

ABB BALDOR RELIANCE III

Customer information packet

VEL11304A

.5HP, 1725RPM, 1PH, 60HZ, 56C, 3424LC, OPEN, F1

Class - None

Division - Not Applicable

Specifications

Enclosure	OPEN
Frame	56C
Frame Material	Steel
Frequency	60.00 Hz
Haz Area Class and Group	None
Haz Area Division	Not Applicable
Motor Letter Type	Cap Start, Cap Run
Output @ Frequency	.500 HP @ 60 HZ
Phase	1
Synchronous Speed @ Frequency	1800 RPM @ 60 HZ
Voltage @ Frequency	115.0 V @ 60 HZ 230.0 V @ 60 HZ
Agency Approvals	CURUSEEV
Ambient Temperature	40 °C
Auxiliary Box	NO AUXILLARY BOX
Auxiliary Box Lead Termination	None
Base Indicator	No Mounting
Bearing Grease Type	Polyrex EM (-20F +300F)
Blower	None
Current @ Voltage	2.300 A @ 230.0 V 2.500 A @ 208.0 V 4.600 A @ 115.0 V
Design Code	N
Drip Cover	Drip Cover
Duty Rating	CONT
Efficiency @ 100% Load	76.2 %
Electrically Isolated Bearing	Not Electrically Isolated
Feedback Device	NO FEEDBACK
Front Shaft Indicator	None
Heater Indicator	No Heater
High Voltage Full Load Amps	2.3 a
Insulation Class	F

Part Detail

Revision	C
Type	AC
Mech. spec.	34H551
Base	
Status	PRD/A
Elec. spec.	34WGR584
Layout	34LYH551
Eff. date	10-29-2024
CD Diagram	CD0703
Poles	04
Leads	7#18
Proprietary	False
Created date	11-07-2018

Inverter Code	Not Inverter
KVA Code	K
Lifting Lugs	No Lifting Lugs
Locked Bearing Indicator	Locked Bearing
Motor Lead Quantity/Wire Size	7 @ 18 AWG
Motor Lead Termination	Flying Leads
Motor Standards	NEMA
Motor Type	3424LC
Mounting Arrangement	F1
Number of Poles	4
Overall Length	12.51 IN
Power Factor	94
Product Family	General Purpose
Pulley End Bearing Type	Ball
Pulley Face Code	C-Face
Pulley Shaft Indicator	Standard
Rodent Screen	None
RoHS Status	ROHS COMPLIANT
Service Factor	1.25
Shaft Diameter	0.625 IN
Shaft Ground Indicator	No Shaft Grounding
Shaft Rotation	Reversible: Connected OPP STD
Shaft Slinger Indicator	No Slinger
Speed	1725 rpm
Speed Code	Single Speed
Starting Method	Direct on line
Thermal Device - Bearing	None
Thermal Device - Winding	None
Vibration Sensor Indicator	No Vibration Sensor
Winding Thermal 1	Automatic Thermal Overload
Winding Thermal 1 Location	SB
Winding Thermal 2	None

Nameplate

NP3273L									
CAT.NO.	VEL11304A								
SPEC.	34H551R584G1								
HP	.5								
VOLTS	115/230								
AMP	4.6/2.3								
RPM	1725								
FRAME	56C	HZ	60	PH	1				
SER.F.	1.25	CODE	K	DES	N	CL	F		
F.L. AVG. EFF.	76.2	PF	94						
RATING	40C AMB-CONT								
CC									
DE	6203	ODE	6203						
ENCL	OPEN	SN							
	SFA 5.9/2.95								

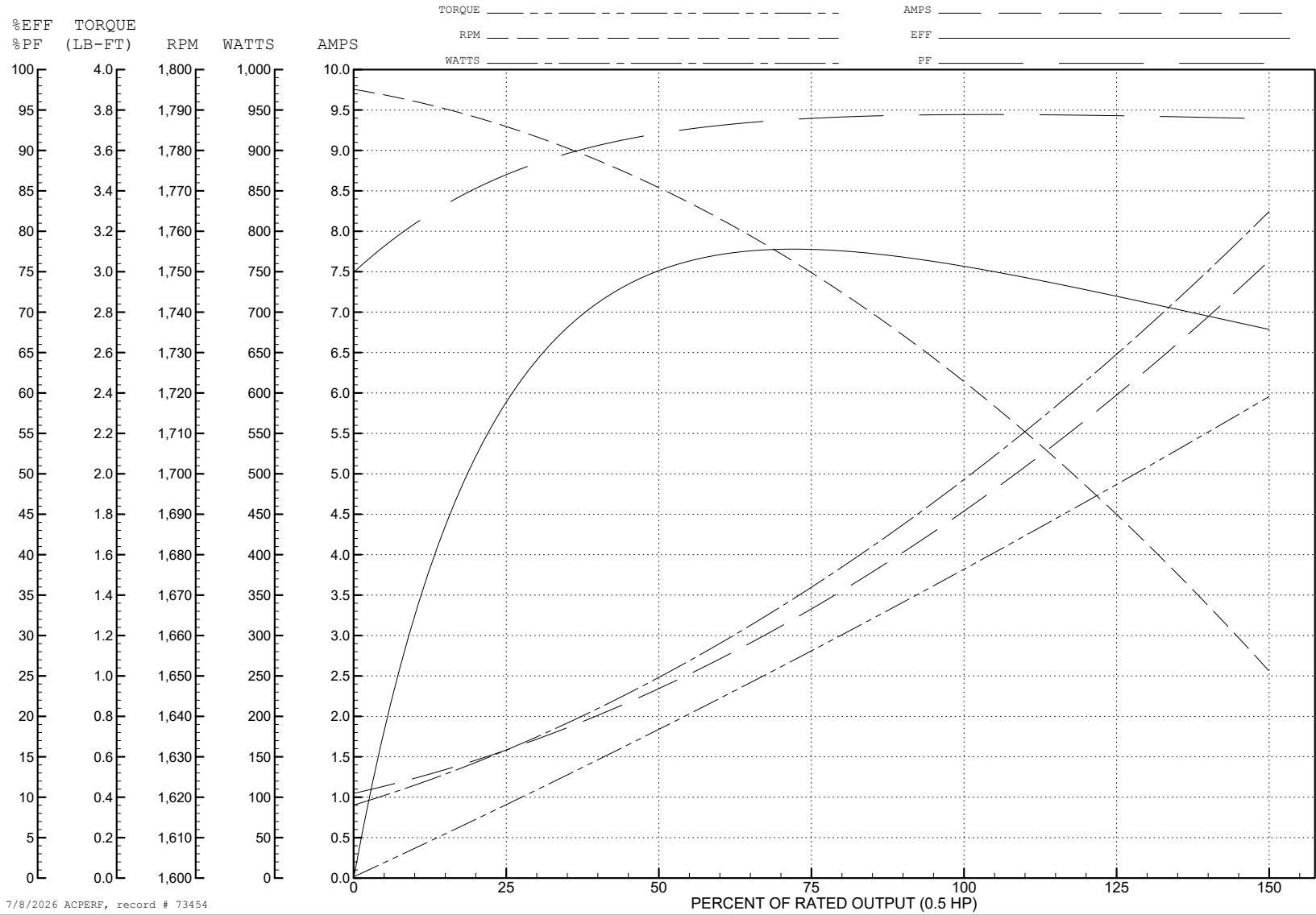
ABB Motors and Mechanical Inc.

WINDING # 34WGR584

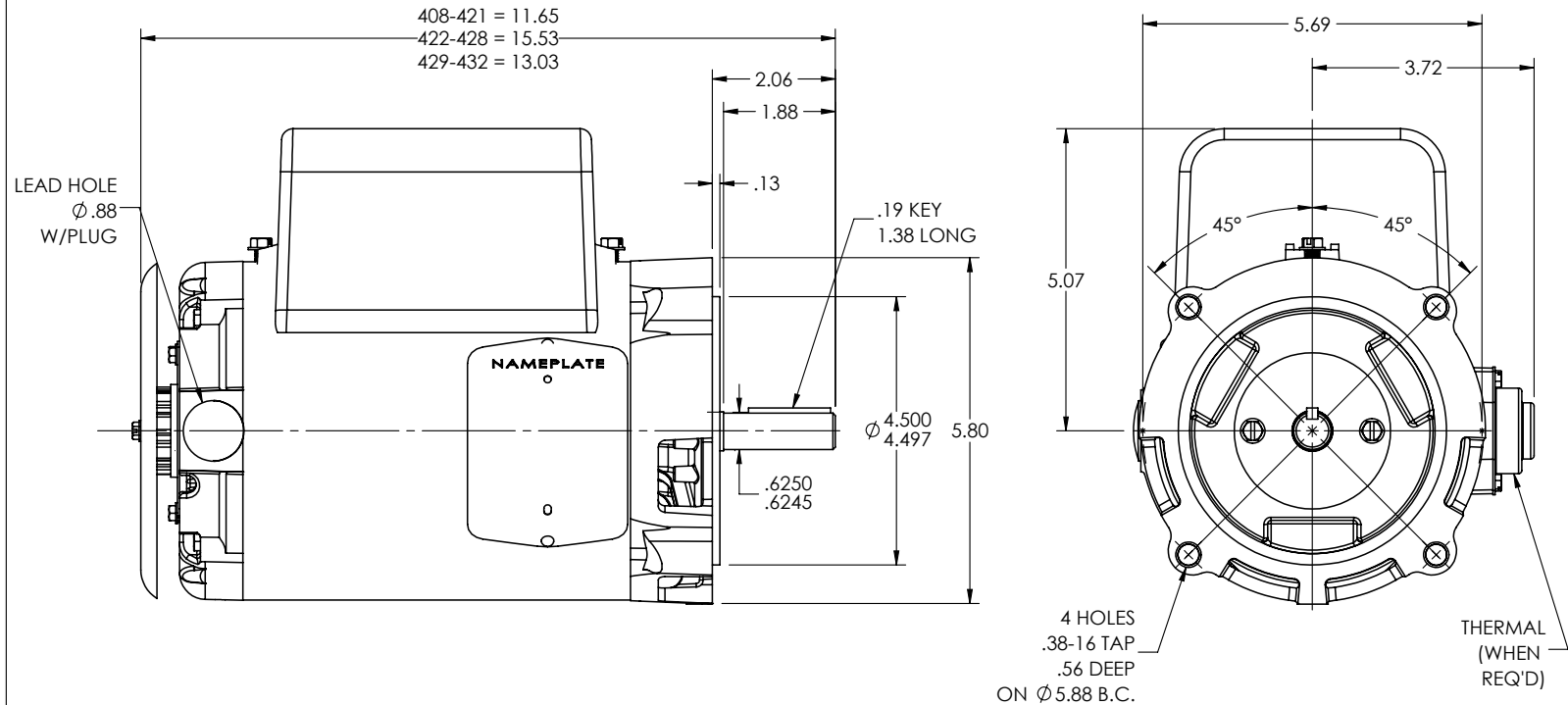
0.5 HP 1 PH 60 HZ 1725 RPM 115 V 3424LC

Typical performance - not guaranteed values.

TORQUES (LB-FT): PO=4.01 PU=3.75 LR=6.42 LRA=31.9



34LYH551



CUSTOMER IS RESPONSIBLE FOR DETERMINING THAT THE PRODUCT WILL PERFORM SUITABLY IN THE INTENDED APPLICATION

REV. DESC: LOAD TO SOLIDWORKS - REV "-"

REV: A VERSION: 01 REVISED: 02:49:47 12/29/2022 TDR: 000001201165

34LYH551

MODEL NO. 34LYH551
BY: ENFRAJ0

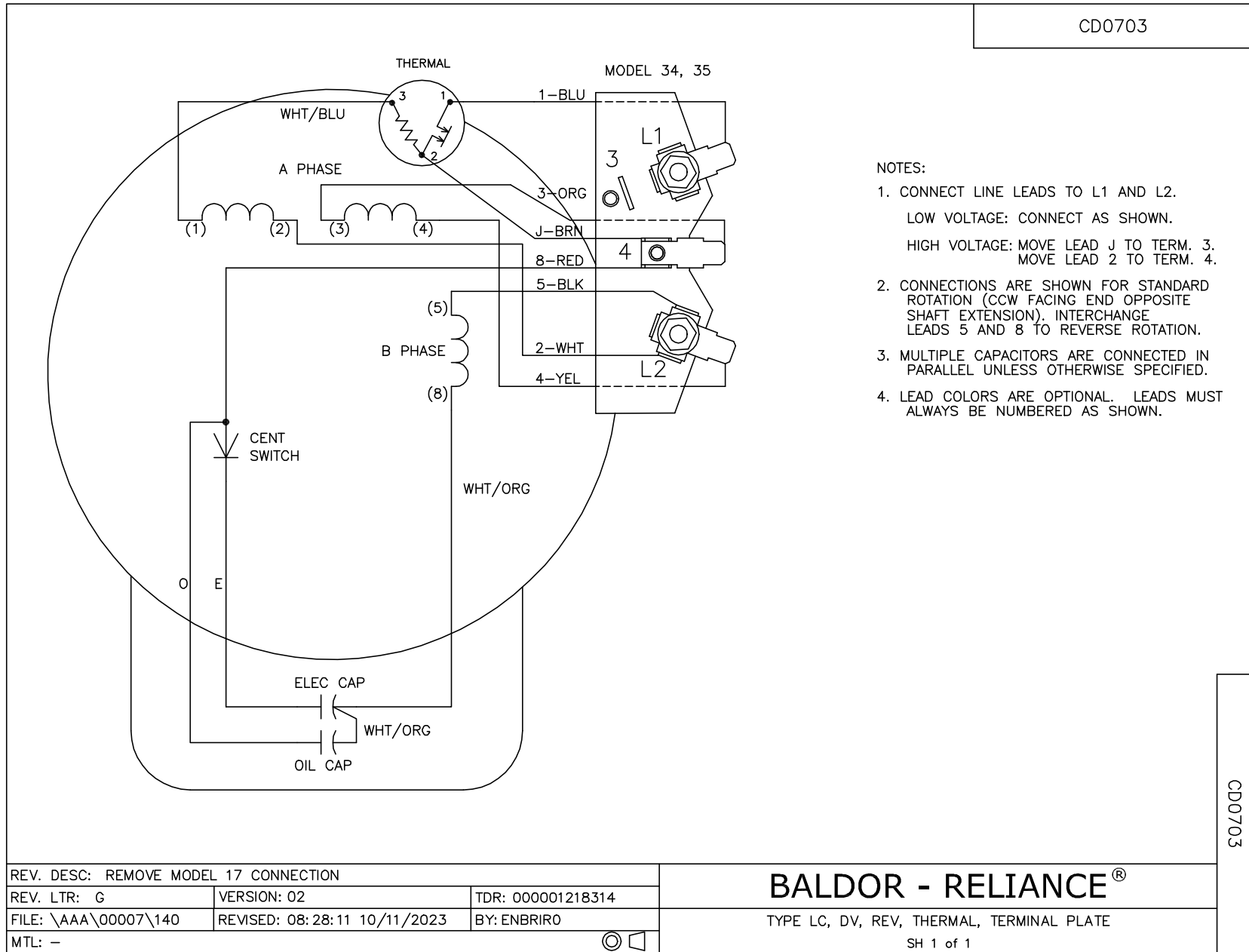
REF: -

BALDOR - RELIANCE®

STD 34LC NEMA 56C OPEN W/TERM PANEL & DRIP COVER

34LYH551

CD0703



CD0703

REV. DESC: REMOVE MODEL 17 CONNECTION		
REV. LTR: G	VERSION: 02	TDR: 000001218314
FILE: \AAA\00007\140	REVISED: 08: 28:11 10/11/2023	BY: ENBRIRO
MTL: -		

BALDOR - RELIANCE®

TYPE LC, DV, REV, THERMAL, TERMINAL PLATE
SH 1 of 1