

**BALDOR® • RELIANCE™**

---

# Customer information packet

## VEL11301A

.33HP, 1740RPM, 1PH, 60HZ, 56C, 3418LC, ODP, F1

Class - None

Division - Not Applicable

## Specifications

Enclosure	ODP
Frame	56C
Frame Material	Steel
Frequency	60.00 Hz
Haz Area Class and Group	None
Haz Area Division	Not Applicable
Motor Letter Type	Cap Start, Cap Run
Output @ Frequency	.330 HP @ 60 HZ
Phase	1
Synchronous Speed @ Frequency	1800 RPM @ 60 HZ
Voltage @ Frequency	115.0 V @ 60 HZ 230.0 V @ 60 HZ
Agency Approvals	UR CSA
Ambient Temperature	40 °C
Auxillary Box	No Auxillary Box
Auxillary Box Lead Termination	None
Base Indicator	No Mounting
Bearing Grease Type	Polyrex EM (-20F +300F)
Blower	None
Current @ Voltage	1.700 A @ 230.0 V 2.100 A @ 208.0 V 3.400 A @ 115.0 V
Design Code	N
Drip Cover	No Drip Cover
Duty Rating	CONT
Efficiency @ 100% Load	72.4 %
Electrically Isolated Bearing	Not Electrically Isolated
Feedback Device	NO FEEDBACK
Front Face Code	Standard
Front Shaft Indicator	Standard
Heater Indicator	No Heater

## Part detail

Revision	G
Type	AC
Mech. spec.	34L588
Base	
Status	PRD/A
Elec. spec.	34WGR213
Layout	34LYL588
Eff. date	09-18-2023
CD Diagram	CD0703
Poles	04
Leads	7#18
Proprietary	False
Created date	02-13-2015

High Voltage Full Load Amps	1.7 a
Insulation Class	F
Inverter Code	Not Inverter
KVA Code	K
Lifting Lugs	No Lifting Lugs
Locked Bearing Indicator	Locked Bearing
Motor Lead Exit	Terminal Panel
Motor Lead Quantity/Wire Size	7 @ 18 AWG
Motor Lead Termination	Flying Leads
Motor Standards	NEMA
Motor Type	3418LC
Mounting Arrangement	F1
Number of Poles	4
Overall Length	11.00 IN
Power Factor	85
Product Family	General Purpose
Pulley End Bearing Type	Ball
Pulley Face Code	C-Face
Pulley Shaft Indicator	Standard
Rodent Screen	None
RoHS Status	ROHS COMPLIANT
Service Factor	1.35
Shaft Diameter	0.625 IN
Shaft Extension Location	Pulley End
Shaft Ground Indicator	No Shaft Grounding
Shaft Rotation	Reversible
Shaft Slinger Indicator	No Slinger
Speed	1740 rpm
Speed Code	Single Speed
Starting Method	Direct on line
Thermal Device - Bearing	None
Thermal Device - Winding	None
Vibration Sensor Indicator	No Vibration Sensor
Winding Thermal 1	Automatic Thermal Overload

**Winding Thermal 1 Location**

**SB**

**Winding Thermal 2**

**None**

**Nameplate**

<b>NP1257L</b>									
<b>CAT.NO.</b>	VEL11301A								
<b>SPEC.</b>	34L588R213G1								
<b>HP</b>	.33								
<b>VOLTS</b>	115/230								
<b>AMP</b>	3.4/1.7								
<b>RPM</b>	1740								
<b>FRAME</b>	56C			<b>HZ</b>	60		<b>PH</b>	1	
<b>SER.F.</b>	1.35	<b>CODE</b>	K	<b>DES</b>	N	<b>CL</b>	F		
<b>NEMA-NOM-EFF</b>	72.4	<b>PF</b>	85						
<b>RATING</b>	40C AMB-CONT								
<b>CC</b>									
<b>DE</b>	6203	<b>ODE</b>	6203						
<b>ENCL</b>	ODP	<b>SN</b>							
	SFA 4.4/2.2								

**AC Induction Motor Performance Data**

Record # 62087

Typical performance - not guaranteed values

<b>Winding:</b> 34WGR213-R005		<b>Type:</b> 3418LC		<b>Enclosure:</b> OPEN	
<b>Nameplate Data</b>			<b>115 V, 60 Hz: Low Voltage Connection</b>		
<b>Rated Output (HP)</b>	.33	<b>Full Load Torque</b>	0.996 LB-FT		
<b>Volts</b>	115/230	<b>Start Configuration</b>	direct on line		
<b>Full Load Amps</b>	3.4/1.7	<b>Breakdown Torque</b>	3.18 LB-FT		
<b>R.P.M.</b>	1740	<b>Pull-up Torque</b>	2.29 LB-FT		
<b>Hz</b>	60 <b>Phase</b>	1	<b>Locked-rotor Torque</b>	4.26 LB-FT	
<b>NEMA Design Code</b>	N <b>KVA Code</b>	K	<b>Starting Current</b>	24.1 A	
<b>Service Factor (S.F.)</b>	1.35		<b>No-load Current</b>	1.69 A	
<b>NEMA Nom. Eff.</b>	72.4 <b>Power Factor</b>	85	<b>Line-line Res. @ 25°C</b>	1.7428 Ω A Ph 5.5858 Ω B Ph	
<b>Rating - Duty</b>	40C AMB-CONT		<b>Temp. Rise @ Rated Load</b>	35°C	
<b>S.F. Amps</b>	4.4/2.2		<b>Temp. Rise @ S.F. Load</b>	42°C	

**Load Characteristics 115 V, 60 Hz, 0.33 HP**

<b>% of Rated Load</b>	<b>25</b>	<b>50</b>	<b>75</b>	<b>100</b>	<b>125</b>	<b>150</b>	<b>S.F.</b>
<b>Power Factor</b>	62	72	81	85	87	89	88
<b>Efficiency</b>	32.1	64.5	69.3	73.5	76.7	73.7	75.5
<b>Speed</b>	1780.3	1770	1754.7	1739.9	1725.3	1703.3	1716
<b>Line amperes</b>	1.96	2.31	2.87	3.43	3.99	4.81	4.32

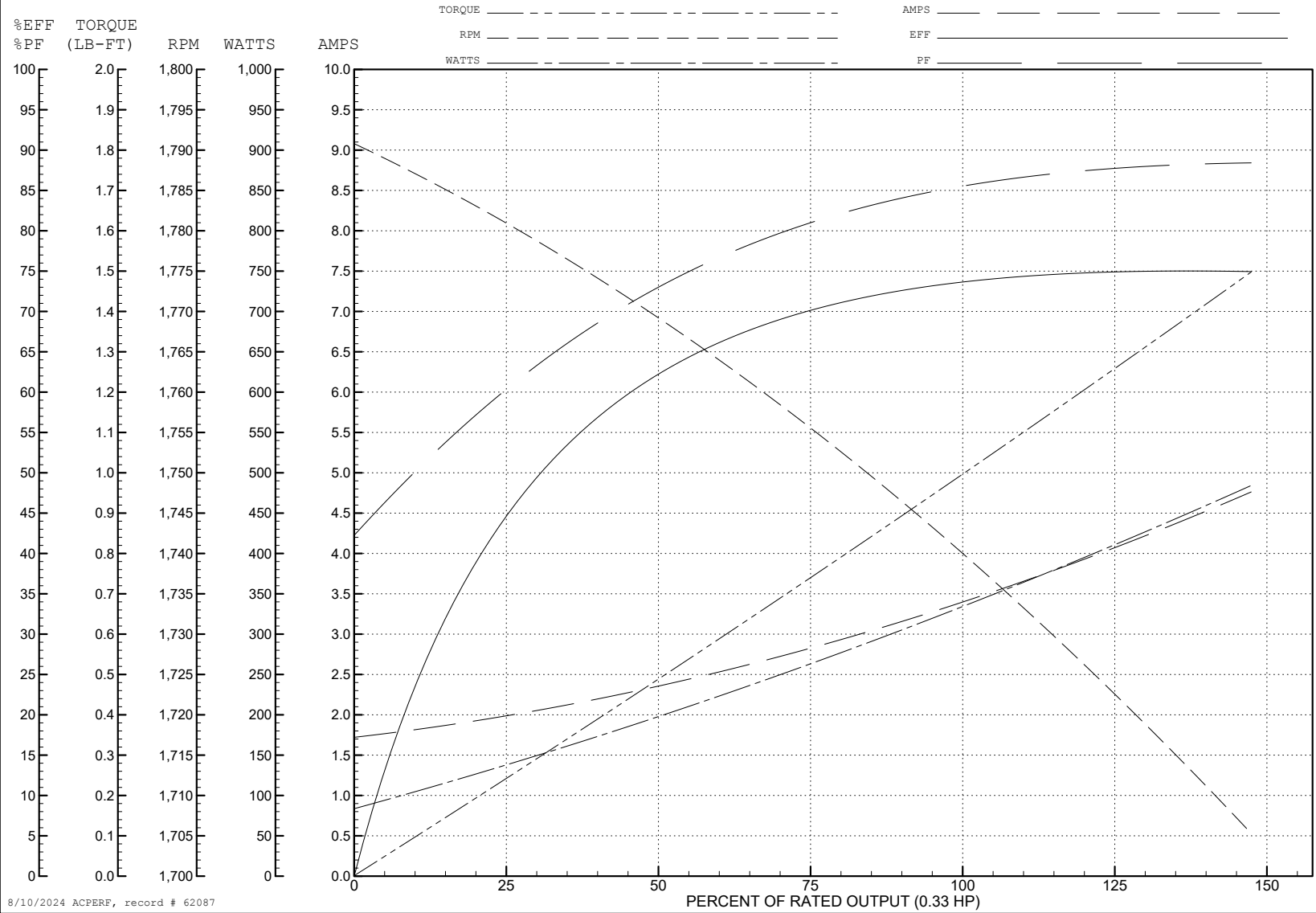
ABB Motors and Mechanical Inc.

WINDING # 34WGR213

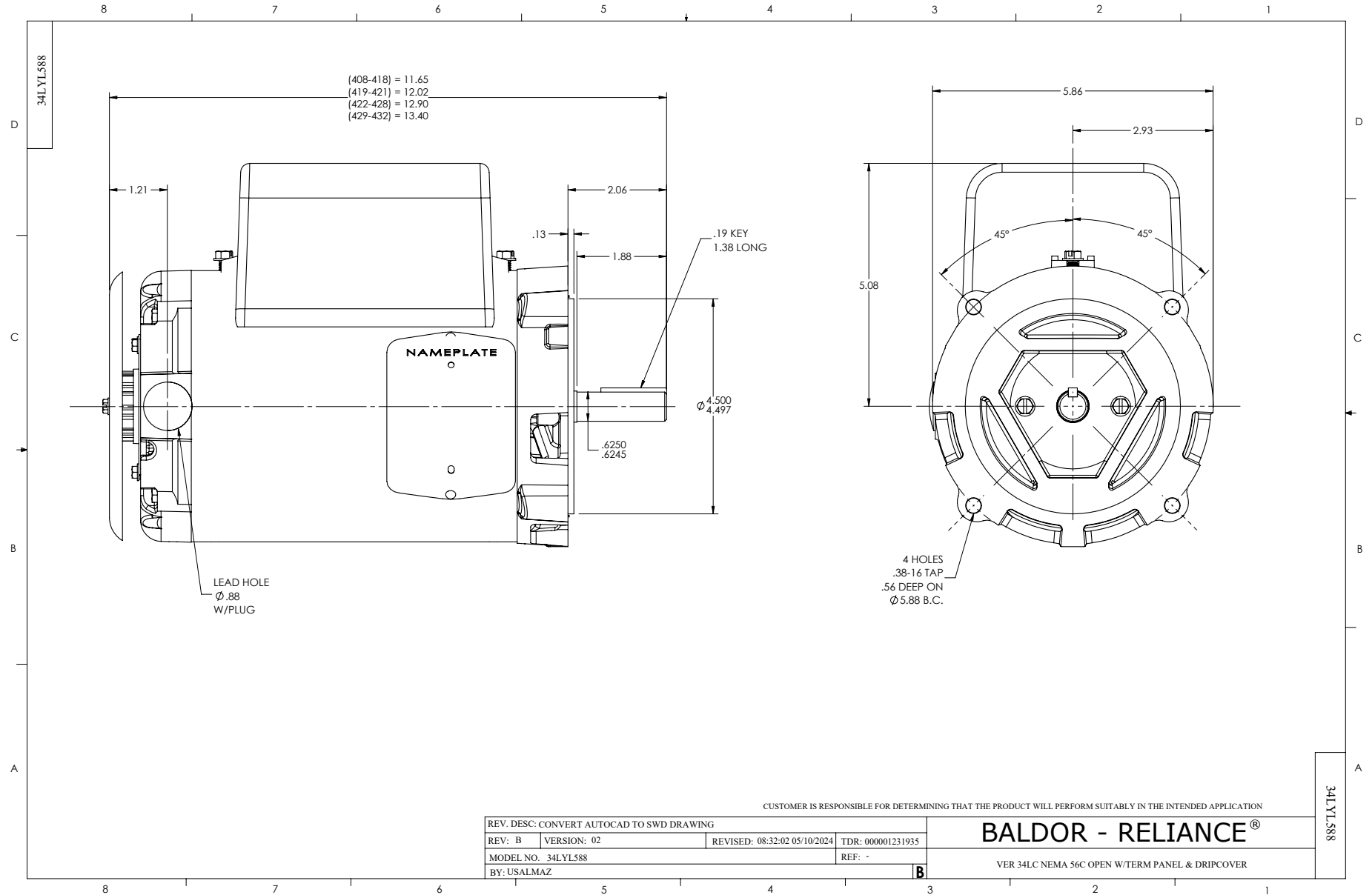
Typical performance - not guaranteed values.

0.33 HP 1 PH 60 HZ 1740 RPM 115 V 3418LC

TORQUES (LB-FT): PO=3.18 PU=2.29 LR=4.26 LRA=24.1

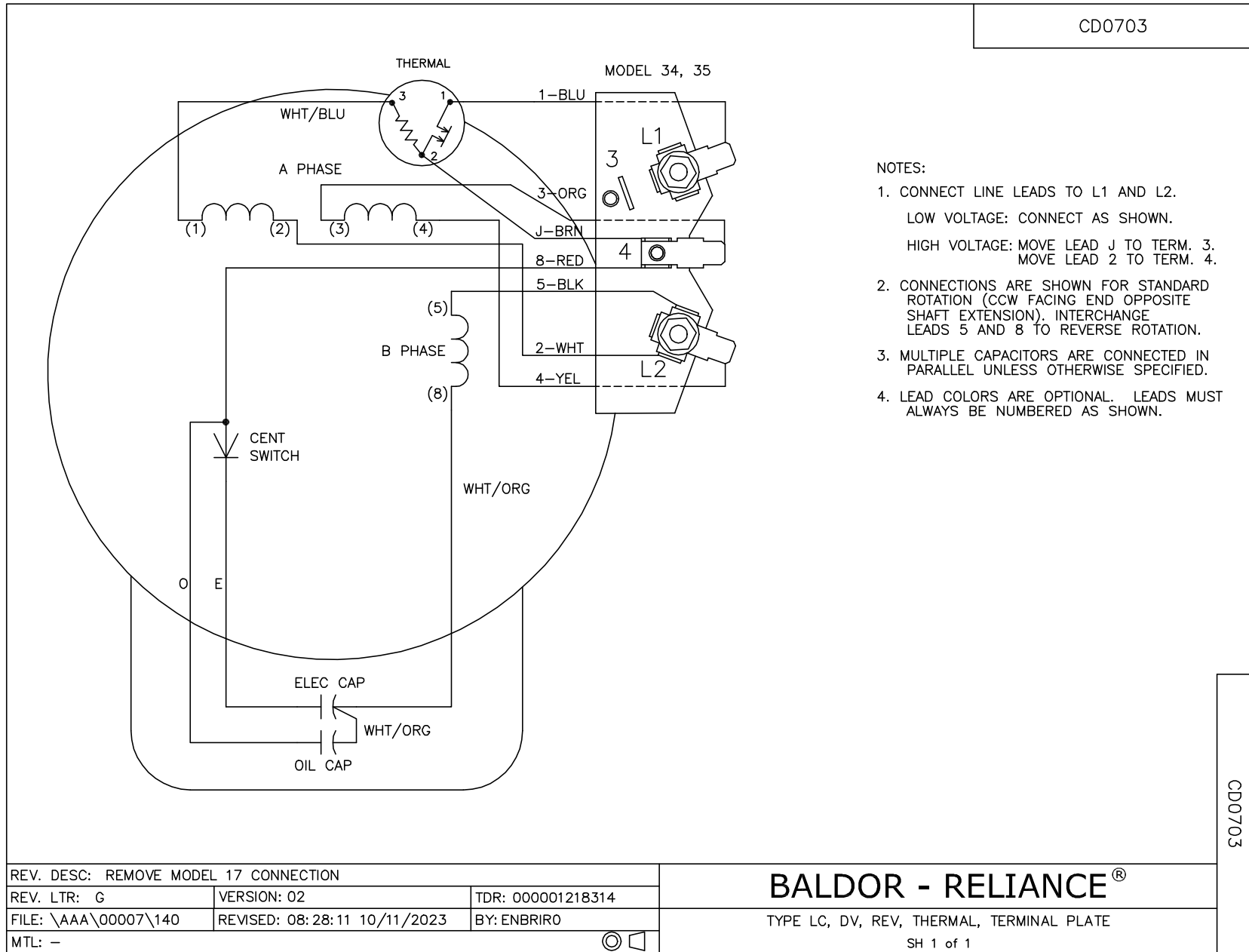


8/10/2024 ACPERF, record # 62087





CD0703



CD0703

REV. DESC: REMOVE MODEL 17 CONNECTION		
REV. LTR: G	VERSION: 02	TDR: 000001218314
FILE: \AAA\00007\140	REVISED: 08:28:11 10/11/2023	BY: ENBRIRO
MTL: -		

**BALDOR - RELIANCE®**

TYPE LC, DV, REV, THERMAL, TERMINAL PLATE  
SH 1 of 1