



---

# Customer information packet

## VEJMM3615T

5HP, 1755RPM, 3PH, 60HZ, 184JM, 3642M, TEFC, F1

Class - None

Division - Not Applicable

## Specifications

Enclosure	TEFC
Frame	184JM
Frame Material	Steel
Frequency	60.00 Hz
Motor Letter Type	Three Phase
Output @ Frequency	5.000 HP @ 60 HZ
Phase	3
Synchronous Speed @ Frequency	1800 RPM @ 60 HZ
Voltage @ Frequency	230.0 V @ 60 HZ 460.0 V @ 60 HZ
XP Class and Group	None
XP Division	Not Applicable
Agency Approvals	CSA CSA EEV NEMA PREMIUM UR
Ambient Temperature	40 °C
Auxillary Box	No Auxillary Box
Auxillary Box Lead Termination	None
Base Indicator	No Mounting
Bearing Grease Type	Polyrex EM (-20F +300F)
Blower	None
Current @ Voltage	6.700 A @ 460.0 V 14.000 A @ 208.0 V 13.400 A @ 230.0 V
Design Code	B
Drip Cover	No Drip Cover
Duty Rating	CONT
Efficiency @ 100% Load	89.5 %
Electrically Isolated Bearing	Not Electrically Isolated
Feedback Device	NO FEEDBACK
Front Shaft Indicator	None

## Part detail

Revision	-
Type	AC
Mech. spec.	36S067
Base	
Status	PRD/A
Elec. spec.	36WGQ032
Layout	36LYS067
Eff. date	12-15-2020
CD Diagram	CD0005
Poles	04
Leads	9#16
Proprietary	False
Created date	12-03-2020

Heater Indicator	No Heater
High Voltage Full Load Amps	6.7 a
Insulation Class	F
Inverter Code	Inverter Ready
KVA Code	J
Lifting Lugs	No Lifting Lugs
Locked Bearing Indicator	Locked Bearing
Motor Lead Quantity/Wire Size	9 @ 16 AWG
Motor Lead Termination	Flying Leads
Motor Standards	NEMA
Motor Type	3642M
Mounting Arrangement	F1
Number of Poles	4
Overall Length	19.55 IN
Power Factor	78
Product Family	General Purpose
Pulley End Bearing Type	Ball
Pulley Face Code	C-Face
Pulley Shaft Indicator	Tapped & Key
Rodent Screen	None
Service Factor	1.15
Shaft Diameter	0.875 IN
Shaft Ground Indicator	No Shaft Grounding
Shaft Rotation	Reversible
Shaft Slinger Indicator	Shaft Slinger
Speed	1755 rpm
Speed Code	Single Speed
Starting Method	Direct on line
Thermal Device - Bearing	None
Thermal Device - Winding	None
Vibration Sensor Indicator	No Vibration Sensor
Winding Thermal 1	None
Winding Thermal 2	None

**Nameplate****NP3441LUA**

<b>CAT.NO.</b>	VEJMM3615T							
<b>SPEC</b>	36S067Q032G1							
<b>HP</b>	5							
<b>VOLTS</b>	230/460							
<b>AMPS</b>	13.4/6.7							
<b>RPM</b>	1755							
<b>FRAME</b>	184JM	<b>HZ</b>	60	<b>PH</b>	3			
<b>SF</b>	1.15	<b>CODE</b>	J	<b>DES</b>	B	<b>CLASS</b>	F	
<b>NEMA NOM. EFF</b>	89.5	<b>PF</b>	78					
<b>RATING</b>	40C AMB-CONT							
<b>CC</b>	010A	<b>USABLE AT 208V</b>				14		
<b>ENCL</b>	TEFC	<b>SER</b>						
<b>DE</b>	6207	<b>ODE</b>	6205					
<b>VPWM INVERTER READY</b>								
<b>CT6-60H(10:1)VT3-60H(20:1)</b>								
	50HZ 5HP 190/380V 15.6/7.8A						SF1.0	

**AC Induction Motor Performance Data**

Record # 89917

Typical performance - not guaranteed values

Winding: 36WGQ032-R001		Type: 3642M	Enclosure: TEFC	
<b>Nameplate Data</b>			<b>460 V, 60 Hz: High Voltage Connection</b>	
Rated Output (HP)	5	Full Load Torque	15 LB-FT	
Volts	230/460	Start Configuration	direct on line	
Full Load Amps	13.4/6.7	Breakdown Torque	53.1 LB-FT	
R.P.M.	1755	Pull-up Torque	23.4 LB-FT	
Hz	60 Phase	Locked-rotor Torque	34.7 LB-FT	
NEMA Design Code	B KVA Code	Starting Current	49.8 A	
Service Factor (S.F.)	1.15	No-load Current	3.31 A	
NEMA Nom. Eff.	89.5 Power Factor	Line-line Res. @ 25°C	2.4 Ω	
Rating - Duty	40C AMB-CONT	Temp. Rise @ Rated Load	71°C	
S.F. Amps		Temp. Rise @ S.F. Load	86°C	
		Locked-rotor Power Factor	40.6635	
		Rotor inertia	0.391 lb-ft <sup>2</sup>	

**Load Characteristics 460 V, 60 Hz, 5 HP**

% of Rated Load	25	50	75	100	125	150	S.F.
Power Factor	38	60	72	79	82	84	81
Efficiency	83.8	88.9	89.8	89.5	88.4	86.8	88.8
Speed	1789	1778	1766	1753	1738	1722	1744
Line amperes	3.64	4.39	5.45	6.66	8.08	9.67	7.51

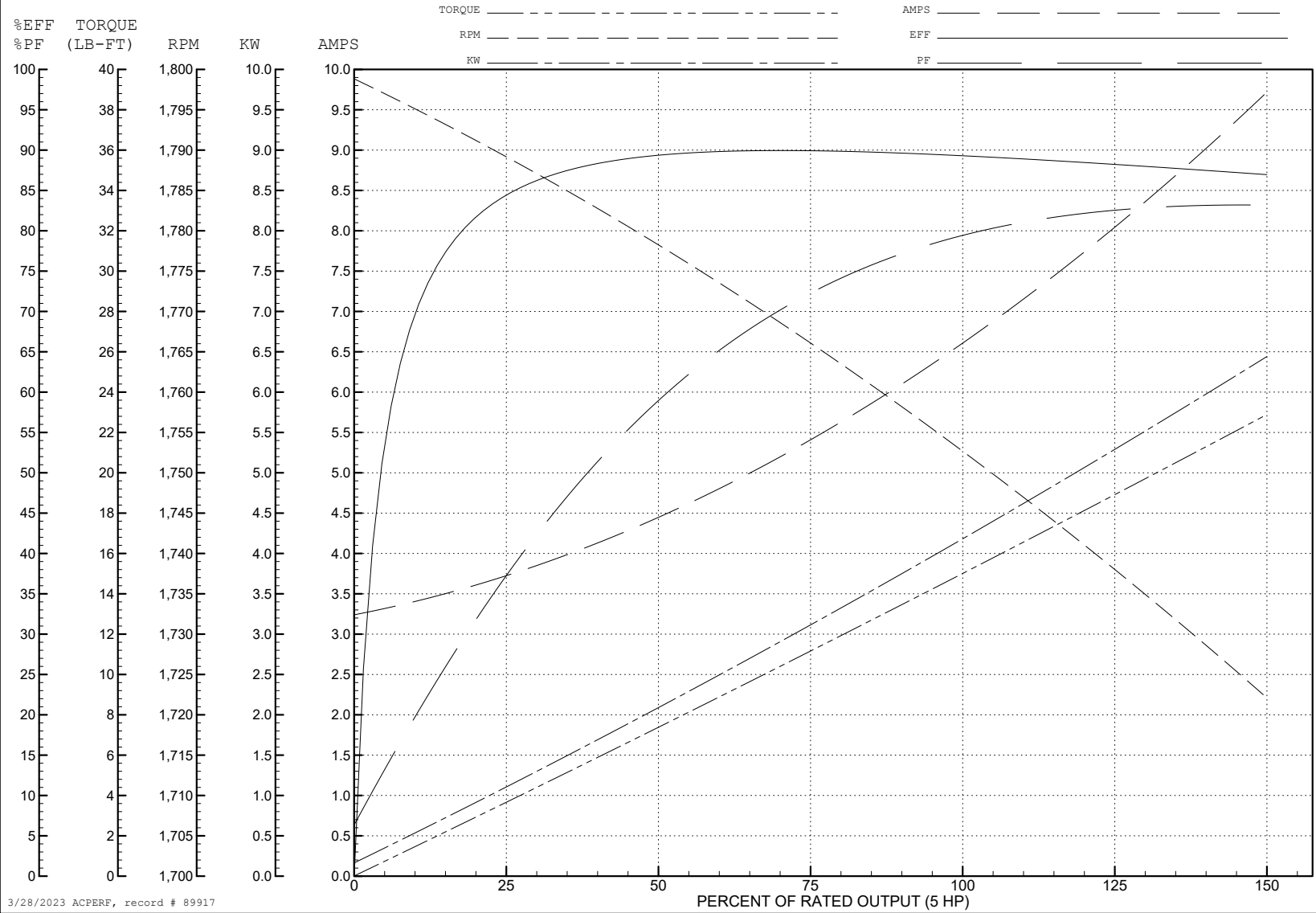
ABB Motors and Mechanical Inc.

WINDING # 36WGQ032

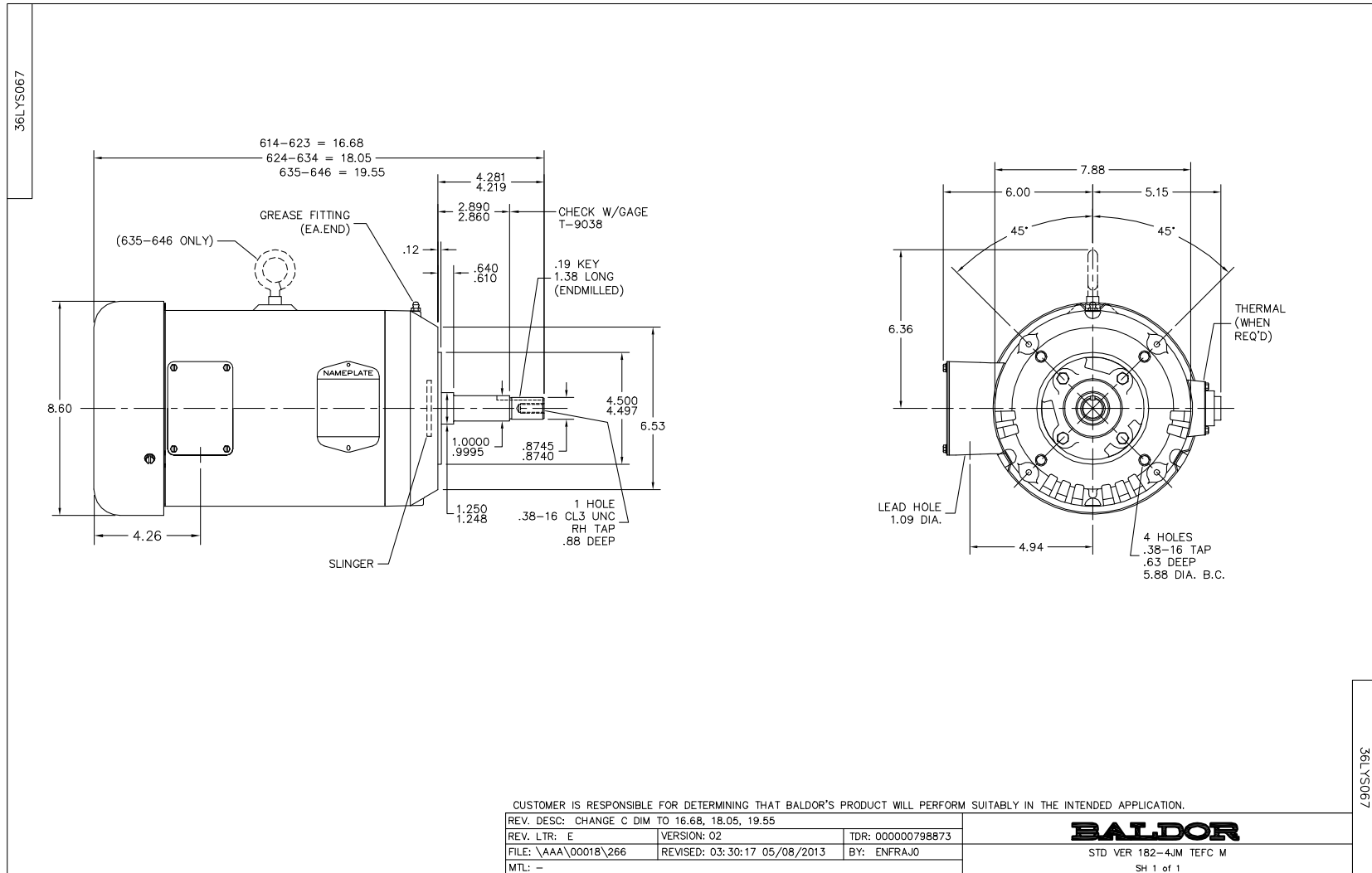
5 HP 3 PH 60 HZ 1755 RPM 460 V 3642M

Typical performance - not guaranteed values.

TORQUES (LB-FT): PO=53.1 PU=23.4 LR=34.7 LRA=49.8



3/28/2023 ACPERF, record # 89917



CD0005



LOW VOLTAGE  
(2Y)



LINE

HIGH VOLTAGE  
(1Y)



LINE

NOTES:

1. INTERCHANGE ANY TWO LINE LEADS TO REVERSE ROTATION.
2. OPTIONAL THERMOSTATS ARE PROVIDED WHEN SPECIFIED.
3. ACTUAL NUMBER OF INTERNAL PARALLEL CIRCUITS MAY BE A MULTIPLE OF THOSE SHOWN ABOVE.
4. LEAD COLORS ARE OPTIONAL. LEADS MUST ALWAYS BE NUMBERED AS SHOWN.

CD0005

REV. DESC: REVISE TO SHOW OPTIONAL COLORS			
REV. LTR: E	BY: JLP	REVISED: 01/19/99 10:15	TDR: 0171435
S00000		FILE: AAA00005140	MDL: -
		MTL: -	

**BALDOR ELECTRIC Co.**

3PH, DV, 9 LEADS