



---

# Customer information packet

## VECP83587T-4

2HP, 1755RPM, 3PH, 60HZ, 145TC, 0526M, TEFC, W6

Class - CLI GP A,B,C,D

Division - Division II

## Specifications

Enclosure	TEFC
Frame	145TC
Frame Material	Iron
Frequency	60.00 Hz
Haz Area Class and Group	CL I GP A,B,C,D
Haz Area Division	Division II
Motor Letter Type	Three Phase
Output @ Frequency	2.000 HP @ 60 HZ
Phase	3
Synchronous Speed @ Frequency	1800 RPM @ 60 HZ
Voltage @ Frequency	460.0 V @ 60 HZ
Agency Approvals	CCSA US CSA EEV NEMA PREMIUM NEMA_PREMIUM UR
Ambient Temperature	40 °C
Auxiliary Box	NO AUXILLARY BOX
Auxiliary Box Lead Termination	None
Base Indicator	No Mounting
Bearing Grease Type	Polyrex EM (-20F +300F)
Blower	None
Constant Torque Speed Range	1.5
Current @ Voltage	2.800 A @ 460.0 V
Design Code	B
Drip Cover	Drip Cover
Duty Rating	CONT
Efficiency @ 100% Load	86.5 %
Electrically Isolated Bearing	Not Electrically Isolated
Feedback Device	NO FEEDBACK
Front Shaft Indicator	None
Haz Area Temp Code	T4

## Part detail

Revision	E
Type	AC
Mech. spec.	05F161
Base	
Status	PRD/A
Elec. spec.	05WGX549
Layout	05LYF161
Eff. date	03-24-2026
CD Diagram	CD0006
Poles	04
Leads	3#18 Y
Proprietary	False
Created date	03-11-2022

Heater Indicator	No Heater
High Voltage Full Load Amps	2.8 a
Insulation Class	F
Inverter Code	Inverter Duty
KVA Code	L
Lifting Lugs	Standard Lifting Lugs
Locked Bearing Indicator	Locked Bearing
Max Speed	2700 rpm
Motor Lead Quantity/Wire Size	3 @ 18 AWG
Motor Lead Termination	Ring Terminals
Motor Standards	NEMA
Motor Type	0526M
Mounting Arrangement	W6
Number of Poles	4
Overall Length	14.56 IN
Power Factor	74
Product Family	Chem Process S/P 32-8 IEEE 841
Pulley End Bearing Type	Ball
Pulley Face Code	C-Face
Pulley Shaft Indicator	Standard
Rodent Screen	None
Service Factor	1.15
Shaft Diameter	0.875 IN
Shaft Ground Indicator	No Shaft Grounding
Shaft Rotation	Reversible
Shaft Slinger Indicator	No Slinger
Speed	1755 rpm
Speed Code	Single Speed
Starting Method	Direct on line
Thermal Device - Bearing	None
Thermal Device - Winding	None
Vibration Sensor Indicator	No Vibration Sensor
Winding Thermal 1	None
Winding Thermal 2	None

**Nameplate**

<b>NP4328</b>									
<b>CAT.NO.</b>	VECP83587T-4								
<b>SPEC.</b>	05F161X549G1								
<b>HP</b>	2 TE	<b>IP</b>	56						
<b>VOLTS</b>	460								
<b>AMPS</b>	2.8								
<b>R.P.M.</b>	1755								
<b>FRAME</b>	145TC	<b>HZ</b>	60	<b>PH</b>	3				
<b>SER.F.</b>	1.15	<b>CODE</b>	L	<b>DES.</b>	B	<b>CLASS</b>	F		
<b>RATING</b>	40C AMB-CONT								
<b>SN</b>									
<b>DE</b>	6205	<b>ODE</b>	6205						
<b>NEMA NOM. EFF.</b>	86.5	<b>P.F.</b>	74						
<b>GUAR. MIN. EFF.</b>	84	<b>CC</b>	010A						
<b>T. CODE</b>	T4	<b>TEMP=</b>	135						

**NP3186**

<b>SPEC.</b>	05F161X549G1		
<b>ABMA DE BRG</b>	25BC02X30X		
<b>ABMA ODE BRG</b>	25BC02X30X		
<b>GREASE</b>	POLYREX EM		
<b>MOTOR WEIGHT</b>	65	<b>ROTOR BARS</b>	27
		<b>STATOR BARS</b>	36
<b>MAX. R.P.M.</b>	2700	<b>MAX. KVAR</b>	0.64
	SFA 3.2		
<b>INV.TYPE</b>	PWM		
<b>T=</b>	135		
<b>CHP</b>	60	<b>TO</b>	90
<b>CT</b>	1.5	<b>TO</b>	60
<b>VT</b>	0-	<b>TO</b>	60
<b>HTR-VOLTS</b>		<b>HTR-AMPS</b>	
<b>HTR-WATTS</b>		<b>MAX. SPACE HEATER TEMP.</b>	

**AC Induction Motor Performance Data**

Record # 81971

Typical performance - not guaranteed values

<b>Winding:</b> 05WGX549-R001		<b>Type:</b> 0526M		<b>Enclosure:</b> TEFC	
<b>Nameplate Data</b>			<b>460 V, 60 Hz: Single Voltage Motor</b>		
<b>Rated Output (HP)</b>	2	<b>Full Load Torque</b>	5.98 LB-FT		
<b>Volts</b>	460	<b>Start Configuration</b>	direct on line		
<b>Full Load Amps</b>	2.8	<b>Breakdown Torque</b>	23.5 LB-FT		
<b>R.P.M.</b>	1755	<b>Pull-up Torque</b>	11.5 LB-FT		
<b>Hz</b>	60	<b>Locked-rotor Torque</b>	15.6 LB-FT		
<b>NEMA Design Code</b>	B	<b>Starting Current</b>	22.7 A		
<b>Service Factor (S.F.)</b>	1.15	<b>No-load Current</b>	1.69 A		
<b>NEMA Nom. Eff.</b>	86.5	<b>Line-line Res. @ 25°C</b>	9.71 Ω		
<b>Rating - Duty</b>	40C	<b>Temp. Rise @ Rated Load</b>	40°C		
<b>S.F. Amps</b>	3.2	<b>Temp. Rise @ S.F. Load</b>	48°C		
		<b>Locked-rotor Power Factor</b>	58.1		
		<b>Rotor inertia</b>	0.188 lb-ft <sup>2</sup>		

**Load Characteristics 460 V, 60 Hz, 2 HP**

<b>% of Rated Load</b>	<b>25</b>	<b>50</b>	<b>75</b>	<b>100</b>	<b>125</b>	<b>150</b>	<b>S.F.</b>
<b>Power Factor</b>	34	55	69	76	81	84	79
<b>Efficiency</b>	77.7	85.3	86.9	86.8	85.8	84.2	86.2
<b>Speed</b>	1790	1781	1772	1762	1751	1739	1755
<b>Line amperes</b>	1.75	1.99	2.37	2.83	3.36	3.96	3.15

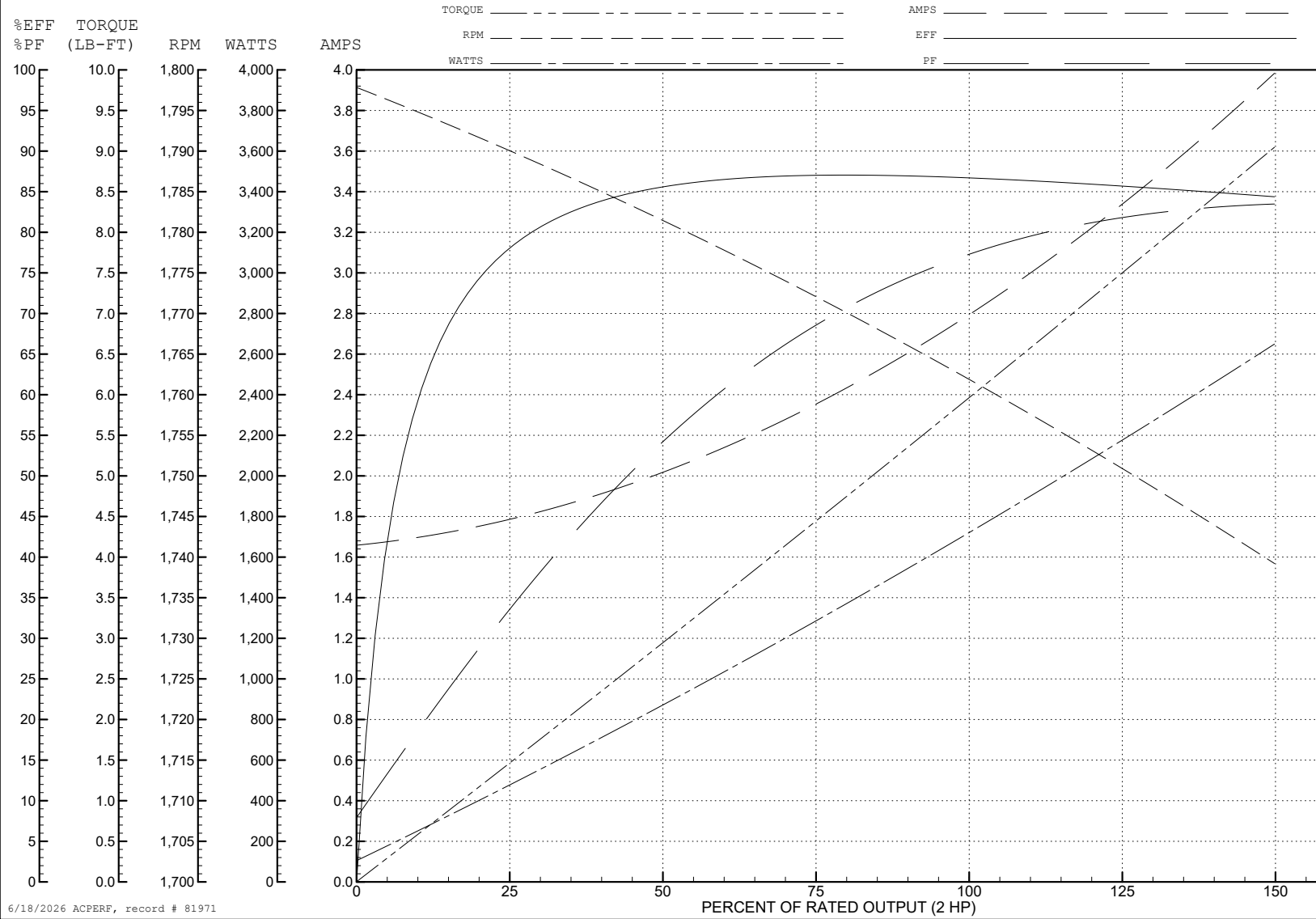
ABB Motors and Mechanical Inc.

WINDING # 05WGX549

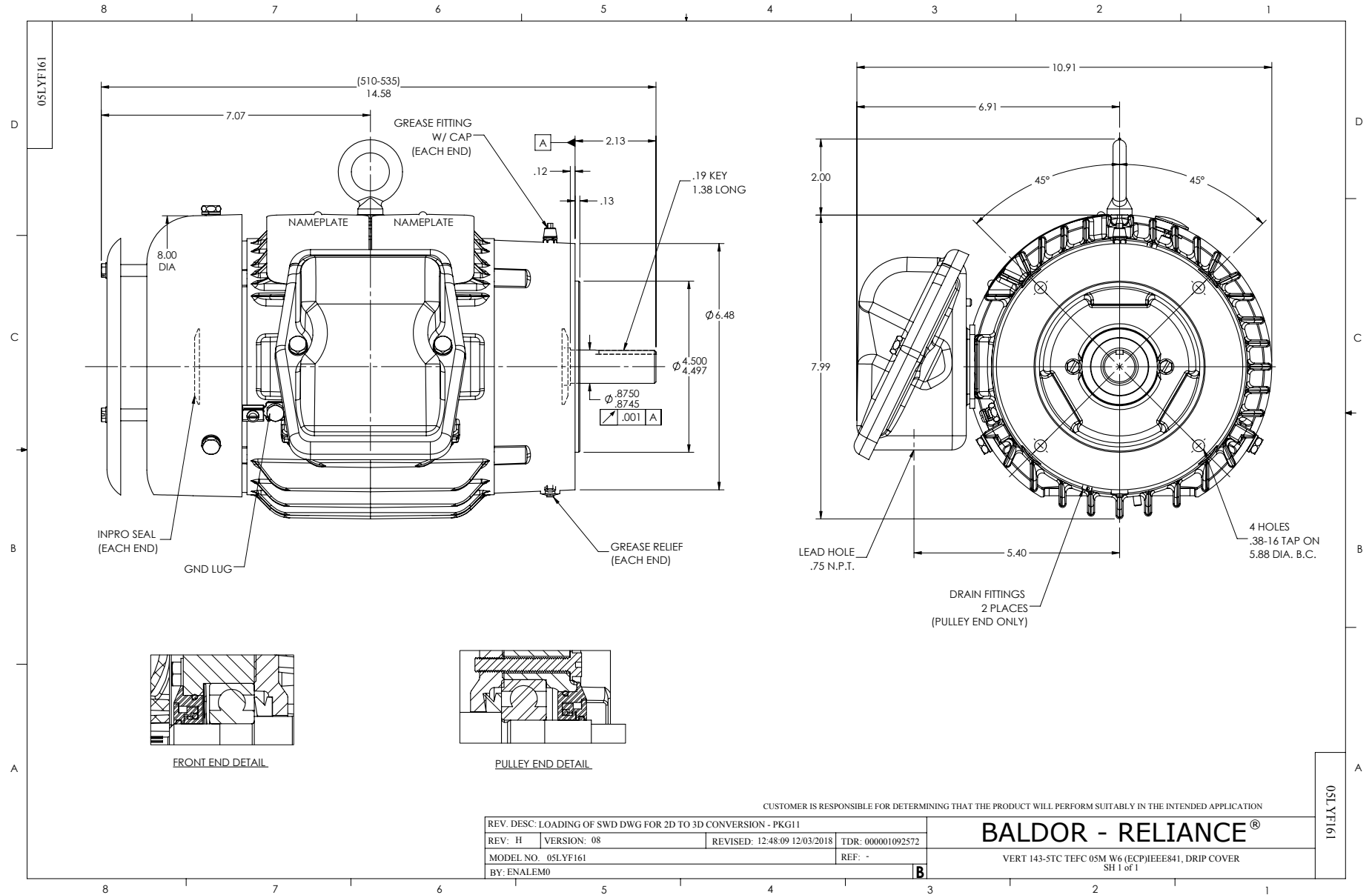
2 HP 3 PH 60 HZ 1755 RPM 460 V 0526M

Typical performance - not guaranteed values.

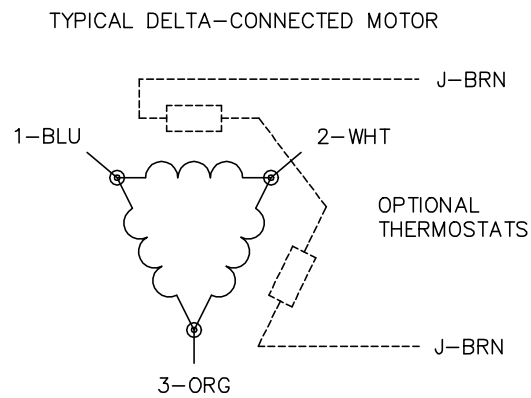
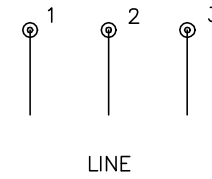
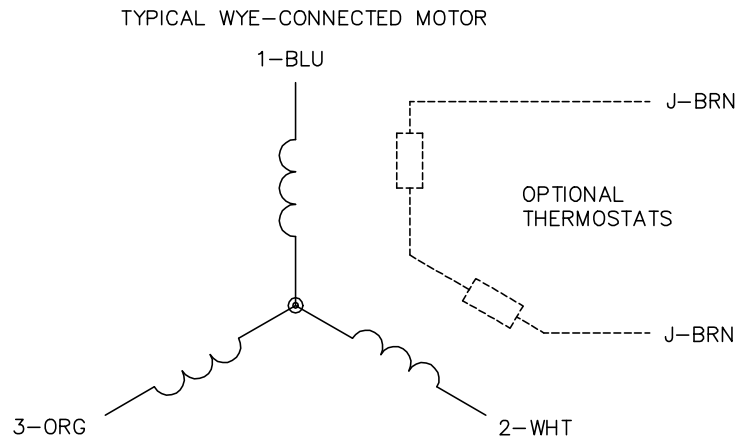
TORQUES (LB-FT): PO=23.5 PU=11.5 LR=15.6 LRA=22.7



6/18/2026 ACPERF, record # 81971



CD0006



NOTES:

1. THREE LEAD MOTOR MAY BE EITHER WYE CONNECTED OR DELTA CONNECTED.
2. INTERCHANGE ANY TWO LINE LEADS TO REVERSE ROTATION.
3. OPTIONAL THERMOSTATS ARE PROVIDED WHEN SPECIFIED.
4. ACTUAL NUMBER OF INTERNAL PARALLEL CIRCUITS MAY VARY.
5. LEAD COLORS ARE OPTIONAL. LEADS MUST BE NUMBERED AS SHOWN.

CD0006

REV. DESC: ADD CLASS CONN00000007		
REV. LTR: E	VERSION: 01	TDR: 000001099922
FILE: \AAA\00005\141	REVISED: 10:24:49 02/19/2019	BY: ENBRIRO
MTL: -	© □	

**BALDOR - RELIANCE®**

3PH, SV, 3 LEADS, WYE OR DELTA CONNECTED

SH 1 of 1