



Customer information packet

VECP82334T-4

20HP, 1760RPM, 3PH, 60HZ, 256TC, 0964M, TEFC, F
Class - CLI GP A,B,C,D
Division - Division II

Specifications

Enclosure	TEFC
Frame	256TC
Frame Material	Iron
Frequency	60.00 Hz
Haz Area Class and Group	CL I GP A,B,C,D
Haz Area Division	Division II
Motor Letter Type	Three Phase
Output @ Frequency	20.000 HP @ 60 HZ
Phase	3
Synchronous Speed @ Frequency	1800 RPM @ 60 HZ
Voltage @ Frequency	460.0 V @ 60 HZ
Agency Approvals	CCSA US CSA EEV NEMA PREMIUM NEMA_PREMIUM UR
Ambient Temperature	40 °C
Auxillary Box	No Auxillary Box
Auxillary Box Lead Termination	None
Base Indicator	No Mounting
Bearing Grease Type	Polyrex EM (-20F +300F)
Blower	None
Constant Torque Speed Range	0-
Current @ Voltage	23.000 A @ 460.0 V
Design Code	B
Drip Cover	No Drip Cover
Duty Rating	CONT
Efficiency @ 100% Load	93.0 %
Electrically Isolated Bearing	Not Electrically Isolated
Feedback Device	NO FEEDBACK
Front Face Code	Standard
Front Shaft Indicator	None

Part detail

Revision	V
Type	AC
Mech. spec.	09K208
Base	
Status	PRD/A
Elec. spec.	09WGT417
Layout	09LYK208
Eff. date	02-01-2024
CD Diagram	CD0006
Poles	04
Leads	3#12
Proprietary	False
Created date	06-30-2017

Haz Area Temp Code	T3C
Heater Indicator	No Heater
High Voltage Full Load Amps	23.0 a
Insulation Class	F
Inverter Code	Inverter Duty
KVA Code	G
Lifting Lugs	Standard Lifting Lugs
Locked Bearing Indicator	Locked Bearing
Max Speed	2700 rpm
Motor Lead Exit	Ko Box
Motor Lead Quantity/Wire Size	3 @ 12 AWG
Motor Lead Termination	Ring Terminals
Motor Standards	NEMA
Motor Type	0964M
Mounting Arrangement	F1
Number of Poles	4
Overall Length	25.28 IN
Power Factor	87
Product Family	Chem Process S/P 32-8 IEEE 841
Pulley End Bearing Type	Ball
Pulley Face Code	C-Face
Pulley Shaft Indicator	Standard
Rodent Screen	None
Service Factor	1.15
Shaft Diameter	1.625 IN
Shaft Extension Location	Pulley End
Shaft Ground Indicator	No Shaft Grounding
Shaft Rotation	Reversible
Shaft Slinger Indicator	No Slinger
Speed	1760 rpm
Speed Code	Single Speed
Starting Method	Direct on line
Thermal Device - Bearing	None
Thermal Device - Winding	None

Vibration Sensor Indicator**No Vibration Sensor****Winding Thermal 1****None****Winding Thermal 2****None**

Nameplate

NP4332

STK.NO.	VECP82334T-4	P/N		ENCLOSURE	TEFC
SPEC.	09K208T417	CC	010A	FRAME	256TC
HP	20	CLASS	F	HZ	60
RPM	1760	RPM MAX	2700	ODE BRG	6309
VOLT	460	PH	3	DES	B
AMP	23	DE BRG		D.E. BRG.	45BC03X30X
RATING	40C AMB-CONT	KVA-CODE	G	O.D.E. BRG.	45BC03X30X
NEMA-NOM-EFF	93	MOTOR WEIGHT	355	GREASE	POLYREX EM
G.MIN.EFF	91.7	MAX. KVAR	3.6	BLANK	
TEMP CODE	T3C	# OF ROTOR BARS	40	SER.F.	1.15
TEMP =	160	# OF STATOR SLOTS	48	IP	56
CT HZ FROM	0-	PF	87	INV.TYPE	PWM
HTR-VOLTS		INVERTER-TEMP-CODE	180		
HTR-AMPS		C HP FR	60	C HP TO	90
HTR-WATTS		CT HZ TO	60		
MAX. SPACE HEATER TEMP.				VT HZ FROM	0
				VT HZ TO	60

AC Induction Motor Performance Data

Record # 92352

Typical performance - not guaranteed values

Winding: 09WGT417-R001		Type: 0964M	Enclosure: TEFC	
Nameplate Data			460 V, 60 Hz: Single Voltage Motor	
Rated Output (HP)	20	Full Load Torque	59.51 LB-FT	
Volts	460	Start Configuration	direct on line	
Full Load Amps	23	Breakdown Torque	185 LB-FT	
R.P.M.	1760	Pull-up Torque	94.7 LB-FT	
Hz	60	Locked-rotor Torque	115 LB-FT	
NEMA Design Code	B	Starting Current	145 A	
Service Factor (S.F.)	1.15	No-load Current	7 A	
NEMA Nom. Eff.	93	Line-line Res. @ 25°C	0.41873 Ω	
Rating - Duty	40C AMB-CONT	Temp. Rise @ Rated Load	60°C	
S.F. Amps		Temp. Rise @ S.F. Load	76°C	
		Locked-rotor Power Factor	29.4	

Load Characteristics 460 V, 60 Hz, 20 HP

% of Rated Load	25	50	75	100	125	150	S.F.
Power Factor	58	78	85	88	88	88	88
Efficiency	91.4	93.8	93.9	93	92.3	91	92.7
Speed	1792.1	1783.4	1774.6	1764.6	1754	1740.6	1758
Line amperes	8.93	12.8	17.6	22.9	28.7	35.1	26.4

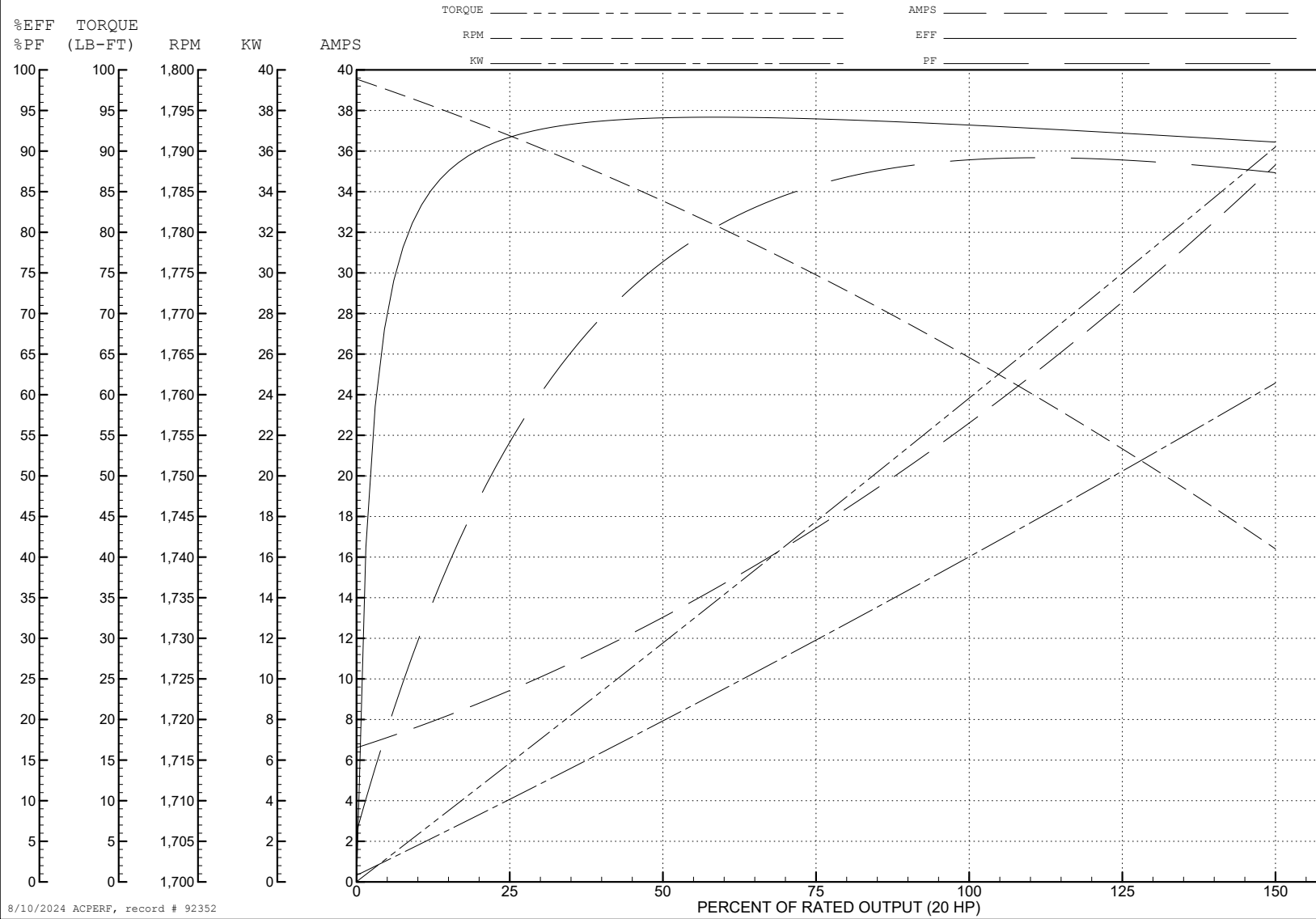
ABB Motors and Mechanical Inc.

WINDING # 09WGT417

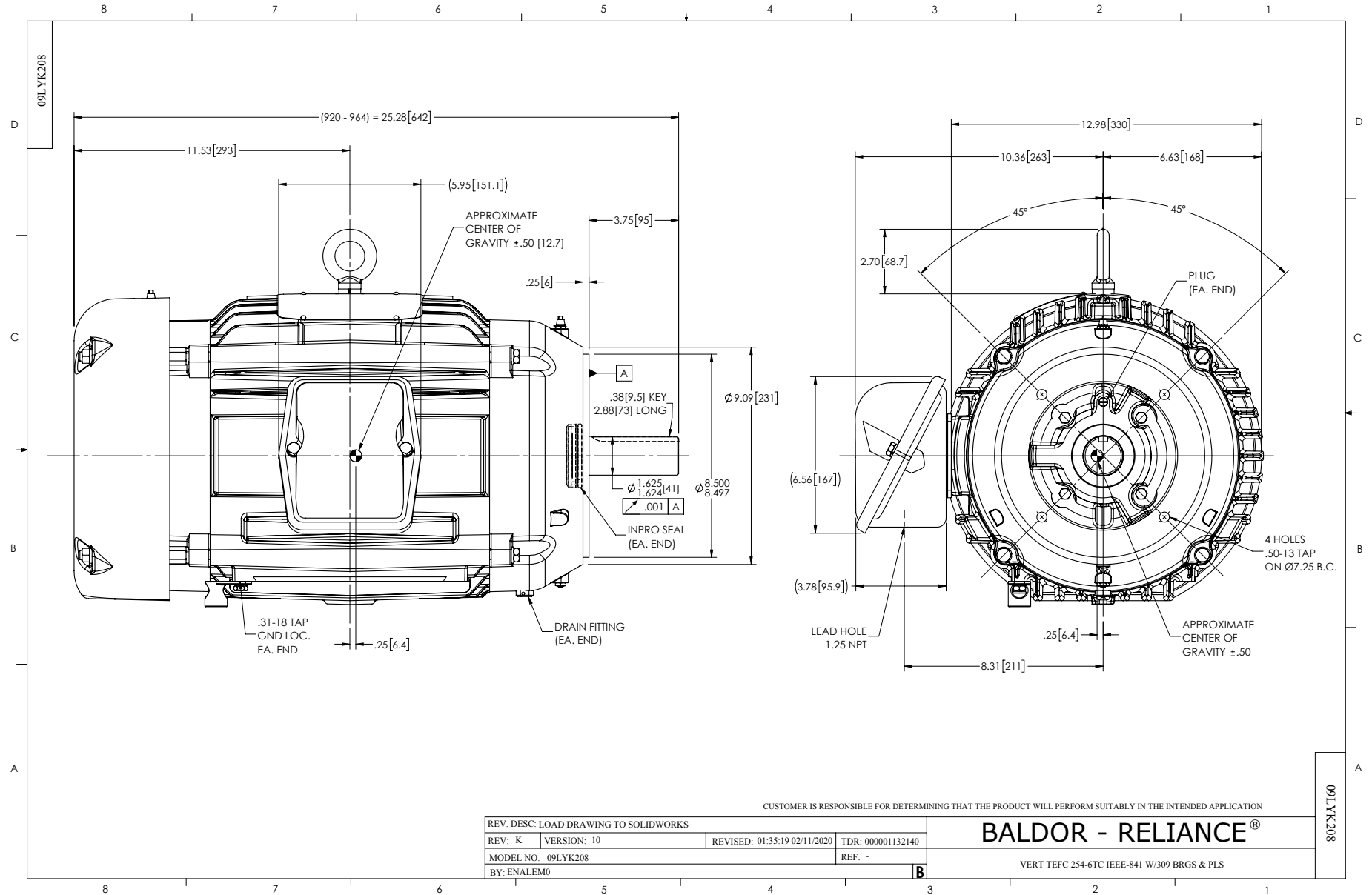
Typical performance - not guaranteed values.

20 HP 3 PH 60 HZ 1760 RPM 460 V 0964M

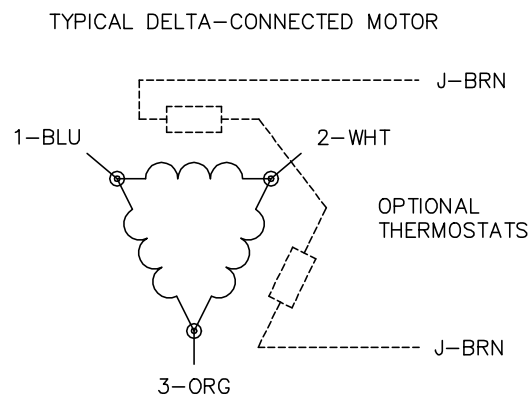
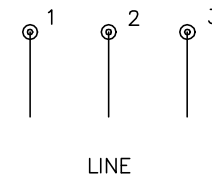
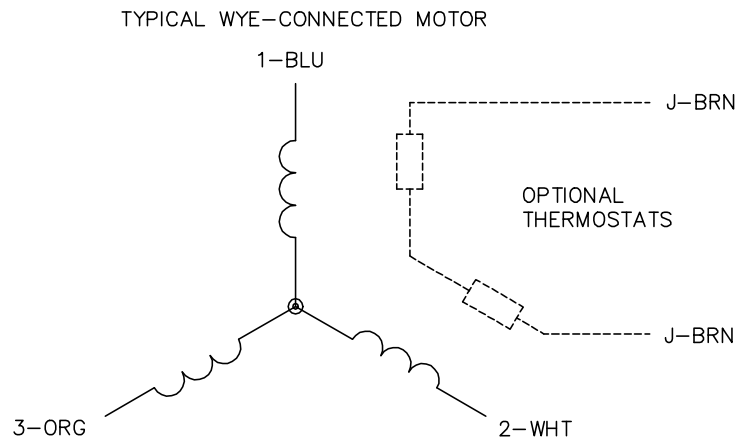
TORQUES (LB-FT): PO=185 PU=94.7 LR=115 LRA=145



8/10/2024 ACPERF, record # 92352



CD0006



NOTES:

1. THREE LEAD MOTOR MAY BE EITHER WYE CONNECTED OR DELTA CONNECTED.
2. INTERCHANGE ANY TWO LINE LEADS TO REVERSE ROTATION.
3. OPTIONAL THERMOSTATS ARE PROVIDED WHEN SPECIFIED.
4. ACTUAL NUMBER OF INTERNAL PARALLEL CIRCUITS MAY VARY.
5. LEAD COLORS ARE OPTIONAL. LEADS MUST BE NUMBERED AS SHOWN.

CD0006

REV. DESC: ADD CLASS CONN00000007		
REV. LTR: E	VERSION: 01	TDR: 000001099922
FILE: \AAA\00005\141	REVISED: 10:24:49 02/19/2019	BY: ENBRIRO
MTL: -		© □

BALDOR - RELIANCE®

3PH, SV, 3 LEADS, WYE OR DELTA CONNECTED

SH 1 of 1