

BALDOR • RELIANCE

Customer information packet

VECP4103T

25HP, 1775RPM, 3PH, 60HZ, 284TC, 1054M, TEFC, F

Class - CLI GP A,B,C,D

Division - Division II

Specifications

Enclosure	TEFC
Frame	284TC
Frame Material	Iron
Frequency	60.00 Hz
Haz Area Class and Group	CLI GP A,B,C,D
Haz Area Division	Division II
Motor Letter Type	Three Phase
Output @ Frequency	25.000 HP @ 60 HZ
Phase	3
Synchronous Speed @ Frequency	1800 RPM @ 60 HZ
Voltage @ Frequency	460.0 V @ 60 HZ 230.0 V @ 60 HZ
Agency Approvals	CCSA US CSA EEV NEMA PREMIUM NEMA_PREMIUM UR
Ambient Temperature	40 °C
Auxillary Box	No Auxillary Box
Auxillary Box Lead Termination	None
Base Indicator	No Mounting
Bearing Grease Type	Polyrex EM (-20F +300F)
Blower	None
Constant Torque Speed Range	0.8
Current @ Voltage	64.000 A @ 208.0 V 62.000 A @ 230.0 V 31.000 A @ 460.0 V
Design Code	A
Drip Cover	Drip Cover
Duty Rating	CONT
Efficiency @ 100% Load	93.6 %
Electrically Isolated Bearing	Not Electrically Isolated

Part detail

Revision	K
Type	AC
Mech. spec.	10G312
Base	
Status	PRD/A
Elec. spec.	10WGZ651
Layout	10LYG312
Eff. date	07-19-2023
CD Diagram	CD0180
Poles	04
Leads	9#10 Y
Proprietary	False
Created date	10-19-2017

Feedback Device	NO FEEDBACK
Front Face Code	Standard
Front Shaft Indicator	None
Haz Area Temp Code	T3C
Heater Indicator	No Heater
High Voltage Full Load Amps	31.0 a
Insulation Class	F
Inverter Code	Inverter Duty
KVA Code	J
Lifting Lugs	Standard Lifting Lugs
Locked Bearing Indicator	Locked Bearing
Max Speed	2700 rpm
Motor Lead Exit	Ko Box
Motor Lead Quantity/Wire Size	9 @ 10 AWG
Motor Lead Termination	Flying Leads
Motor Standards	NEMA
Motor Type	1054M
Mounting Arrangement	F1
Number of Poles	4
Overall Length	30.70 IN
Power Factor	81
Product Family	Super-E Chemical Processing
Pulley End Bearing Type	Ball
Pulley Face Code	C-Face
Pulley Shaft Indicator	Standard
Rodent Screen	None
Service Factor	1.15
Shaft Diameter	1.875 IN
Shaft Extension Location	Pulley End
Shaft Ground Indicator	No Shaft Grounding
Shaft Rotation	Reversible
Shaft Slinger Indicator	Shaft Slinger
Speed	1775 rpm
Speed Code	Single Speed

Starting Method	Direct on line
Thermal Device - Bearing	None
Thermal Device - Winding	None
Vibration Sensor Indicator	No Vibration Sensor
Winding Thermal 1	None
Winding Thermal 2	None

Nameplate

NP3241

CAT.NO.	VECP4103T	P/N		ENCLOSURE	TEFC
SPEC.	10G312Z651G1	CC	010A	FRAME	284TC
HP	25	CLASS	F	HZ	60
RPM	1775	RPM MAX	2700	PH	3
VOLT	230/460	MOTOR WEIGHT	515	KVA-CODE	J
AMP	62/31	SER.F.	1.15	PF	81
RATING	40C AMB-CONT	NEMA-NOM-EFF	93.6	ODE BRG	6311
				DE BRG	6311
				GREASE	POLYREX EM
				INV.TYPE	PWM
TEMP CODE	T3C	INVERTER-TEMP-CODE	180		
TEMP =	160	C HP FR	60	C HP TO	90
CT HZ FROM	0.8	CT HZ TO	60		
HTR-VOLTS		HTR-AMPS		HTR-WATTS	
				MAX. SPACE HEATER TEMP.	
				VT HZ FROM	0
				VT HZ TO	60

AC Induction Motor Performance Data

Record # 67465

Typical performance - not guaranteed values

Winding: 10WGZ651-R006		Type: 1054M		Enclosure: TEFC	
Nameplate Data			460 V, 60 Hz: High Voltage Connection		
Rated Output (HP)	25		Full Load Torque	74.02 LB-FT	
Volts	230/460		Start Configuration	direct on line	
Full Load Amps	62/31		Breakdown Torque	262 LB-FT	
R.P.M.	1775		Pull-up Torque	118 LB-FT	
Hz	60 Phase	3	Locked-rotor Torque	142 LB-FT	
NEMA Design Code	A KVA Code	J	Starting Current	223 A	
Service Factor (S.F.)	1.15		No-load Current	13.6 A	
NEMA Nom. Eff.	93.6 Power Factor	81	Line-line Res. @ 25°C	0.2345 Ω	
Rating - Duty	40C AMB-CONT		Temp. Rise @ Rated Load	51°C	
S.F. Amps			Temp. Rise @ S.F. Load	61°C	
			Locked-rotor Power Factor	30.6	

Load Characteristics 460 V, 60 Hz, 25 HP

% of Rated Load	25	50	75	100	125	150	S.F.
Power Factor	43	65	76	81	84	85	83
Efficiency	88.3	92.8	93.9	94	93.7	93.1	93.8
Speed	1794.1	1789.3	1783.5	1777.8	1770.8	1763.8	1774
Line amperes	15.3	19.3	24.6	30.6	37.2	44.5	34.6

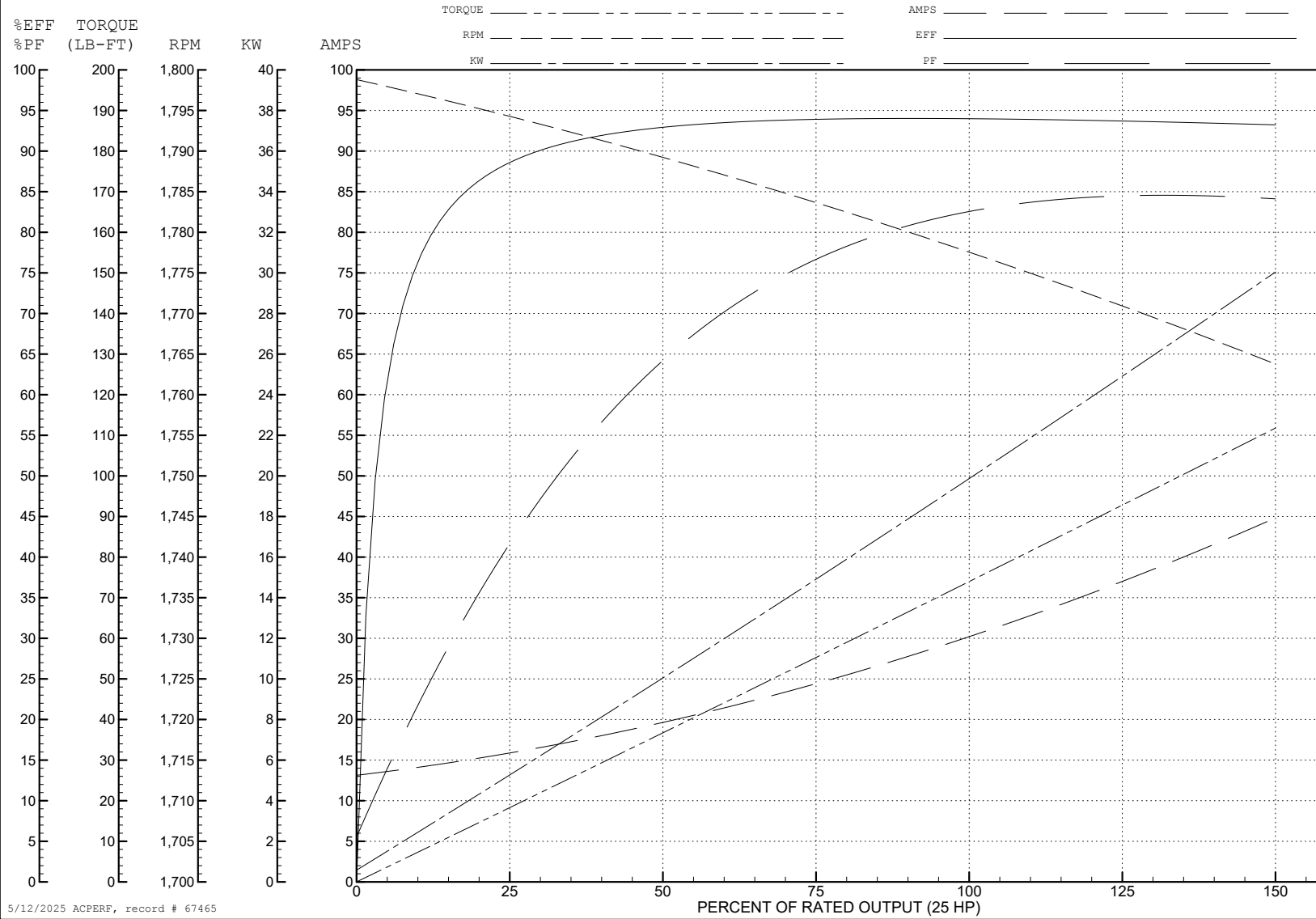
ABB Motors and Mechanical Inc.

WINDING # 10WGZ651

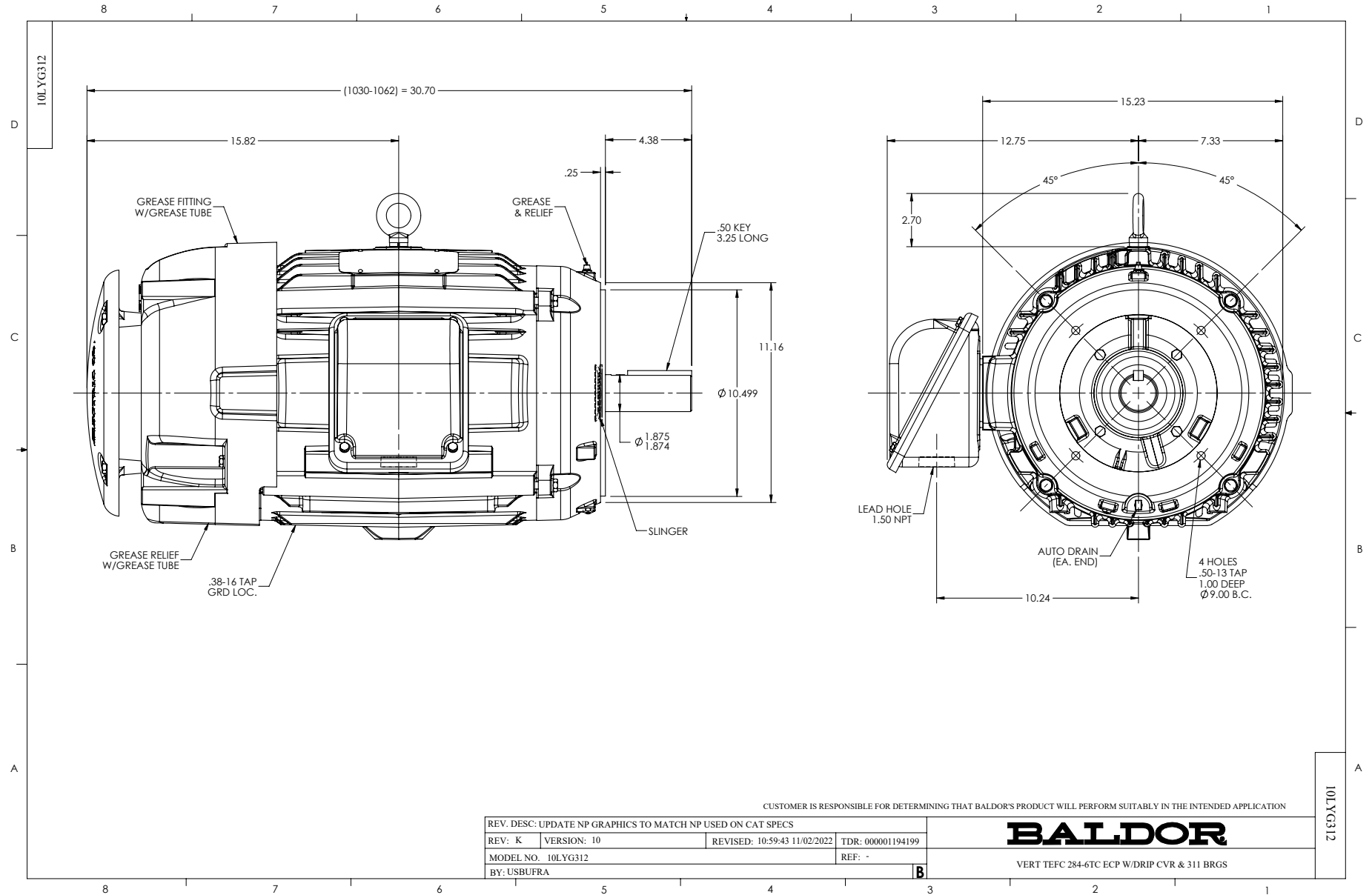
Typical performance - not guaranteed values.

25 HP 3 PH 60 HZ 1775 RPM 460 V 1054M

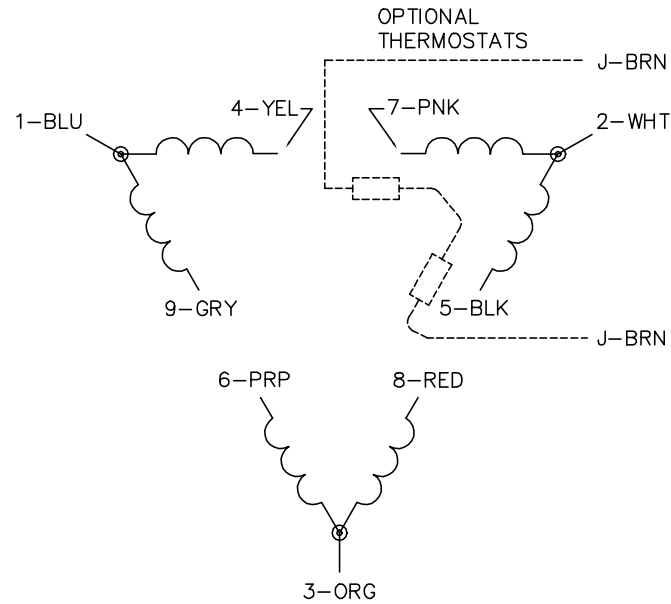
TORQUES (LB-FT): PO=262 PU=118 LR=142 LRA=223



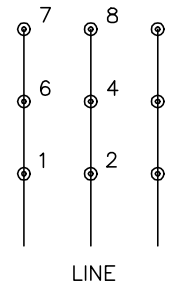
5/12/2025 ACPERF, record # 67465



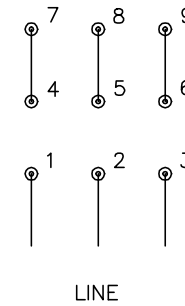
CD0180



LOW VOLTAGE
(2D)



HIGH VOLTAGE
(1D)



NOTES:

1. INTERCHANGE ANY TWO LINE LEADS TO REVERSE ROTATION.
2. OPTIONAL THERMOSTATS ARE PROVIDED WHEN SPECIFIED.
3. ACTUAL NUMBER OF INTERNAL PARALLEL CIRCUITS MAY BE A MULTIPLE OF THOSE SHOWN ABOVE.
4. LEAD COLORS ARE OPTIONAL. LEADS MUST ALWAYS BE NUMBERED AS SHOWN.

CD0180

REV. DESC: ADD CLASS CONN00000007		
REV. LTR: D	VERSION: 01	TDR: 000001099922
FILE: \AAA\00005\148	REVISED: 10: 25: 29 02/19/2019	BY: ENBRIRO
MTL: -	© □	

BALDOR - RELIANCE®

3PH, DV, 9 LEADS, DELTA CONNECTION

SH 1 of 1