



Customer information packet

VECP3771T-4

10HP, 3500RPM, 3PH, 60HZ, 215TC, 0742M, TEFC, F
Class - CLI GP A,B,C,D
Division - Division II

Specifications

Enclosure	TEFC
Frame	215TC
Frame Material	Iron
Frequency	60.00 Hz
Motor Letter Type	Three Phase
Output @ Frequency	10.000 HP @ 60 HZ
Phase	3
Synchronous Speed @ Frequency	3600 RPM @ 60 HZ
Voltage @ Frequency	460.0 V @ 60 HZ
XP Class and Group	CL I GP A,B,C,D
XP Division	Division II
Agency Approvals	CCSA US CSA CSA EEV UR
Ambient Temperature	40 °C
Auxillary Box	No Auxillary Box
Auxillary Box Lead Termination	None
Base Indicator	No Mounting
Bearing Grease Type	Polyrex EM (-20F +300F)
Blower	None
Constant Torque Speed Range	6
Current @ Voltage	11.000 A @ 460.0 V
Design Code	B
Drip Cover	Drip Cover
Duty Rating	CONT
Efficiency @ 100% Load	92.4 %
Electrically Isolated Bearing	Not Electrically Isolated
Feedback Device	NO FEEDBACK
Front Face Code	Standard
Front Shaft Indicator	None
Heater Indicator	No Heater

Part detail

Revision	X
Type	AC
Mech. spec.	07K370
Base	
Status	PRD/A
Elec. spec.	07WGY826
Layout	07LYK370
Eff. date	09-09-2022
CD Diagram	CD0006
Poles	02
Leads	3#14
Proprietary	False
Created date	11-29-2011

High Voltage Full Load Amps	11.0 a
Insulation Class	F
Inverter Code	Inverter Duty
KVA Code	H
Lifting Lugs	Standard Lifting Lugs
Locked Bearing Indicator	Locked Bearing
Max Speed	5400 rpm
Motor Lead Exit	Ko Box
Motor Lead Quantity/Wire Size	3 @ 14 AWG
Motor Lead Termination	Flying Leads
Motor Standards	NEMA
Motor Type	0742M
Mounting Arrangement	F1
Number of Poles	2
Overall Length	21.36 IN
Power Factor	90
Product Family	Chemical Processing (Not DC)
Pulley End Bearing Type	Ball
Pulley Face Code	C-Face
Pulley Shaft Indicator	Standard
Rodent Screen	None
Service Factor	1.15
Shaft Diameter	1.375 IN
Shaft Extension Location	Pulley End
Shaft Ground Indicator	No Shaft Grounding
Shaft Rotation	Reversible
Shaft Slinger Indicator	Shaft Slinger
Speed	3500 rpm
Speed Code	Single Speed
Starting Method	Direct on line
Thermal Device - Bearing	None
Thermal Device - Winding	None
Vibration Sensor Indicator	No Vibration Sensor
Winding Thermal 1	None

Winding Thermal 2

None

XP Temp Code

T3C

Nameplate

NP3257									
CAT.NO.	VECP3771T-4								
SPEC.	07K370Y826G1								
HP	10 TE								
VOLTS	460								
AMP	11								
RPM	3500								
FRAME	215TC	HZ	60	PH	3				
SER.F.	1.15	CODE	H	DES	B	CL	F		
RATING	40C AMB-CONT								
SN									
DE	6307	ODE	6307						
NEMA-NOM-EFF	92.4	PF	90						
G.MIN.EFF	91.0	CC	010A						
T. CODE	T3C	T=	160						

NP3260			
SPEC.	07K370Y826G1		
D.E. BRG.	35BC03XP30X		
O.D.E. BRG.	35BC03XP30X		
GREASE	POLYREX EM		
RPM MAX	5400	MAX. KVAR	N/A
BLANK			
INV.TYPE	PWM		
T=	160		
C HP FR	60	C HP TO	90
CT HZ FROM	6	CT HZ TO	60
VT HZ FROM	3	VT HZ TO	60
HTR-VOLTS		HTR-AMPS	
HTR-WATTS		MAX. SPACE HEATER TEMP.	

AC Induction Motor Performance Data

Record # 47087

Typical performance - not guaranteed values

Winding: 07WGY826-R022		Type: 0742M		Enclosure: TEFC	
Nameplate Data			460 V, 60 Hz: Single Voltage Motor		
Rated Output (HP)	10	Full Load Torque	14.9 LB-FT		
Volts	460	Start Configuration	direct on line		
Full Load Amps	11	Breakdown Torque	70.8 LB-FT		
R.P.M.	3500	Pull-up Torque	24.2 LB-FT		
Hz	60	Locked-rotor Torque	32.6 LB-FT		
NEMA Design Code	B	Starting Current	88.5 A		
Service Factor (S.F.)	1.15	No-load Current	3.61 A		
NEMA Nom. Eff.	92.4	Line-line Res. @ 25°C	0.745 Ω		
Rating - Duty	40C	Temp. Rise @ Rated Load	40°C		
S.F. Amps	AMB-CONT	Temp. Rise @ S.F. Load	50°C		
		Locked-rotor Power Factor	30.1		
		Rotor inertia	0.383 LB-FT ²		

Load Characteristics 460 V, 60 Hz, 10 HP

% of Rated Load	25	50	75	100	125	150	S.F.
Power Factor	58	79	88	91	92	91	91
Efficiency	90	92.4	92.7	92.4	91.2	89.9	90.4
Speed	3578	3555	3529	3503	3474	3441	3515
Line amperes	4.43	6.32	8.64	11.1	13.9	17.1	13.1

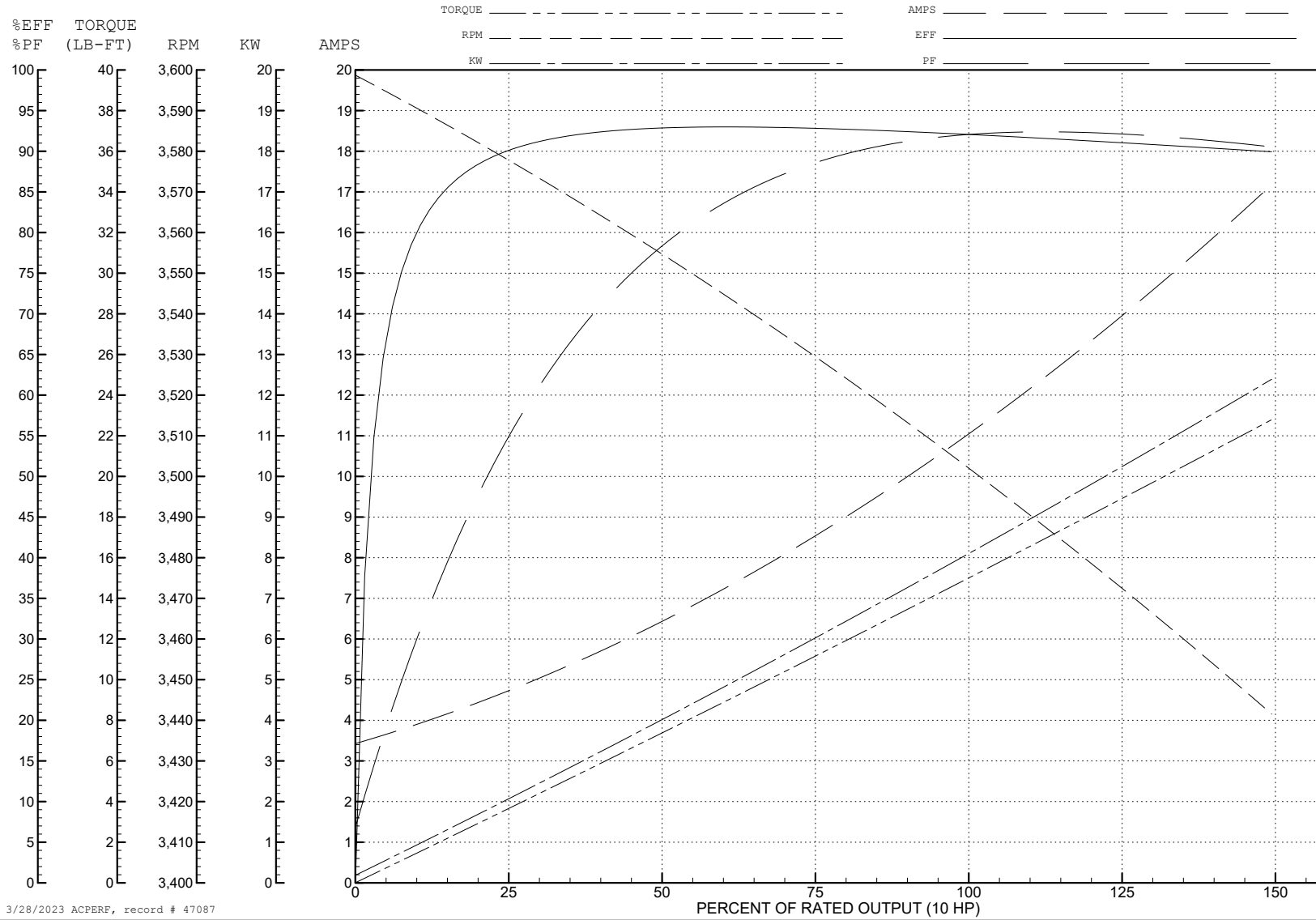
ABB Motors and Mechanical Inc.

WINDING # 07WGY826

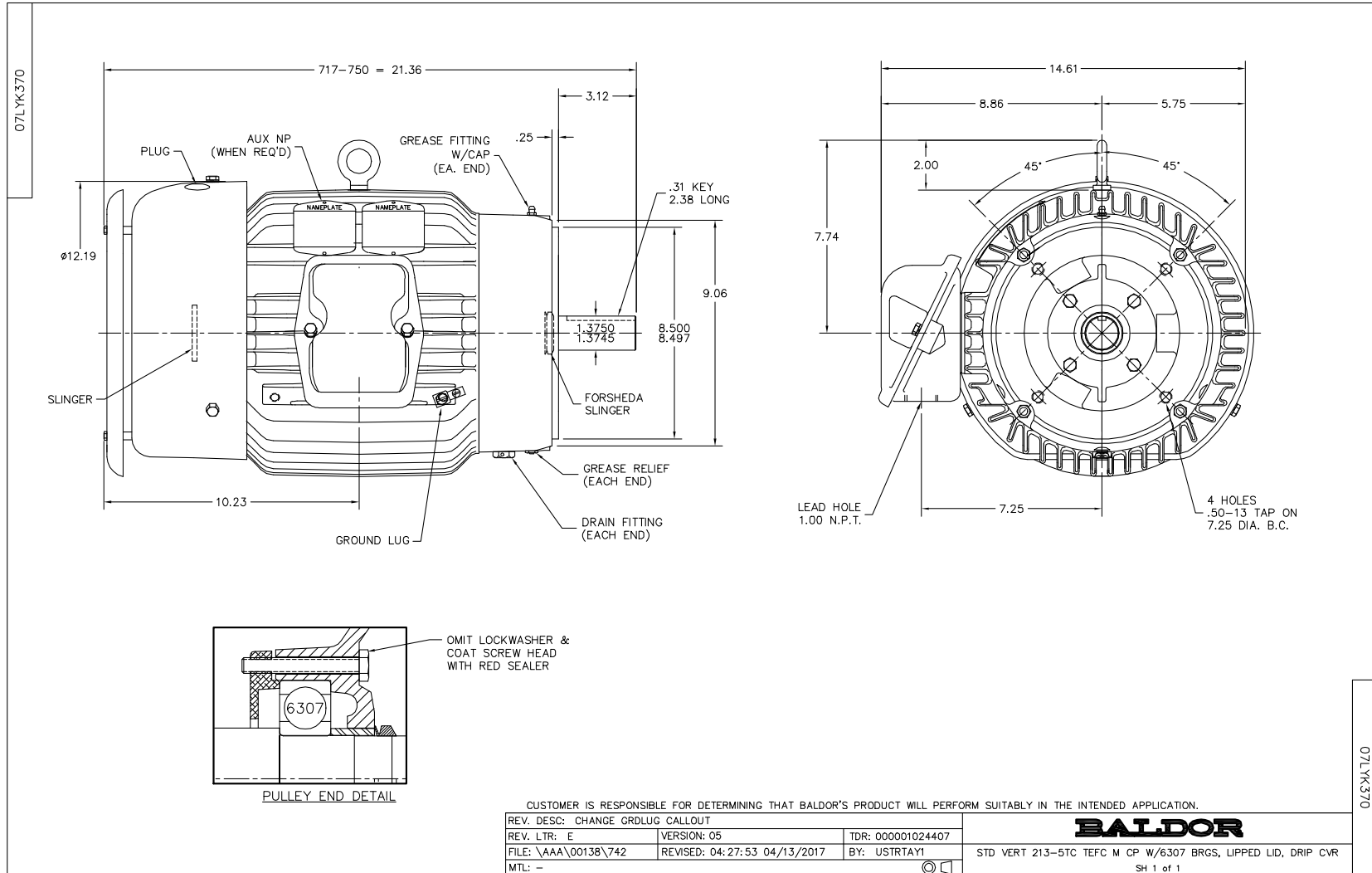
Typical performance - not guaranteed values.

10 HP 3 PH 60 HZ 3500 RPM 460 V 0742M

TORQUES (LB-FT): PO=70.8 PU=24.2 LR=32.6 LRA=88.5



3/28/2023 ACPERF, record # 47087



CD0006



NOTES:

1. THREE LEAD MOTOR MAY BE EITHER WYE CONNECTED OR DELTA CONNECTED.
2. INTERCHANGE ANY TWO LINE LEADS TO REVERSE ROTATION.
3. OPTIONAL THERMOSTATS ARE PROVIDED WHEN SPECIFIED.
4. ACTUAL NUMBER OF INTERNAL PARALLEL CIRCUITS MAY VARY.
5. LEAD COLORS ARE OPTIONAL. LEADS MUST BE NUMBERED AS SHOWN.

CD0006

REV. DESC: ADD CLASS CONN00000007		
REV. LTR: E	VERSION: 01	TDR: 000001099922
FILE: \AAA\00005\141	REVISED: 10:24:49 02/19/2019	BY: ENBRIRO
MTL: -		© □

BALDOR - RELIANCE®

3PH, SV, 3 LEADS, WYE OR DELTA CONNECTED

SH 1 of 1