



Customer information packet

VECP3661T-4

3HP, 1755RPM, 3PH, 60HZ, 182TC, 0632M, TEFC, F1

Class - CLI GP A,B,C,D

Division - Division II

Specifications

Enclosure	TEFC
Frame	182TC
Frame Material	Iron
Frequency	60.00 Hz
Haz Area Class and Group	CLI GP A,B,C,D
Haz Area Division	Division II
Motor Letter Type	Three Phase
Output @ Frequency	3.000 HP @ 60 HZ
Phase	3
Synchronous Speed @ Frequency	1800 RPM @ 60 HZ
Voltage @ Frequency	460.0 V @ 60 HZ
Agency Approvals	CCSA US CSA EEV NEMA PREMIUM NEMA_PREMIUM UR
Ambient Temperature	40 °C
Auxillary Box	No Auxillary Box
Auxillary Box Lead Termination	None
Base Indicator	No Mounting
Bearing Grease Type	Polyrex EM (-20F +300F)
Blower	None
Constant Torque Speed Range	1.5
Current @ Voltage	4.100 A @ 460.0 V
Design Code	B
Drip Cover	Drip Cover
Duty Rating	CONT
Efficiency @ 100% Load	89.5 %
Electrically Isolated Bearing	Not Electrically Isolated
Feedback Device	NO FEEDBACK
Front Face Code	Standard
Front Shaft Indicator	None

Part detail

Revision	H
Type	AC
Mech. spec.	06H480
Base	
Status	PRD/A
Elec. spec.	06WGX240
Layout	06LYH480
Eff. date	11-06-2023
CD Diagram	CD0006
Poles	04
Leads	3#16
Proprietary	False
Created date	09-26-2013

Haz Area Temp Code	T3C
Heater Indicator	No Heater
High Voltage Full Load Amps	4.1 a
Insulation Class	F
Inverter Code	Inverter Duty
KVA Code	J
Lifting Lugs	Standard Lifting Lugs
Locked Bearing Indicator	Locked Bearing
Max Speed	2700 rpm
Motor Lead Exit	Ko Box
Motor Lead Quantity/Wire Size	3 @ 16 AWG
Motor Lead Termination	Flying Leads
Motor Standards	NEMA
Motor Type	0632M
Mounting Arrangement	F1
Number of Poles	4
Overall Length	16.98 IN
Power Factor	77
Product Family	Super-E Chemical Processing
Pulley End Bearing Type	Ball
Pulley Face Code	C-Face
Pulley Shaft Indicator	Standard
Rodent Screen	None
Service Factor	1.15
Shaft Diameter	1.125 IN
Shaft Extension Location	Pulley End
Shaft Ground Indicator	No Shaft Grounding
Shaft Rotation	Reversible
Shaft Slinger Indicator	Shaft Slinger
Speed	1755 rpm
Speed Code	Single Speed
Starting Method	Direct on line
Thermal Device - Bearing	None
Thermal Device - Winding	None

Vibration Sensor Indicator**No Vibration Sensor****Winding Thermal 1****None****Winding Thermal 2****None**

Nameplate

NP3257							
CAT.NO.	VECP3661T-4						
SPEC.	06H480X240G1						
HP	3 TE						
VOLTS	460						
AMP	4.1						
RPM	1755						
FRAME	182TC	HZ	60	PH	3		
SER.F.	1.15	CODE	J	DES	B	CL	F
RATING	40C AMB-CONT						
SN							
DE	6206	ODE	6206				
NEMA-NOM-EFF	89.5	PF	77				
G.MIN.EFF	89.5	CC	010A				
T. CODE	T3C	T=	160				

NP3260			
SPEC.	06H480X240G1		
D.E. BRG.	30BC02XP30X		
O.D.E. BRG.	30BC02XP30X		
GREASE	POLYREX EM		
RPM MAX	2700	MAX. KVAR	0.86
BLANK			
INV.TYPE	PWM		
T=	160		
C HP FR	60	C HP TO	90
CT HZ FROM	1.5	CT HZ TO	60
VT HZ FROM	-0	VT HZ TO	60
HTR-VOLTS		HTR-AMPS	
HTR-WATTS		MAX. SPACE HEATER TEMP.	

AC Induction Motor Performance Data

Record # 92246

Typical performance - not guaranteed values

Winding: 06WGX240-R041		Type: 0632M		Enclosure: TEFC	
Nameplate Data			460 V, 60 Hz: Single Voltage Motor		
Rated Output (HP)	3	Full Load Torque	9.06 LB-FT		
Volts	460	Start Configuration	direct on line		
Full Load Amps	4.1	Breakdown Torque	33.1 LB-FT		
R.P.M.	1755	Pull-up Torque	18.2 LB-FT		
Hz	60	Locked-rotor Torque	20.4 LB-FT		
NEMA Design Code	B	Starting Current	29.8 A		
Service Factor (S.F.)	1.15	No-load Current	2.14 A		
NEMA Nom. Eff.	89.5	Line-line Res. @ 25°C	3.93 Ω		
Rating - Duty	40C	Temp. Rise @ Rated Load	35°C		
S.F. Amps	AMB-CONT	Temp. Rise @ S.F. Load	42°C		
		Locked-rotor Power Factor	41.4		
		Rotor inertia	0.298 lb-ft ²		

Load Characteristics 460 V, 60 Hz, 3 HP

% of Rated Load	25	50	75	100	125	150	S.F.
Power Factor	38	58	70	77	81	83	79
Efficiency	83.2	88.3	89.8	89.5	89.1	87.7	89.3
Speed	1790	1779	1769	1757	1744	1730	1749
Line amperes	2.34	2.79	3.39	4.1	4.91	5.86	4.59

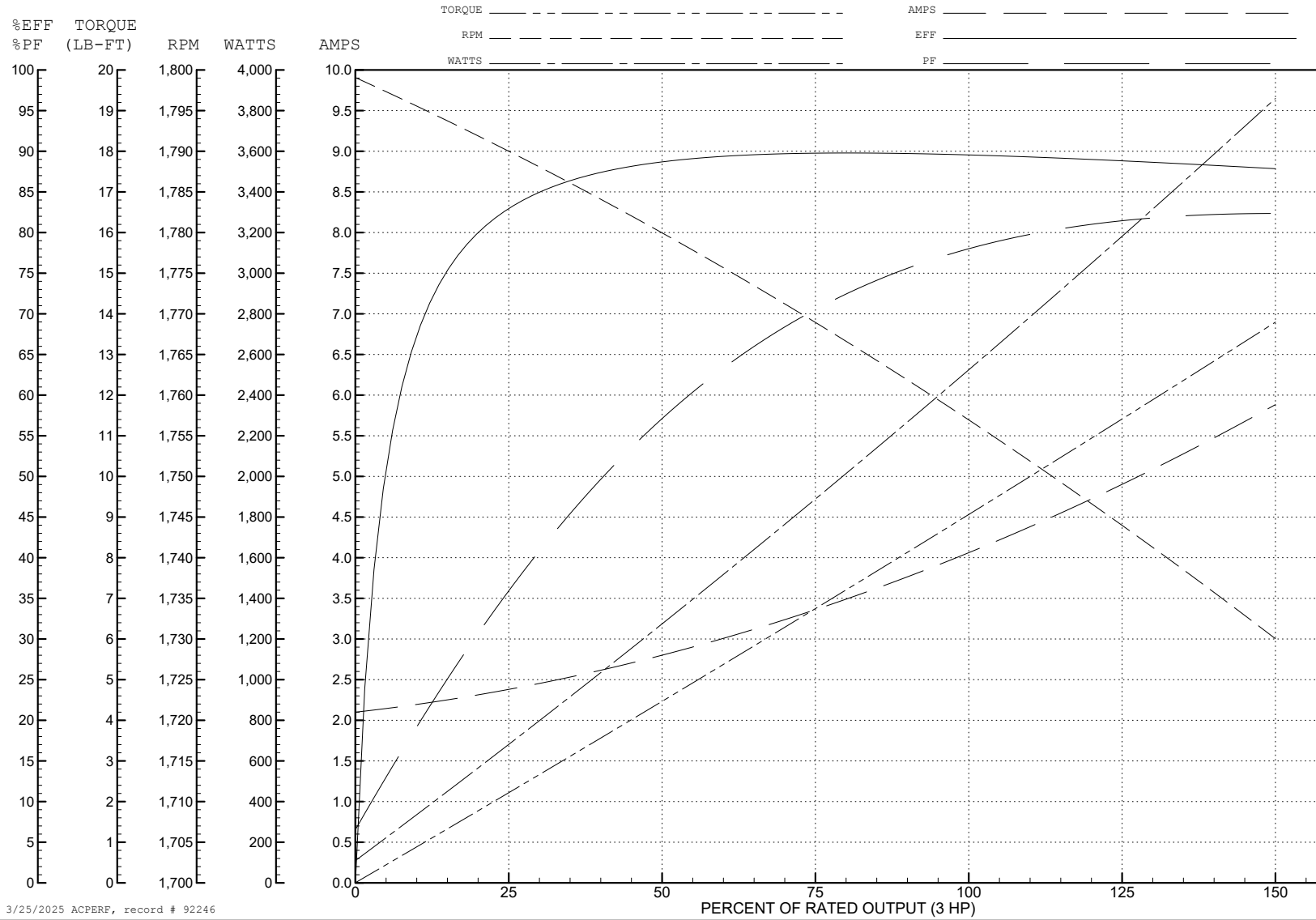
ABB Motors and Mechanical Inc.

WINDING # 06WGX240

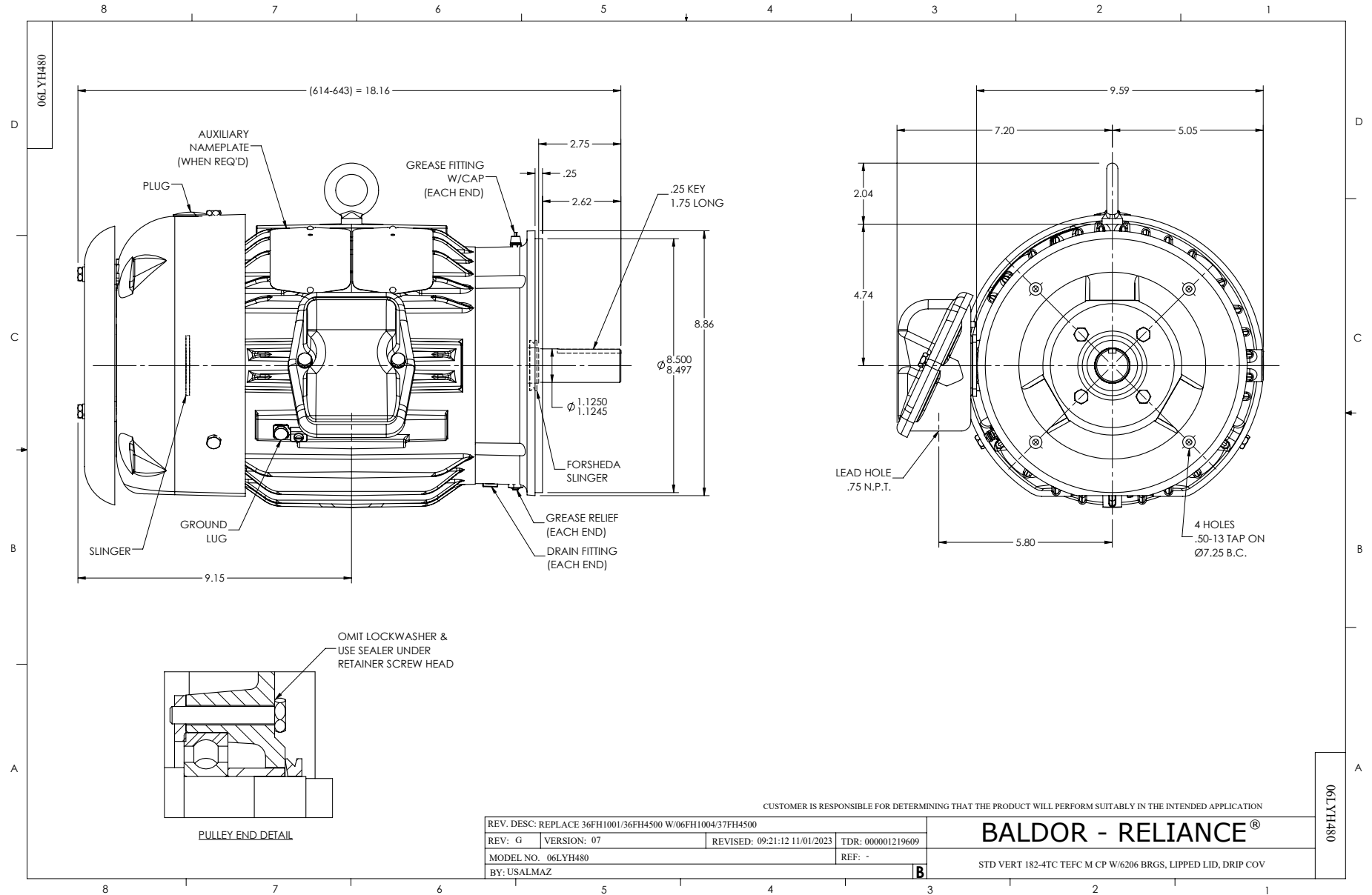
3 HP 3 PH 60 HZ 1755 RPM 460 V 0632M

Typical performance - not guaranteed values.

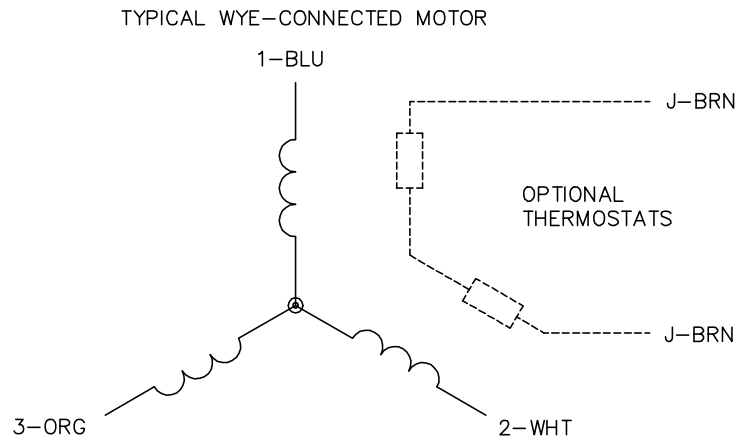
TORQUES (LB-FT): PO=33.1 PU=18.2 LR=20.4 LRA=29.8



3/25/2025 ACPERF, record # 92246



CD0006



NOTES:

1. THREE LEAD MOTOR MAY BE EITHER WYE CONNECTED OR DELTA CONNECTED.
2. INTERCHANGE ANY TWO LINE LEADS TO REVERSE ROTATION.
3. OPTIONAL THERMOSTATS ARE PROVIDED WHEN SPECIFIED.
4. ACTUAL NUMBER OF INTERNAL PARALLEL CIRCUITS MAY VARY.
5. LEAD COLORS ARE OPTIONAL. LEADS MUST BE NUMBERED AS SHOWN.

CD0006

REV. DESC: ADD CLASS CONN00000007		
REV. LTR: E	VERSION: 01	TDR: 000001099922
FILE: \AAA\00005\141	REVISED: 10:24:49 02/19/2019	BY: ENBRIRO
MTL: -	© □	

BALDOR - RELIANCE®

3PH, SV, 3 LEADS, WYE OR DELTA CONNECTED

SH 1 of 1