



---

# Customer information packet

## VECP2334T-4

20HP, 1770RPM, 3PH, 60HZ, 256TC, 0960M, TEFC, F

Class - CLI GP A,B,C,D

Division - Division II

## Specifications

Enclosure	TEFC
Frame	256TC
Frame Material	Iron
Frequency	60.00 Hz
Haz Area Class and Group	CLI GP A,B,C,D
Haz Area Division	Division II
Motor Letter Type	Three Phase
Output @ Frequency	20.000 HP @ 60 HZ
Phase	3
Synchronous Speed @ Frequency	1800 RPM @ 60 HZ
Voltage @ Frequency	460.0 V @ 60 HZ
Agency Approvals	CCSA US CSA EEV NEMA PREMIUM NEMA_PREMIUM UR
Ambient Temperature	40 °C
Auxillary Box	No Auxillary Box
Auxillary Box Lead Termination	None
Base Indicator	No Mounting
Bearing Grease Type	Polyrex EM (-20F +300F)
Blower	None
Constant Torque Speed Range	1.0
Current @ Voltage	24.000 A @ 460.0 V
Design Code	A
Drip Cover	Drip Cover
Duty Rating	CONT
Efficiency @ 100% Load	93.0 %
Electrically Isolated Bearing	Not Electrically Isolated
Feedback Device	NO FEEDBACK
Front Face Code	Standard
Front Shaft Indicator	None

## Part detail

Revision	L
Type	AC
Mech. spec.	09H181
Base	
Status	PRD/A
Elec. spec.	09WGT506
Layout	09LYH181
Eff. date	03-14-2024
CD Diagram	CD0006
Poles	04
Leads	3#10
Proprietary	False
Created date	11-27-2017

Haz Area Temp Code	T3C
Heater Indicator	No Heater
High Voltage Full Load Amps	24.0 a
Insulation Class	F
Inverter Code	Inverter Duty
KVA Code	J
Lifting Lugs	Standard Lifting Lugs
Locked Bearing Indicator	Locked Bearing
Max Speed	2700 rpm
Motor Lead Exit	Ko Box
Motor Lead Quantity/Wire Size	3 @ 10 AWG
Motor Lead Termination	Flying Leads
Motor Standards	NEMA
Motor Type	0960M
Mounting Arrangement	F1
Number of Poles	4
Overall Length	27.41 IN
Power Factor	83
Product Family	Super-E Chemical Processing
Pulley End Bearing Type	Ball
Pulley Face Code	C-Face
Pulley Shaft Indicator	Standard
Rodent Screen	None
Service Factor	1.15
Shaft Diameter	1.625 IN
Shaft Extension Location	Pulley End
Shaft Ground Indicator	No Shaft Grounding
Shaft Rotation	Reversible
Shaft Slinger Indicator	Shaft Slinger
Speed	1770 rpm
Speed Code	Single Speed
Starting Method	Direct on line
Thermal Device - Bearing	None
Thermal Device - Winding	None

<b>Vibration Sensor Indicator</b>	<b>No Vibration Sensor</b>
<b>Winding Thermal 1</b>	<b>None</b>
<b>Winding Thermal 2</b>	<b>None</b>

Nameplate

NP3995ABBL

CAT #	VECP2334T-4				SER		CC	010A					
SPEC	09H181T506G1				RATING	40C AMB-CONT							
HZ	VOLTS		AMPS		RPM	HP	CODE	SF	DES	PF	NEMA NOM. EFF		
60	460		24		1770	20	J	1.15	A	83 %	93 %	%	
										%		%	
PH	3	CL	F	MAX RPM	2700	MAX CORR KVAR	5.45	USABLE AT 208V		N/A			
IP55	FR	256TC		ENCL	TEFC	DE BRG	6309	ODE BRG	6309				
GREASE	POLYREX EM				MTR WT	356	LBS						
USABLE AT	50HZ 15HP 380V 22A				SF1.0								
CL I DIV 2 GRPS A,B,C,D				CL I ZONE 2 GRPS				IIA,IIB,IIC		TEMP T	160	C	
1.0 SF ON PWM INVERTER			POWER	INV TEMP CL		180	C						
CHP	60-90	HZ	1.5:1	CT	1.0-60	HZ	60:1	VT	0-60	HZ	1000:1		
SPACE HEATER LEADS H1-H2:				TIE LIKE NUMBERS				TOGETHER					
V		A		W		MAX SPACE HEATER TEMP							

**AC Induction Motor Performance Data**

Record # 72646

Typical performance - not guaranteed values

Winding: 09WGT506-R002		Type: 0960M	Enclosure: TEFC	
<b>Nameplate Data</b>			<b>460 V, 60 Hz: Single Voltage Motor</b>	
Rated Output (HP)	20	Full Load Torque	59.27 LB-FT	
Volts	460	Start Configuration	direct on line	
Full Load Amps	24	Breakdown Torque	232 LB-FT	
R.P.M.	1770	Pull-up Torque	126 LB-FT	
Hz	60	Locked-rotor Torque	141 LB-FT	
NEMA Design Code	A	Starting Current	198 A	
Service Factor (S.F.)	1.15	No-load Current	10.4 A	
NEMA Nom. Eff.	93	Line-line Res. @ 25°C	0.332 Ω	
Rating - Duty	40C AMB-CONT	Temp. Rise @ Rated Load	58°C	
S.F. Amps		Temp. Rise @ S.F. Load	70°C	
		Locked-rotor Power Factor	26.9	
		Rotor inertia	2.65 LB-FT <sup>2</sup>	

**Load Characteristics 460 V, 60 Hz, 20 HP**

% of Rated Load	25	50	75	100	125	150	S.F.
Power Factor	45	67	78	83	86	87	85
Efficiency	89.2	93	93.7	93.6	93.1	92.4	93.3
Speed	1793	1786	1779	1772	1764	1755	1767
Line amperes	11.8	15	19.2	24	29.3	34.9	27.2

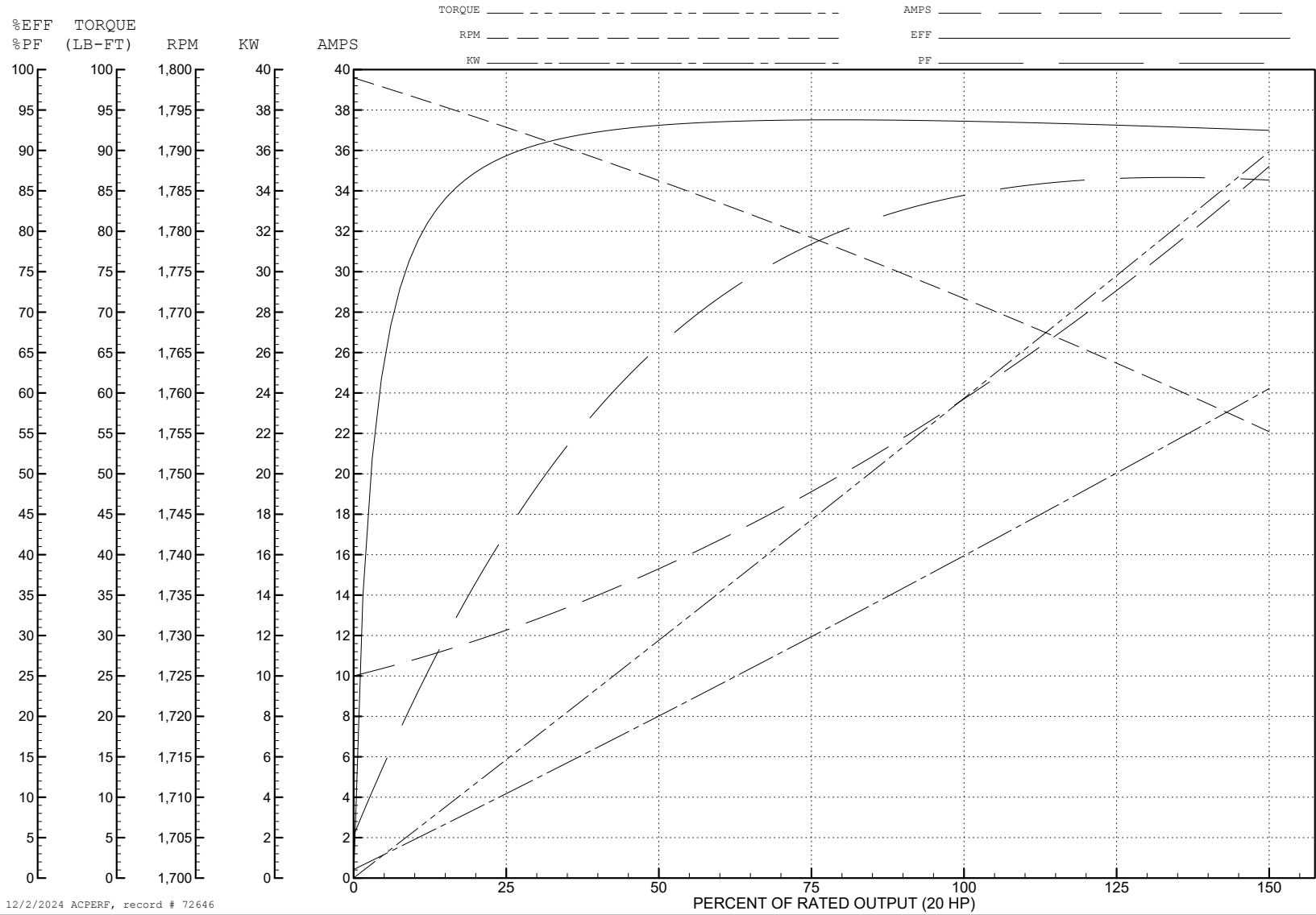
ABB Motors and Mechanical Inc.

WINDING # 09WGT506

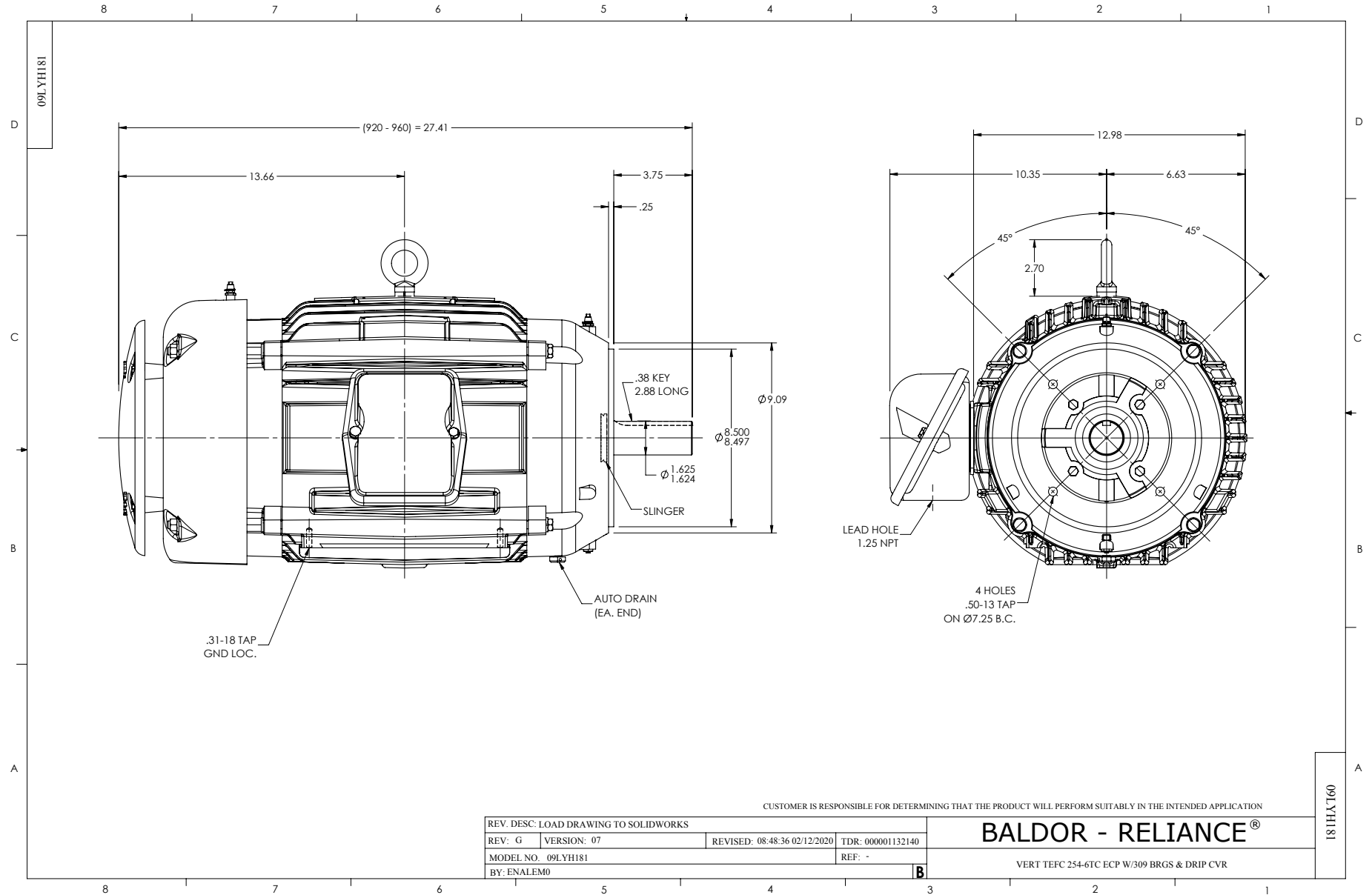
Typical performance - not guaranteed values.

20 HP 3 PH 60 HZ 1770 RPM 460 V 0960M

TORQUES (LB-FT): PO=232 PU=126 LR=141 LRA=198

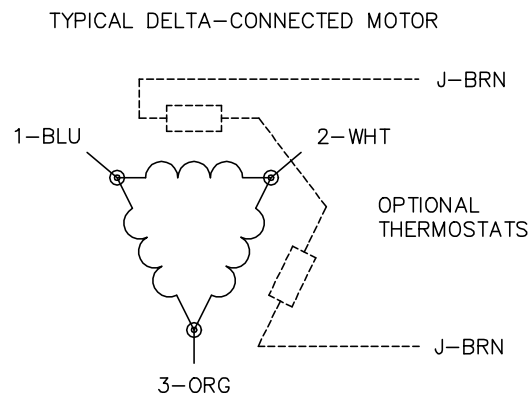
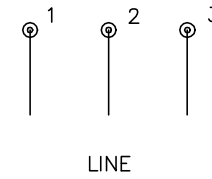
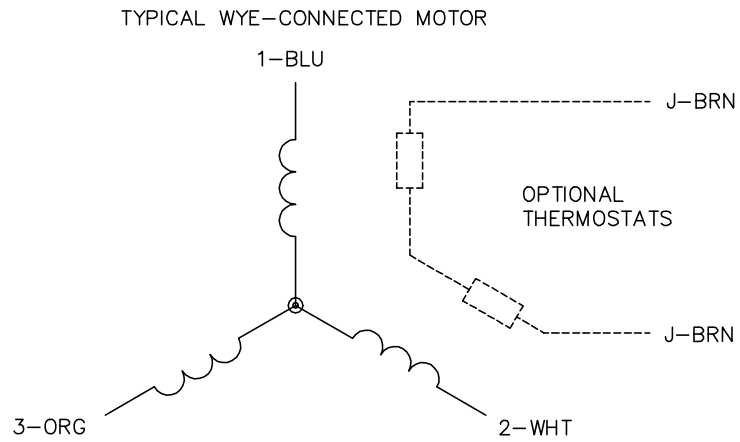


12/2/2024 ACPERF, record # 72646





CD0006



NOTES:

1. THREE LEAD MOTOR MAY BE EITHER WYE CONNECTED OR DELTA CONNECTED.
2. INTERCHANGE ANY TWO LINE LEADS TO REVERSE ROTATION.
3. OPTIONAL THERMOSTATS ARE PROVIDED WHEN SPECIFIED.
4. ACTUAL NUMBER OF INTERNAL PARALLEL CIRCUITS MAY VARY.
5. LEAD COLORS ARE OPTIONAL. LEADS MUST BE NUMBERED AS SHOWN.

CD0006

REV. DESC: ADD CLASS CONN00000007		
REV. LTR: E	VERSION: 01	TDR: 000001099922
FILE: \AAA\00005\141	REVISED: 10:24:49 02/19/2019	BY: ENBRIRO
MTL: -		© □

**BALDOR - RELIANCE®**

3PH, SV, 3 LEADS, WYE OR DELTA CONNECTED

SH 1 of 1