



---

# Customer information packet

## VEBM3615T

5HP, 1755RPM, 3PH, 60HZ, 184TC, 3642M, TEFC, F1

Class - None

Division - Not Applicable

## Specifications

Enclosure	TEFC
Frame	184TC
Frame Material	Steel
Frequency	60.00 Hz
Motor Letter Type	Three Phase
Output @ Frequency	5.000 HP @ 60 HZ
Phase	3
Synchronous Speed @ Frequency	1800 RPM @ 60 HZ
Voltage @ Frequency	230.0 V @ 60 HZ 460.0 V @ 60 HZ
XP Class and Group	None
XP Division	Not Applicable
Agency Approvals	CSA CSA EEV NEMA PREMIUM UR
Ambient Temperature	40 °C
Auxillary Box	No Auxillary Box
Auxillary Box Lead Termination	None
Base Indicator	No Mounting
Bearing Grease Type	Polyrex EM (-20F +300F)
Blower	None
Current @ Voltage	6.700 A @ 460.0 V 14.000 A @ 208.0 V 13.400 A @ 230.0 V
Design Code	B
Drip Cover	No Drip Cover
Duty Rating	CONT
Efficiency @ 100% Load	89.5 %
Electrically Isolated Bearing	Not Electrically Isolated
Feedback Device	NO FEEDBACK
Front Shaft Indicator	None

## Part detail

Revision	-
Type	AC
Mech. spec.	36E049
Base	
Status	PRD/A
Elec. spec.	36WGQ032
Layout	36LYE049
Eff. date	12-15-2020
CD Diagram	CD0005
Poles	04
Leads	9#16
Proprietary	False
Created date	12-04-2020

Heater Indicator	No Heater
High Voltage Full Load Amps	6.7 a
Insulation Class	F
Inverter Code	Inverter Ready
KVA Code	J
Lifting Lugs	Standard Lifting Lugs
Locked Bearing Indicator	Locked Bearing
Motor Lead Quantity/Wire Size	9 @ 16 AWG
Motor Lead Termination	Flying Leads
Motor Standards	NEMA
Motor Type	3642M
Mounting Arrangement	F1
Number of Poles	4
Overall Length	23.06 IN
Power Factor	78
Product Family	General Purpose
Pulley End Bearing Type	Ball
Pulley Face Code	C-Face
Pulley Shaft Indicator	Standard
Rodent Screen	None
RoHS Status	ROHS COMPLIANT
Service Factor	1.15
Shaft Diameter	1.125 IN
Shaft Ground Indicator	No Shaft Grounding
Shaft Rotation	Reversible
Shaft Slinger Indicator	No Slinger
Speed	1755 rpm
Speed Code	Single Speed
Starting Method	Direct on line
Thermal Device - Bearing	None
Thermal Device - Winding	None
Vibration Sensor Indicator	No Vibration Sensor
Winding Thermal 1	None
Winding Thermal 2	None

**Nameplate**

<b>NP1259L</b>									
<b>CAT.NO.</b>	VEBM3615T								
<b>SPEC.</b>	36E049Q032G1								
<b>HP</b>	5								
<b>VOLTS</b>	230/460								
<b>AMP</b>	13.4/6.7								
<b>RPM</b>	1755								
<b>FRAME</b>	184TC		<b>HZ</b>	60		<b>PH</b>	3		
<b>SER.F.</b>	1.15	<b>CODE</b>	J	<b>DES</b>	B	<b>CL</b>	F		
<b>NEMA-NOM-EFF</b>	89.5	<b>PF</b>	78						
<b>RATING</b>	40C AMB-CONT								
<b>CC</b>	010A		<b>USABLE AT 208V</b>				14		
<b>DE</b>	6206		<b>ODE</b>	6205					
<b>ENCL</b>	TEFC	<b>SN</b>							

**AC Induction Motor Performance Data**

Record # 89917

Typical performance - not guaranteed values

<b>Winding: 36WGQ032-R001</b>		<b>Type: 3642M</b>		<b>Enclosure: TEFC</b>	
<b>Nameplate Data</b>			<b>460 V, 60 Hz: High Voltage Connection</b>		
<b>Rated Output (HP)</b>	5		<b>Full Load Torque</b>	15 LB-FT	
<b>Volts</b>	230/460		<b>Start Configuration</b>	direct on line	
<b>Full Load Amps</b>	13.4/6.7		<b>Breakdown Torque</b>	53.1 LB-FT	
<b>R.P.M.</b>	1755		<b>Pull-up Torque</b>	23.4 LB-FT	
<b>Hz</b>	<b>60 Phase</b>	3	<b>Locked-rotor Torque</b>	34.7 LB-FT	
<b>NEMA Design Code</b>	<b>B KVA Code</b>	J	<b>Starting Current</b>	49.8 A	
<b>Service Factor (S.F.)</b>	1.15		<b>No-load Current</b>	3.31 A	
<b>NEMA Nom. Eff.</b>	<b>89.5 Power Factor</b>	78	<b>Line-line Res. @ 25°C</b>	2.4 Ω	
<b>Rating - Duty</b>	40C AMB-CONT		<b>Temp. Rise @ Rated Load</b>	71°C	
<b>S.F. Amps</b>			<b>Temp. Rise @ S.F. Load</b>	86°C	
			<b>Locked-rotor Power Factor</b>	40.6635	
			<b>Rotor inertia</b>	0.391 lb-ft <sup>2</sup>	

**Load Characteristics 460 V, 60 Hz, 5 HP**

<b>% of Rated Load</b>	<b>25</b>	<b>50</b>	<b>75</b>	<b>100</b>	<b>125</b>	<b>150</b>	<b>S.F.</b>
<b>Power Factor</b>	38	60	72	79	82	84	81
<b>Efficiency</b>	83.8	88.9	89.8	89.5	88.4	86.8	88.8
<b>Speed</b>	1789	1778	1766	1753	1738	1722	1744
<b>Line amperes</b>	3.64	4.39	5.45	6.66	8.08	9.67	7.51

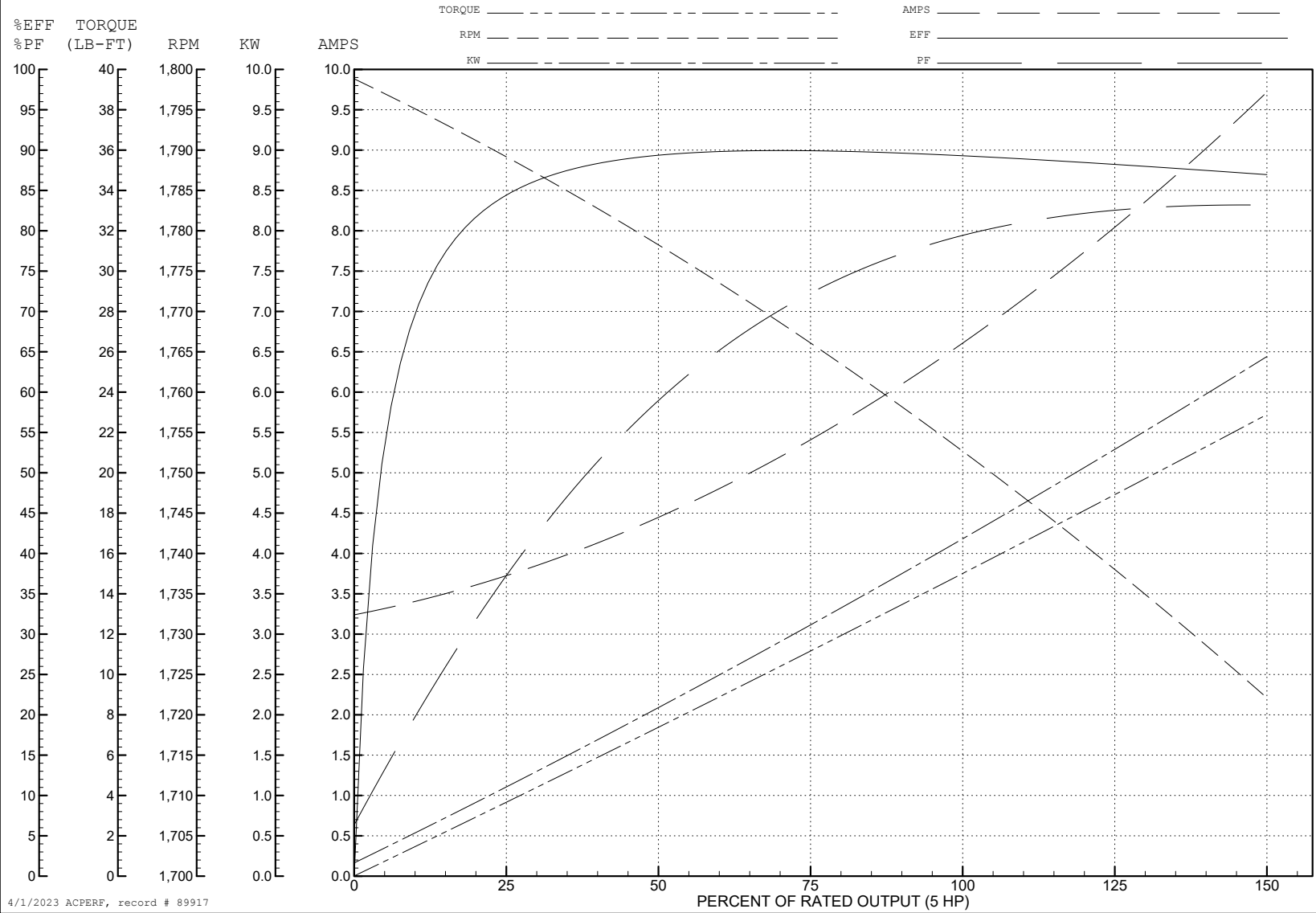
ABB Motors and Mechanical Inc.

WINDING # 36WGQ032

5 HP 3 PH 60 HZ 1755 RPM 460 V 3642M

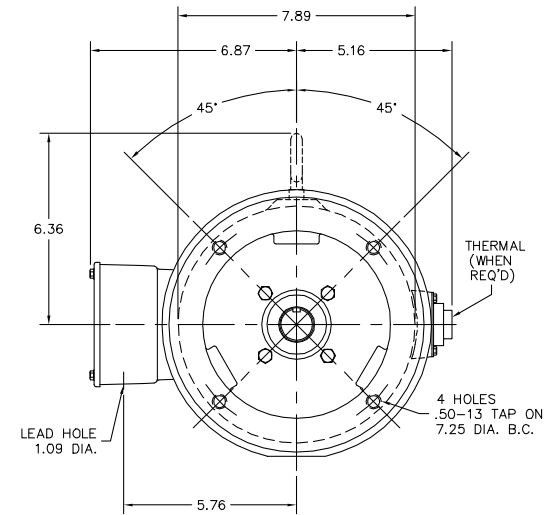
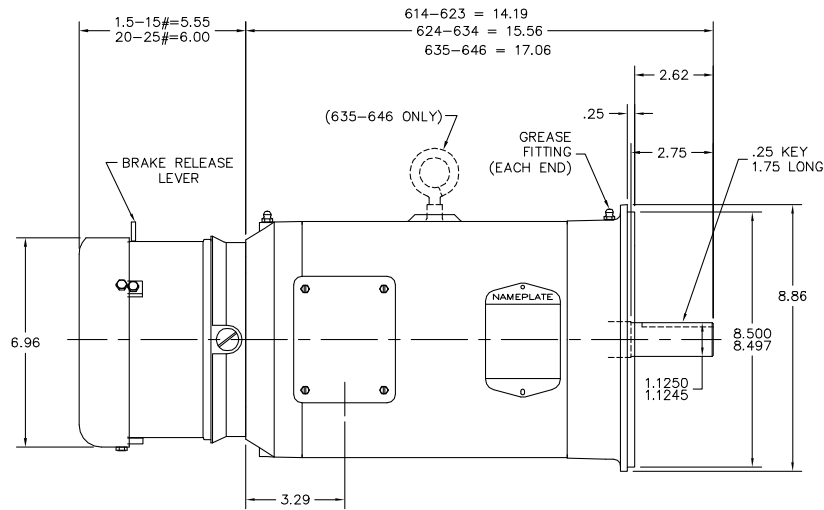
Typical performance - not guaranteed values.

TORQUES (LB-FT): PO=53.1 PU=23.4 LR=34.7 LRA=49.8



4/1/2023 ACPERF, record # 89917

36LYE049



36LYE049

CUSTOMER IS RESPONSIBLE FOR DETERMINING THAT BALDOR'S PRODUCT WILL PERFORM SUITABLY IN THE INTENDED APPLICATION.

REV. DESC: CORRECT GRAPHICS IN RH VIEW		
REV. LTR: Q	VERSION: 02	TDR: 000001120752
FILE: \AAA\00000\938	REVISED: 08:59:34 09/24/2019	BY: ENBRAMO
MTL: -		

**BALDOR - RELIANCE**®

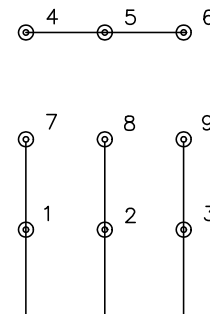
STD VERT 182-4TC TEFC 36M W/BRAKE (76BK')

SH 1 of 1

CD0005



LOW VOLTAGE  
(2Y)



LINE

HIGH VOLTAGE  
(1Y)



LINE

NOTES:

1. INTERCHANGE ANY TWO LINE LEADS TO REVERSE ROTATION.
2. OPTIONAL THERMOSTATS ARE PROVIDED WHEN SPECIFIED.
3. ACTUAL NUMBER OF INTERNAL PARALLEL CIRCUITS MAY BE A MULTIPLE OF THOSE SHOWN ABOVE.
4. LEAD COLORS ARE OPTIONAL. LEADS MUST ALWAYS BE NUMBERED AS SHOWN.

CD0005

REV. DESC: REVISE TO SHOW OPTIONAL COLORS			
REV. LTR: E	BY: JLP	REVISED: 01/19/99 10:15	TDR: 0171435
S00000		FILE: AAA00005140	MDL: -
		MTL: -	

**BALDOR ELECTRIC Co.**

3PH, DV, 9 LEADS