

BALDOR • RELIANCE

Customer information packet

VEBM3554T-5D

1.5/1.1KWHP, 1770RPM, 3PH, 60HZ, 145TC, 3524M

Class - None

Division - Not Applicable

Specifications

Enclosure	TEFC
Frame	145TC
Frame Material	Steel
Frequency	60.00 Hz
Haz Area Class and Group	None
Haz Area Division	Not Applicable
Motor Letter Type	Three Phase
Output @ Frequency	1.500 HP @ 60 HZ
Phase	3
Synchronous Speed @ Frequency	1800 RPM @ 60 HZ
Voltage @ Frequency	575.0 V @ 60 HZ
Agency Approvals	CE WEEE UKCA NEMA PREMIUM CURUSEEV
Ambient Temperature	40 °C
Auxillary Box	No Auxillary Box
Auxillary Box Lead Termination	None
Base Indicator	No Mounting
Bearing Grease Type	Polyrex EM (-20F +300F)
Blower	None
Current @ Voltage	1.700 A @ 575.0 V
Design Code	B
Drip Cover	No Drip Cover
Duty Rating	CONT
Efficiency @ 100% Load	86.5 %
Electrically Isolated Bearing	Not Electrically Isolated
Feedback Device	NO FEEDBACK
Front Shaft Indicator	None
Heater Indicator	No Heater
High Voltage Full Load Amps	1.7 a

Part detail

Revision	D
Type	AC
Mech. spec.	35X050
Base	
Status	PRD/A
Elec. spec.	35WGG122
Layout	35LYX050
Eff. date	04-16-2024
CD Diagram	CD0006
Poles	04
Leads	3#18
Proprietary	False
Created date	03-11-2022

Insulation Class	F
Inverter Code	Inverter Ready
KVA Code	L
Lifting Lugs	No Lifting Lugs
Locked Bearing Indicator	Locked Bearing
Motor Lead Quantity/Wire Size	3 @ 18 AWG
Motor Lead Termination	Flying Leads
Motor Standards	NEMA
Motor Type	3524M
Mounting Arrangement	F3
Number of Poles	4
Overall Length	17.19 IN
Power Factor	77
Product Family	General Purpose
Pulley End Bearing Type	Sealed Bearing
Pulley Face Code	C-Face
Pulley Shaft Indicator	Standard
Rodent Screen	None
Service Factor	1.15
Shaft Diameter	0.875 IN
Shaft Ground Indicator	No Shaft Grounding
Shaft Rotation	Reversible
Shaft Slinger Indicator	No Slinger
Speed	1770 rpm
Speed Code	Single Speed
Starting Method	Direct on line
Thermal Device - Bearing	None
Thermal Device - Winding	None
Vibration Sensor Indicator	No Vibration Sensor
Winding Thermal 1	None
Winding Thermal 2	None

Nameplate

NP2934L							
CAT.NO.	VEBM3554T-5D						
SPEC.	35X050G122G1						
HP	1.5/1.1KW						
VOLTS	575						
AMP	1.7						
R.P.M. (1/MIN)	1770						
FRAME	145TC	HZ	60	PH	3		
SER.F.	1.15	CODE	M	DES	B	CL	F
NEMA-NOM-EFF	86.5	PF	74				
RATING	40C AMB-S1 CONT						
CC	010A						
DE	6205	ODE	6205				
ENCL	TEFC	SN					
	SFA 1.9						

AC Induction Motor Performance Data

Record # 87553

Typical performance - not guaranteed values

Winding: 35WGG122-R001		Type: 3524M		Enclosure: TEFC	
Nameplate Data			575 V, 60 Hz: High Voltage Connection		
Rated Output (HP)	1.5	Full Load Torque	4.46 LB-FT		
Volts	575	Start Configuration	direct on line		
Full Load Amps	1.7	Breakdown Torque	17.4 LB-FT		
R.P.M.	1770	Pull-up Torque	9.2 LB-FT		
Hz	60	Phase	3	Locked-rotor Torque	11.3 LB-FT
NEMA Design Code	B	KVA Code	L	Starting Current	14.8 A
Service Factor (S.F.)	1.15	No-load Current	1 A		
NEMA Nom. Eff.	86.5	Power Factor	77	Line-line Res. @ 25°C	18.8 Ω
Rating - Duty	40C AMB-CONT		Temp. Rise @ Rated Load	41°C	
S.F. Amps	1.9	Temp. Rise @ S.F. Load	49°C		
		Locked-rotor Power Factor	58.3		
		Rotor inertia	0.173 lb-ft ²		

Load Characteristics 575 V, 60 Hz, 1.5 HP

% of Rated Load	25	50	75	100	125	150	S.F.
Power Factor	36	56	69	77	82	85	81
Efficiency	76.7	84.6	86.5	86.7	85.9	84.7	86.1
Speed	1792	1786	1779	1770	1762	1753	1762
Line amperes	1.06	1.2	1.42	1.7	2.01	2.36	1.85

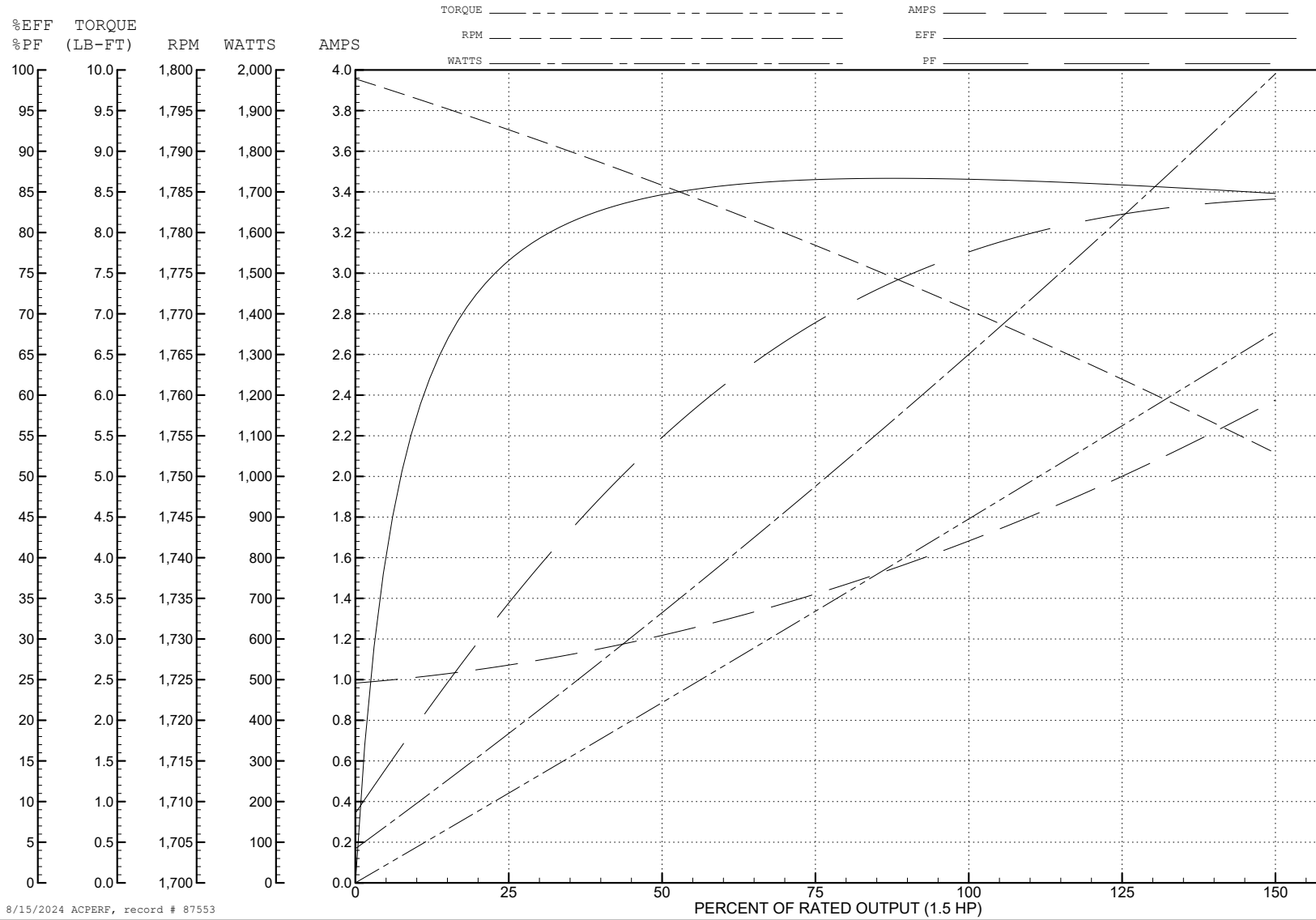
ABB Motors and Mechanical Inc.

WINDING # 35WGG122

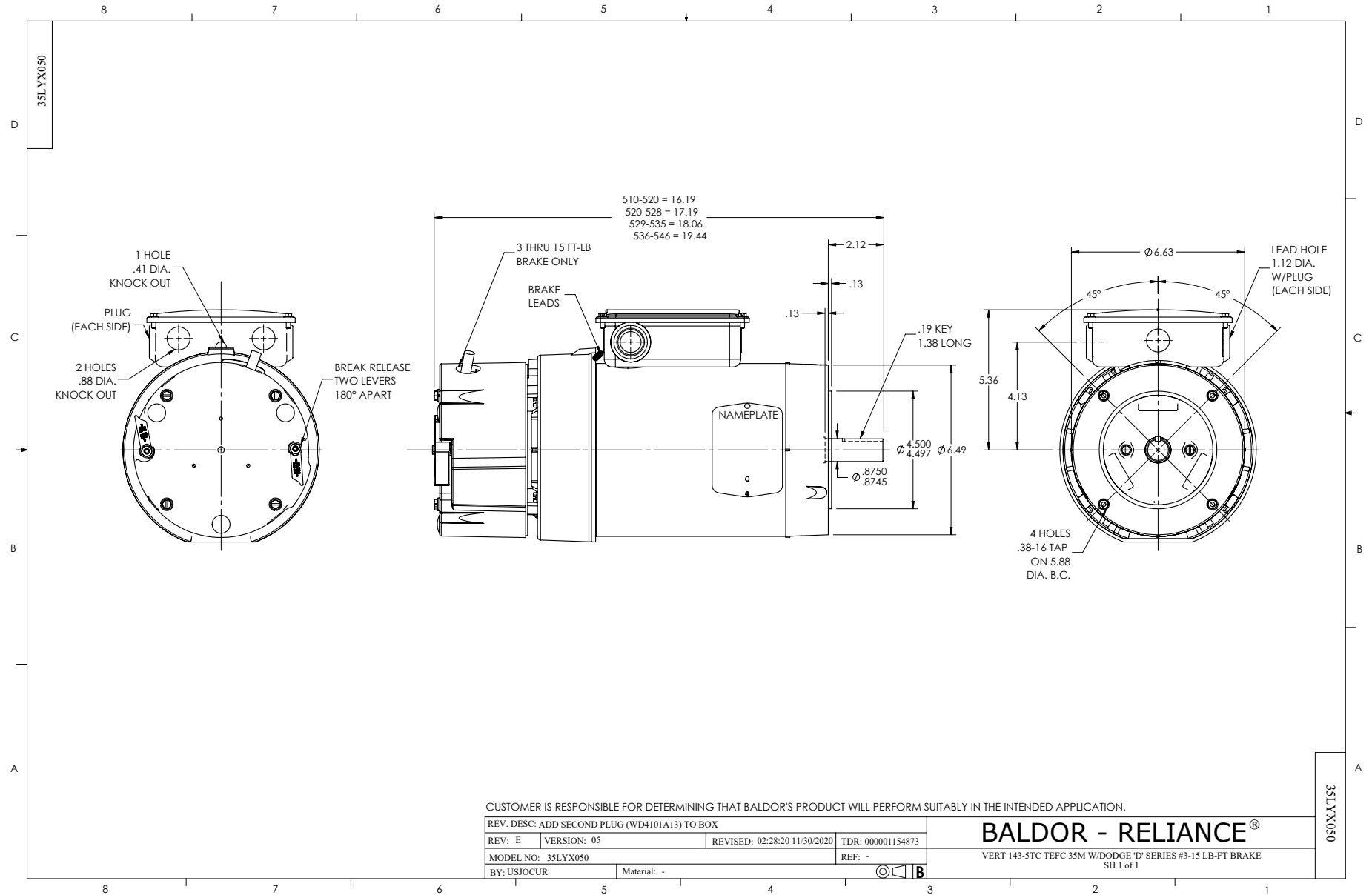
Typical performance - not guaranteed values.

1.5 HP 3 PH 60 HZ 1770 RPM 575 V 3524M

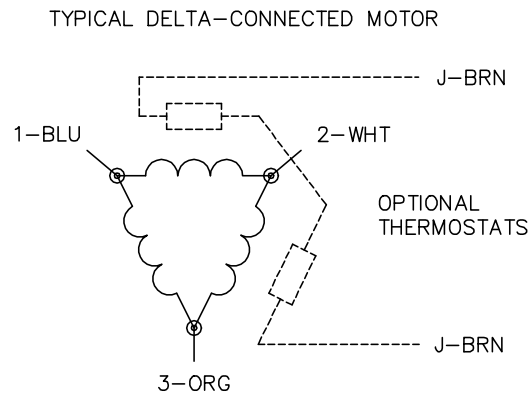
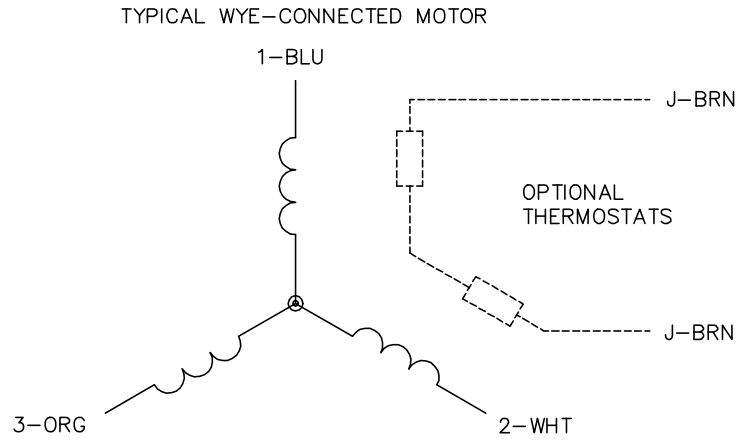
TORQUES (LB-FT): PO=17.4 PU=9.2 LR=11.3 LRA=14.8



8/15/2024 ACPERF, record # 87553



CD0006



NOTES:

1. THREE LEAD MOTOR MAY BE EITHER WYE CONNECTED OR DELTA CONNECTED.
2. INTERCHANGE ANY TWO LINE LEADS TO REVERSE ROTATION.
3. OPTIONAL THERMOSTATS ARE PROVIDED WHEN SPECIFIED.
4. ACTUAL NUMBER OF INTERNAL PARALLEL CIRCUITS MAY VARY.
5. LEAD COLORS ARE OPTIONAL. LEADS MUST BE NUMBERED AS SHOWN.

CD0006

REV. DESC: ADD CLASS CONN00000007		
REV. LTR: E	VERSION: 01	TDR: 000001099922
FILE: \AAA\00005\141	REVISED: 10:24:49 02/19/2019	BY: ENBRIRO
MTL: -	© □	

BALDOR - RELIANCE®

3PH, SV, 3 LEADS, WYE OR DELTA CONNECTED

SH 1 of 1

CD2120

WIRING CONNECTIONS (1 PHASE VAC)

	POWER LINE A	POWER LINE B	CAP TOGETHER	CAP ALONE
AC LOW VOLT.	B1	B2	B3 & B5	B4
AC HIGH VOLT.	B1 & B5	B2	---	B3 CAP ALONE B4 CAP ALONE
DC VOLT.	B1	B2	B3 & B5	B4

B1 WHITE
B2 BLACK
B3 GRAY
B4 BLUE
B5 RED

CD2120

REV. DESC: NEW		
REV. LTR: -	VERSION: 00	TDR: 000000741785
FILE: \CKA\00037\282	REVISED: 12: 28:11 04/12/2012	
MTL: -	BY: CKRONSO	

BALDOR • DODGE • RELIANCE

D-SERIES MOTOR BRAKE 5LD AC\DC
SH 1 of 1