

# ABB BALDOR RELIANCE III

---

## Customer information packet

VDRX21744T

7.5HP, 1770//1470RPM, 3PH, 60/50HZ, 213TC, XP

Class - CLI GP C,D

Division - Division I

**Specifications**

<b>Enclosure</b>	XPFC
<b>Frame</b>	213TC
<b>Frame Material</b>	Iron
<b>Frequency</b>	50.00 Hz 60.00 Hz
<b>Haz Area Class and Group</b>	CLI GP C,D
<b>Haz Area Division</b>	Division I
<b>Motor Letter Type</b>	Three Phase
<b>Output @ Frequency</b>	7.500 HP @ 60 HZ 5.000 HP @ 50 HZ
<b>Phase</b>	3
<b>Synchronous Speed @ Frequency</b>	1800 RPM @ 60 HZ
<b>Voltage @ Frequency</b>	460.0 V @ 60 HZ 190.0 V @ 50 HZ 230.0 V @ 60 HZ 380.0 V @ 50 HZ
<b>Agency Approvals</b>	UL CSA EEV
<b>Ambient Temperature</b>	40 °C
<b>Auxiliary Box</b>	NO AUXILLARY BOX
<b>Auxiliary Box Lead Termination</b>	None
<b>Base Indicator</b>	No Mounting
<b>Bearing Grease Type</b>	Polyrex EM (-20F +300F)
<b>Blower</b>	None
<b>Constant Torque Speed Range</b>	6
<b>Current @ Voltage</b>	10.100 A @ 460.0 V 17.400 A @ 190.0 V 20.200 A @ 230.0 V 8.700 A @ 380.0 V
<b>Design Code</b>	A
<b>Drip Cover</b>	No Drip Cover
<b>Duty Rating</b>	CONT

**Part Detail**

<b>Revision</b>	D
<b>Type</b>	AC
<b>Mech. spec.</b>	
<b>Base</b>	
<b>Status</b>	PRD/A
<b>Elec. spec.</b>	07WGR561
<b>Layout</b>	07LYK484
<b>Eff. date</b>	02-14-2024
<b>CD Diagram</b>	CD0005
<b>Poles</b>	04
<b>Leads</b>	9#14
<b>Proprietary</b>	False
<b>Created date</b>	06-21-2019

<b>Efficiency @ 100% Load</b>	91.7 %
<b>Electrically Isolated Bearing</b>	Not Electrically Isolated
<b>Feedback Device</b>	NO FEEDBACK
<b>Haz Area Temp Code</b>	T3C
<b>Heater Indicator</b>	No Heater
<b>High Voltage Full Load Amps</b>	8.7 a
<b>Insulation Class</b>	F
<b>Inverter Code</b>	Inverter Duty
<b>IP Rating</b>	NONE
<b>KVA Code</b>	K
<b>Lifting Lugs</b>	Standard Lifting Lugs
<b>Locked Bearing Indicator</b>	Locked Bearing
<b>Max Speed</b>	2700 rpm
<b>Motor Lead Termination</b>	Flying Leads
<b>Motor Standards</b>	NEMA
<b>Motor Type</b>	0738M
<b>Mounting Arrangement</b>	F1
<b>Number of Poles</b>	4
<b>Overall Length</b>	20.77 IN
<b>Power Factor</b>	75
<b>Product Family</b>	Hazardous Location Motor
<b>Pulley Face Code</b>	C-Face
<b>Rodent Screen</b>	None
<b>RoHS Status</b>	ROHS NON-COMPLIANT
<b>Service Factor</b>	1.00
<b>Shaft Diameter</b>	1.375 IN
<b>Shaft Ground Indicator</b>	No Shaft Grounding
<b>Shaft Rotation</b>	Reversible
<b>Speed</b>	1770 rpm
<b>Speed Code</b>	Single Speed
<b>Starting Method</b>	Direct on line
<b>Thermal Device - Bearing</b>	None
<b>Thermal Device - Winding</b>	Normally Closed Thermostat
<b>Vibration Sensor Indicator</b>	No Vibration Sensor

**Winding Thermal 1**

**None**

---

**Winding Thermal 2**

**None**

---

**Nameplate**

**NP1401XPSLEV**

<b>NO.</b>		<b>CC</b>	010A				
<b>S/N</b>		<b>TEMP CODE</b>	T3C				
<b>SPEC.</b>	07-0000-0164	<b>INV.TYPE</b>	PWM				
<b>CAT.NO.</b>	VDRX21744T	<b>C HP FR</b>	60	<b>C HP TO</b>	90		
<b>HP</b>	7.5//5	<b>CT HZ FROM</b>	6	<b>CT HZ TO</b>	60		
<b>VOLTS</b>	230/460//190/380	<b>VT HZ FROM</b>	6	<b>VT HZ TO</b>	60		
<b>AMPS</b>	20.2/10.1//17.4/8.7	<b>MAG CUR</b>	10.8/5.4				
<b>RPM</b>	1770//1470	<b>MX RPM</b>	2700				
<b>HZ</b>	60//50	<b>PH</b>	3	<b>CL</b>	F	<b>NOM.EFF.</b>	91.7
<b>SER.F.</b>	1.00	<b>DES</b>	A	<b>SL HZ</b>	1	<b>WK2</b>	0.934
<b>FRAME</b>	213TC	<b>RATING</b>	40C AMB-CONT				
	55C AMB @ 1.0 SF						
	1.15 SF SINEWAVE		NEMA MG-1 PT 5,IP55				

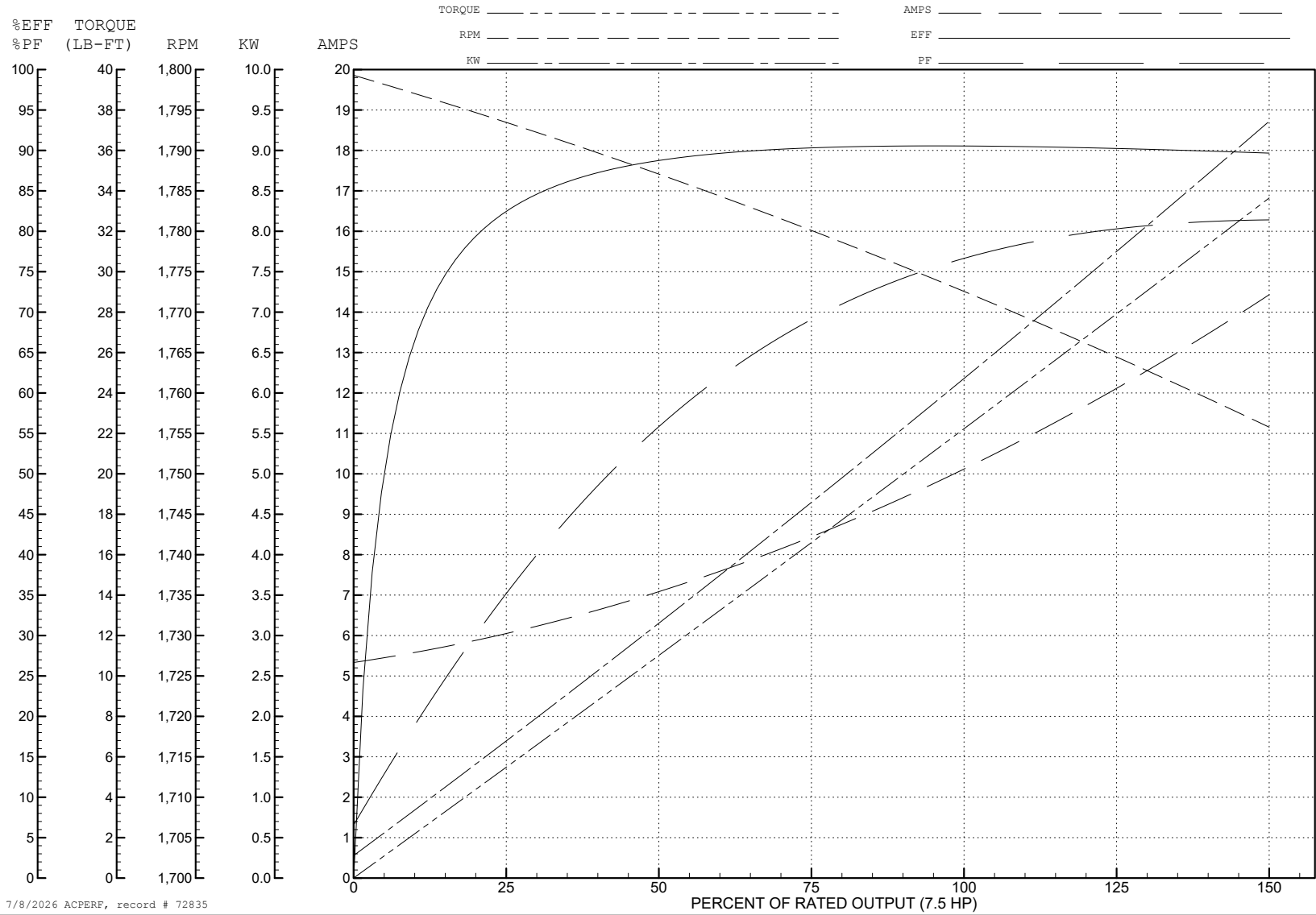
ABB Motors and Mechanical Inc.

WINDING # 07WGR561

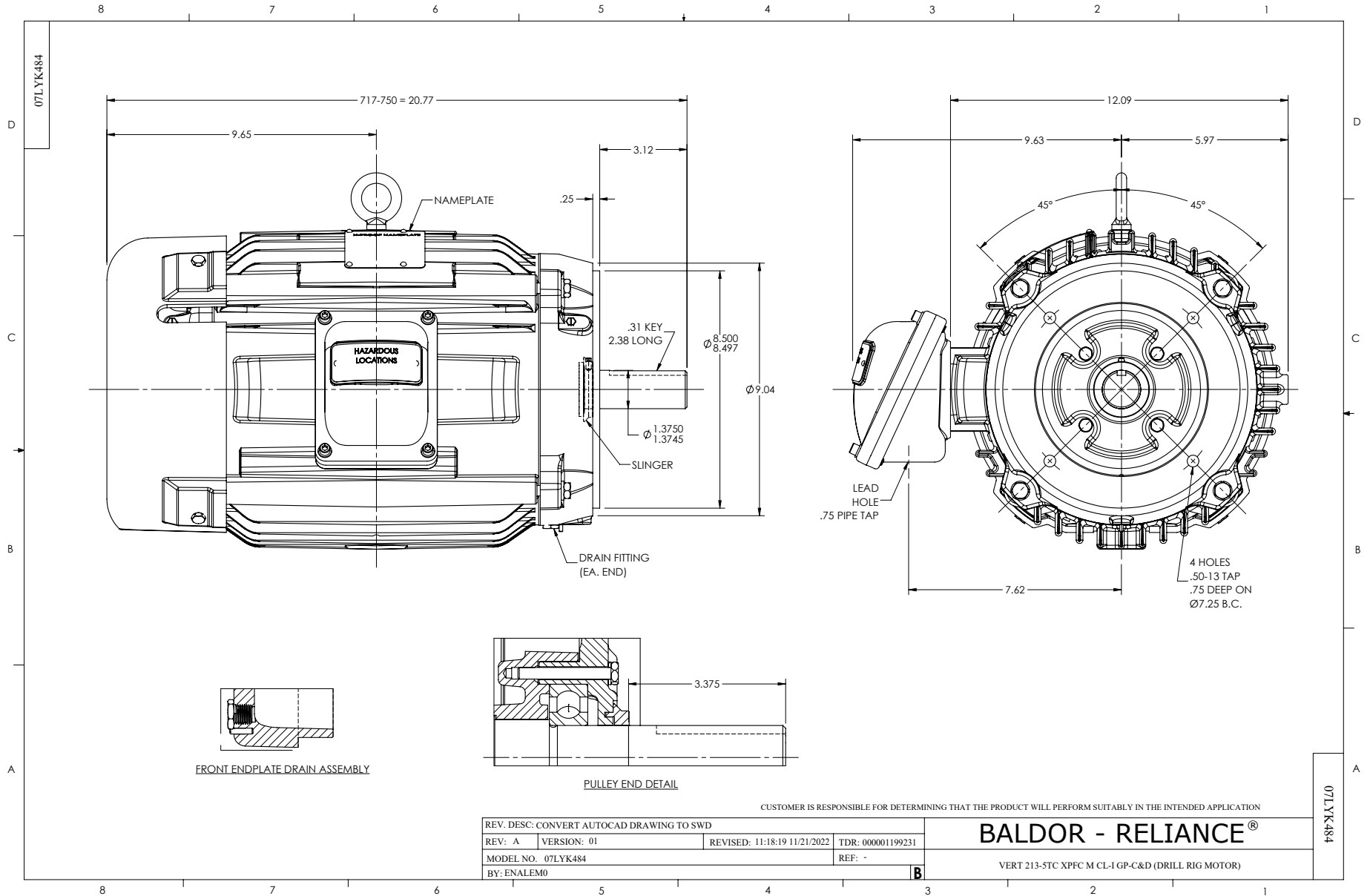
Typical performance - not guaranteed values.

7.5 HP 3 PH 60 HZ 1773 RPM 460 V 0738M

TORQUES (LB-FT): PO=81.48 PU=38.25 LR=50.29 LRA=82.02



7/8/2026 ACPERF, record # 72835



CD0005



LOW VOLTAGE  
(2Y)



LINE

HIGH VOLTAGE  
(1Y)



LINE

**NOTES:**

1. INTERCHANGE ANY TWO LINE LEADS TO REVERSE ROTATION.
2. OPTIONAL THERMOSTATS ARE PROVIDED WHEN SPECIFIED.
3. ACTUAL NUMBER OF INTERNAL PARALLEL CIRCUITS MAY BE A MULTIPLE OF THOSE SHOWN ABOVE.
4. LEAD COLORS ARE OPTIONAL. LEADS MUST ALWAYS BE NUMBERED AS SHOWN.

CD0005

REV. DESC: REVISE TO SHOW OPTIONAL COLORS

REV. LTR: E BY: JLP REVISED: 01/19/99 10:15 TDR: 0171435

500000

FILE: AAA00005140

MDL: -

MTL: -

**BALDOR ELECTRIC Co.**

3PH, DV, 9 LEADS