

ABB BALDOR RELIANCE III

Customer information packet

VDRX051544

1.5//1HP, 1770//1475RPM, 3PH, 60//50HZ, 56C

Class - CLI GP C,D

Division - Division I

Specifications

Enclosure	XPFC
Frame	56C
Frame Material	Steel
Frequency	50.00 Hz 60.00 Hz
Haz Area Class and Group	CLI GP C,D
Haz Area Division	Division I
Motor Letter Type	Three Phase
Output @ Frequency	1.000 HP @ 50 HZ 1.500 HP @ 60 HZ
Phase	3
Synchronous Speed @ Frequency	1800 RPM @ 60 HZ
Voltage @ Frequency	230.0 V @ 60 HZ 190.0 V @ 50 HZ 460.0 V @ 60 HZ 380.0 V @ 50 HZ
Agency Approvals	CSA EEV UL
Ambient Temperature	40 °C
Auxiliary Box	NO AUXILLARY BOX
Auxiliary Box Lead Termination	None
Base Indicator	No Mounting
Bearing Grease Type	Polyrex EM (-20F +300F)
Blower	None
Constant Torque Speed Range	6
Current @ Voltage	4.300 A @ 208.0 V 4.600 A @ 230.0 V 4.000 A @ 190.0 V 2.300 A @ 460.0 V 2.000 A @ 380.0 V
Design Code	B
Drip Cover	No Drip Cover

Part Detail

Revision	D
Type	AC
Mech. spec.	
Base	
Status	PRD/A
Elec. spec.	35WGL955
Layout	35LYX748
Eff. date	04-21-2025
CD Diagram	CD0005
Poles	04
Leads	9#18
Proprietary	False
Created date	10-28-2021

Duty Rating	CONT
Efficiency @ 100% Load	86.5 %
Electrically Isolated Bearing	Not Electrically Isolated
Feedback Device	NO FEEDBACK
Haz Area Temp Code	T3C
Heater Indicator	No Heater
High Voltage Full Load Amps	2.0 a
Insulation Class	F
Inverter Code	Inverter Duty
KVA Code	L
Lifting Lugs	No Lifting Lugs
Locked Bearing Indicator	Locked Bearing
Max Speed	2700 rpm
Motor Lead Termination	Flying Leads
Motor Standards	NEMA
Motor Type	3522M
Mounting Arrangement	F1
Number of Poles	4
Overall Length	15.15 IN
Power Factor	76
Product Family	General Purpose
Pulley Face Code	C-Face
Rodent Screen	None
Service Factor	1.00
Shaft Diameter	0.625 IN
Shaft Ground Indicator	No Shaft Grounding
Shaft Rotation	Reversible
Speed	1770 rpm
Speed Code	Single Speed
Starting Method	Direct on line
Thermal Device - Bearing	None
Thermal Device - Winding	Normally Closed Thermostat
Vibration Sensor Indicator	No Vibration Sensor
Winding Thermal 1	None

Winding Thermal 2

None

Nameplate

NP1401XPSLEV

NO.		CC	010A		
S/N		TEMP CODE	T3C		
SPEC.	35-0000-1356	INV.TYPE	PWM		
CAT.NO.	VDRX051544	C HP FR	60	C HP TO	90
HP	1.5//1	CT HZ FROM	6	CT HZ TO	60
VOLTS	230/460//190/380	VT HZ FROM	6	VT HZ TO	60
AMPS	4.6/2.3//4/2	MAG CUR	3/1.5		
RPM	1770//1475	MX RPM	2700		
HZ	60//50	PH	3	CL	F
		NOM.EFF.	86.5		
SER.F.	1.00	DES	B	SL HZ	1
		WK2	0.174		
FRAME	56C	RATING	40C AMB-CONT		
	55C AMB @ 1.0 SF				
	1.15 SF SINEWAVE		NEMA MG-1 PT 5, IP55		

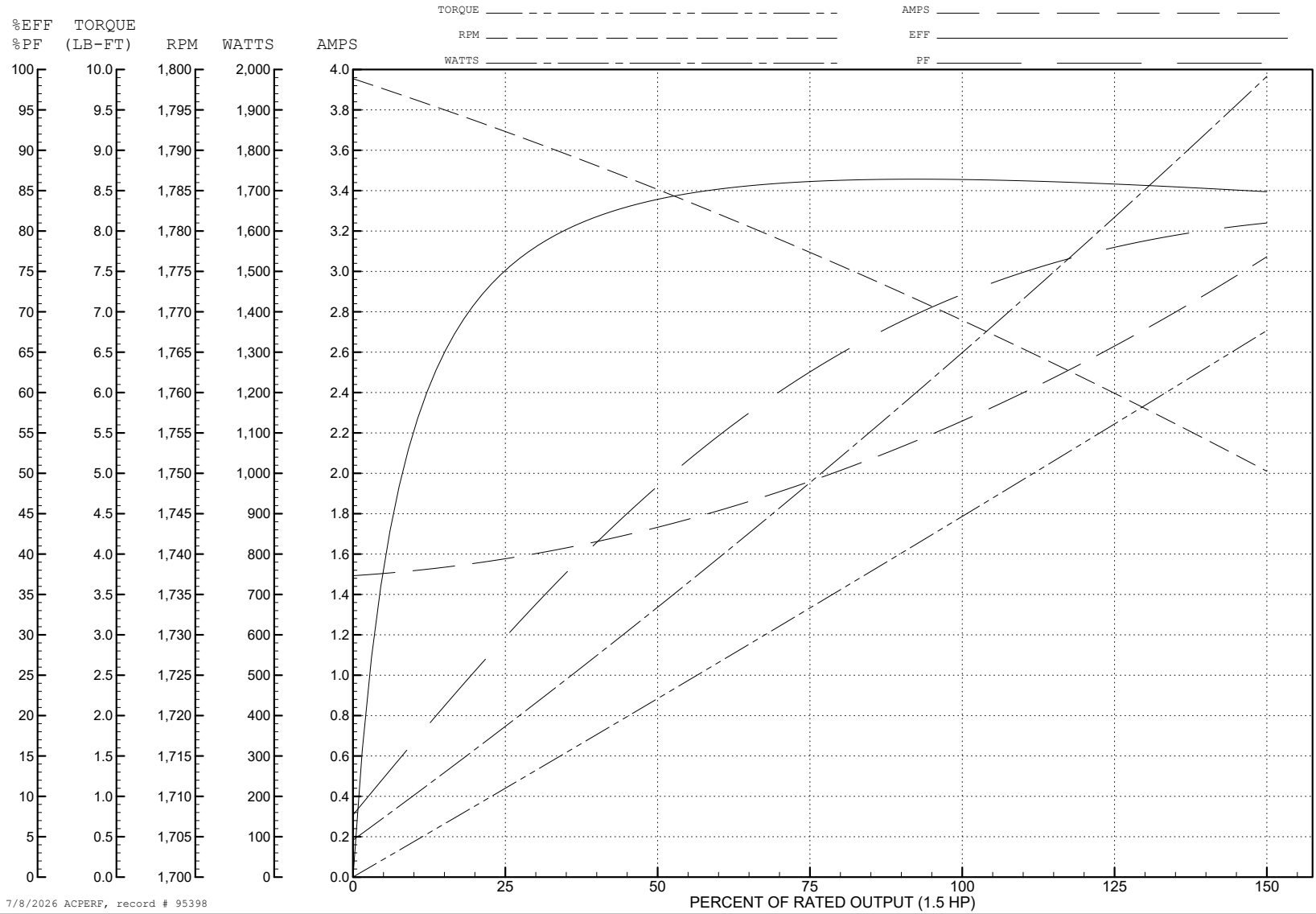
ABB Motors and Mechanical Inc.

WINDING # 35WGL955

Typical performance - not guaranteed values.

1.5 HP 3 PH 60 HZ 1769 RPM 460 V 3524M

TORQUES (LB-FT): PO=18.8 PU=9.6 LR=12.6 LRA=19.7



7/8/2026 ACPERF, record # 95398

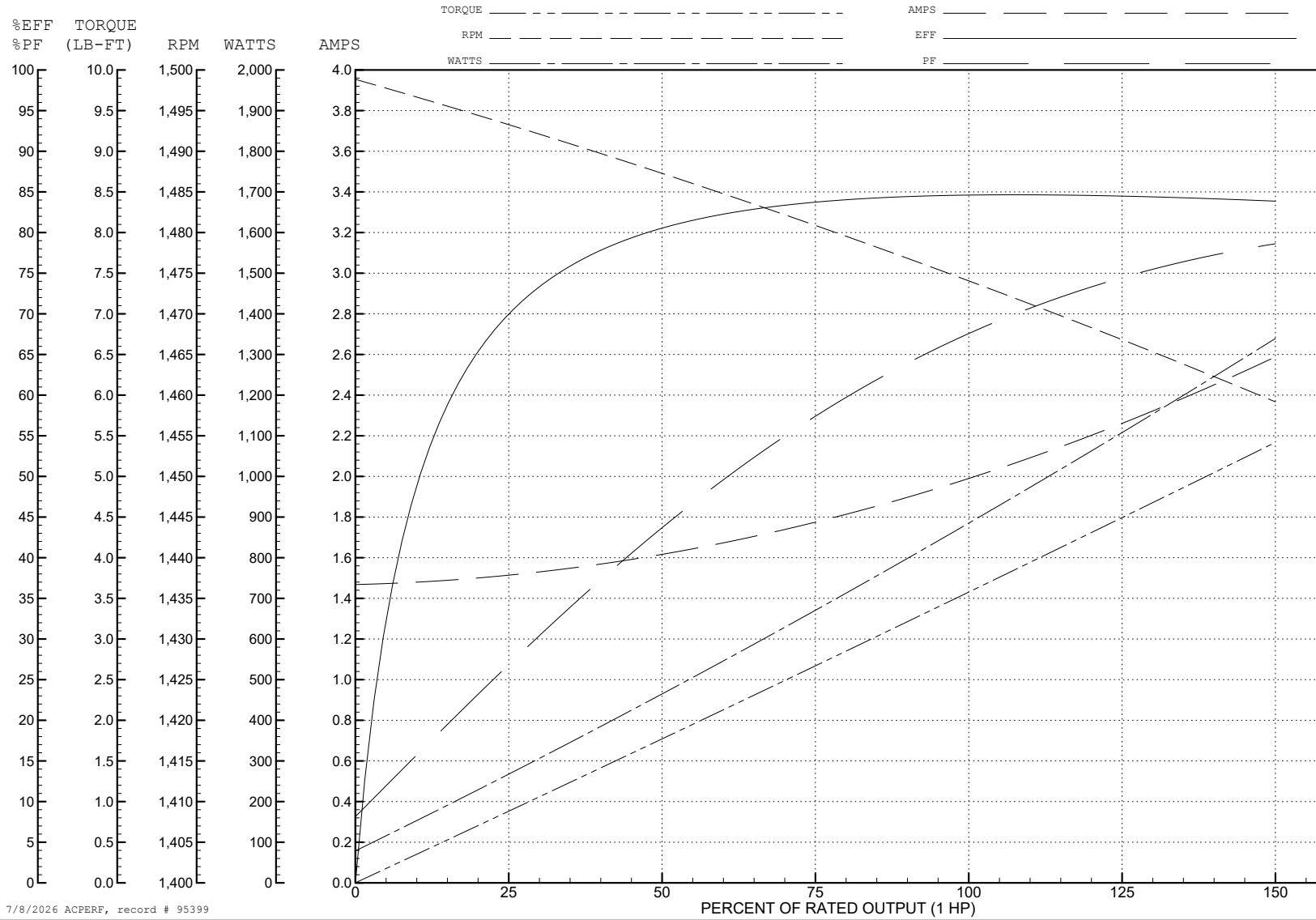
ABB Motors and Mechanical Inc.

WINDING # 35WGL955

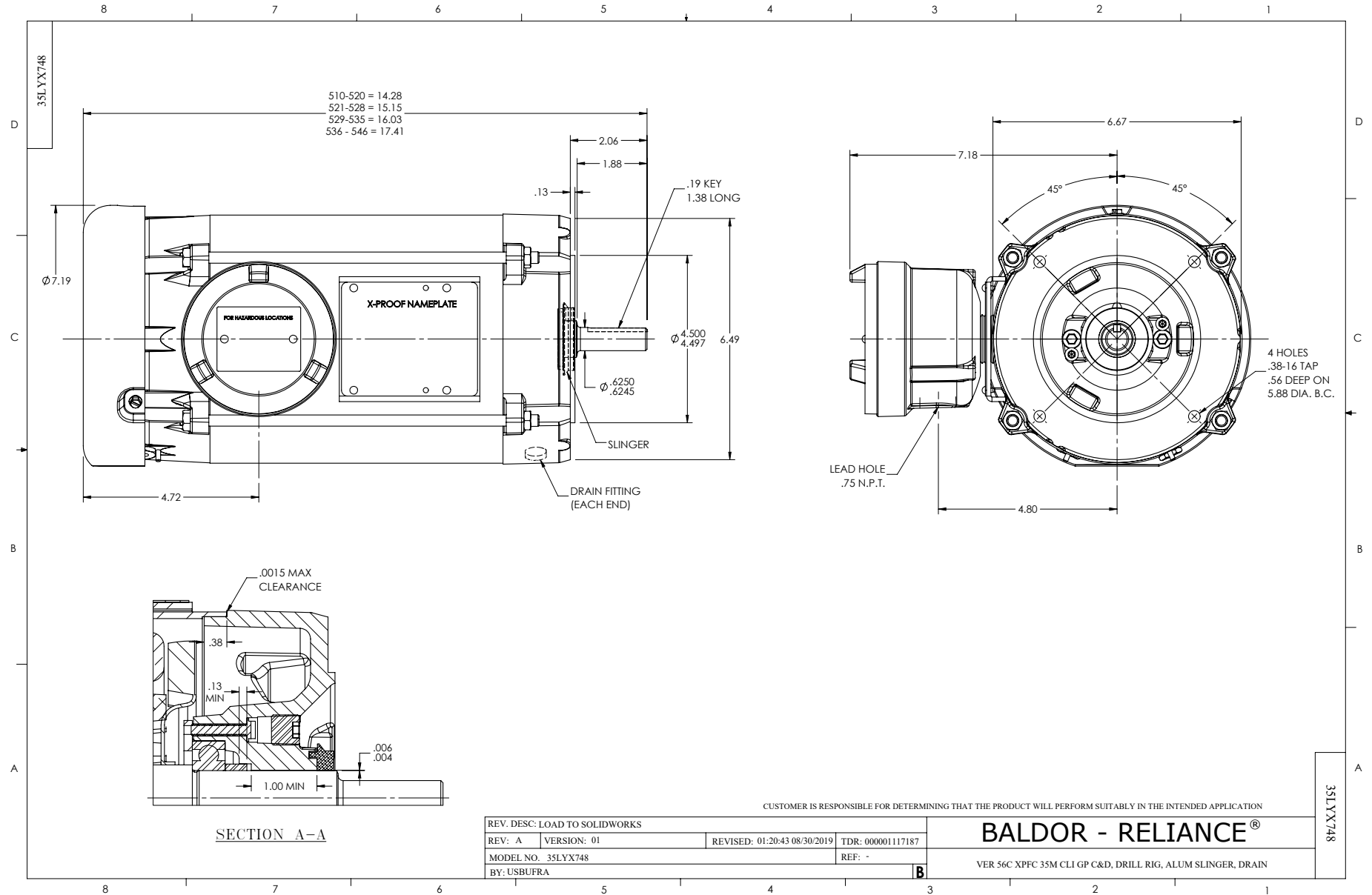
1 HP 3 PH 50 HZ 1474 RPM 380 V 3524M

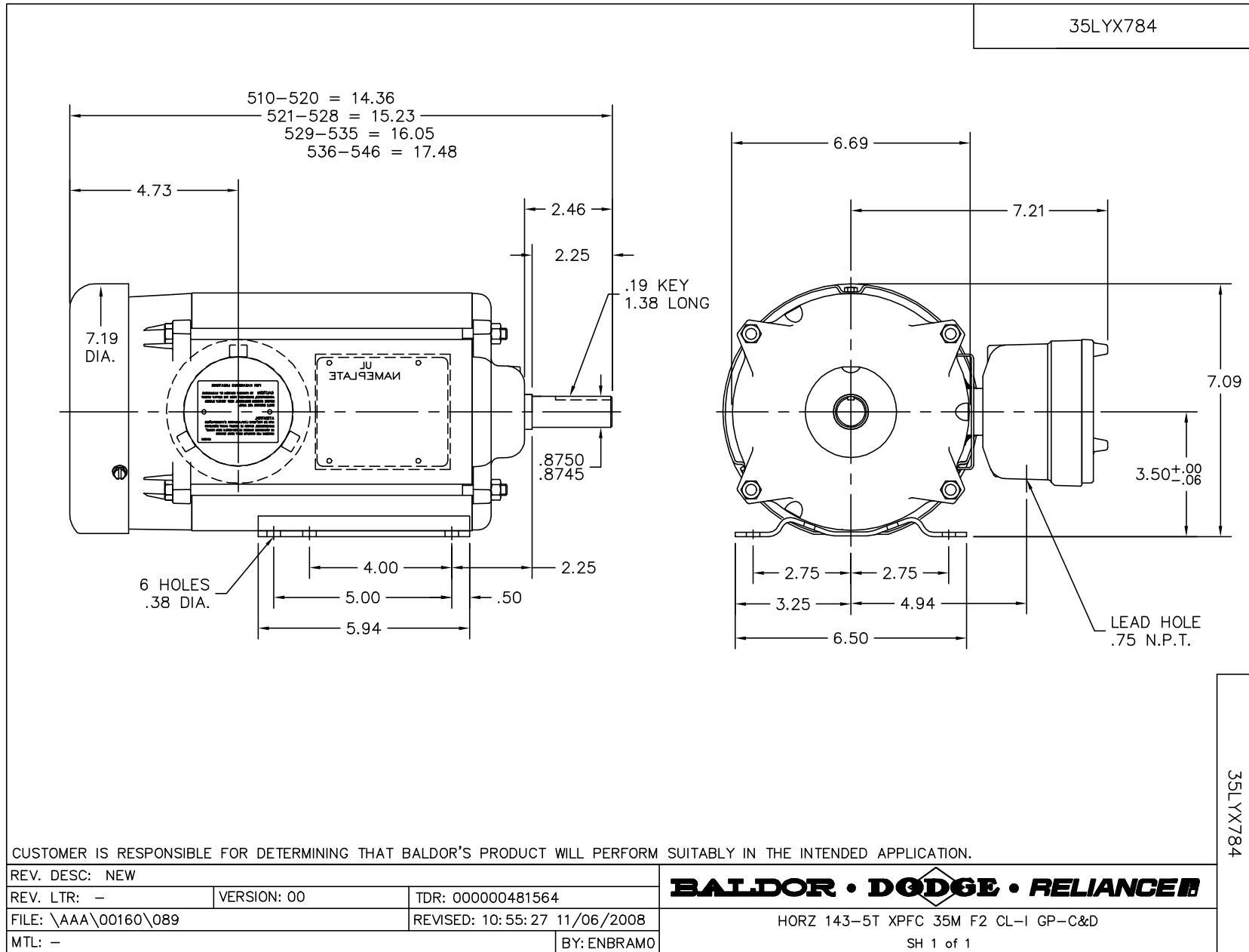
Typical performance - not guaranteed values.

TORQUES (LB-FT): PO=17 PU=9.2 LR=12.1 LRA=18.4



7/8/2026 ACPERF, record # 95399





CD0005



LOW VOLTAGE
(2Y)



LINE

HIGH VOLTAGE
(1Y)



LINE

NOTES:

1. INTERCHANGE ANY TWO LINE LEADS TO REVERSE ROTATION.
2. OPTIONAL THERMOSTATS ARE PROVIDED WHEN SPECIFIED.
3. ACTUAL NUMBER OF INTERNAL PARALLEL CIRCUITS MAY BE A MULTIPLE OF THOSE SHOWN ABOVE.
4. LEAD COLORS ARE OPTIONAL. LEADS MUST ALWAYS BE NUMBERED AS SHOWN.

CD0005

REV. DESC: REVISE TO SHOW OPTIONAL COLORS

REV. LTR: E BY: JLP REVISED: 01/19/99 10:15 TDR: 0171435

500000

FILE: AAA00005140

MDL: -

MTL: -

BALDOR ELECTRIC Co.

3PH, DV, 9 LEADS