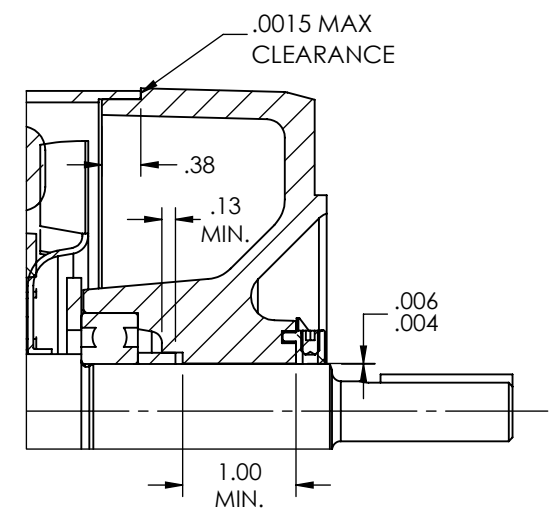
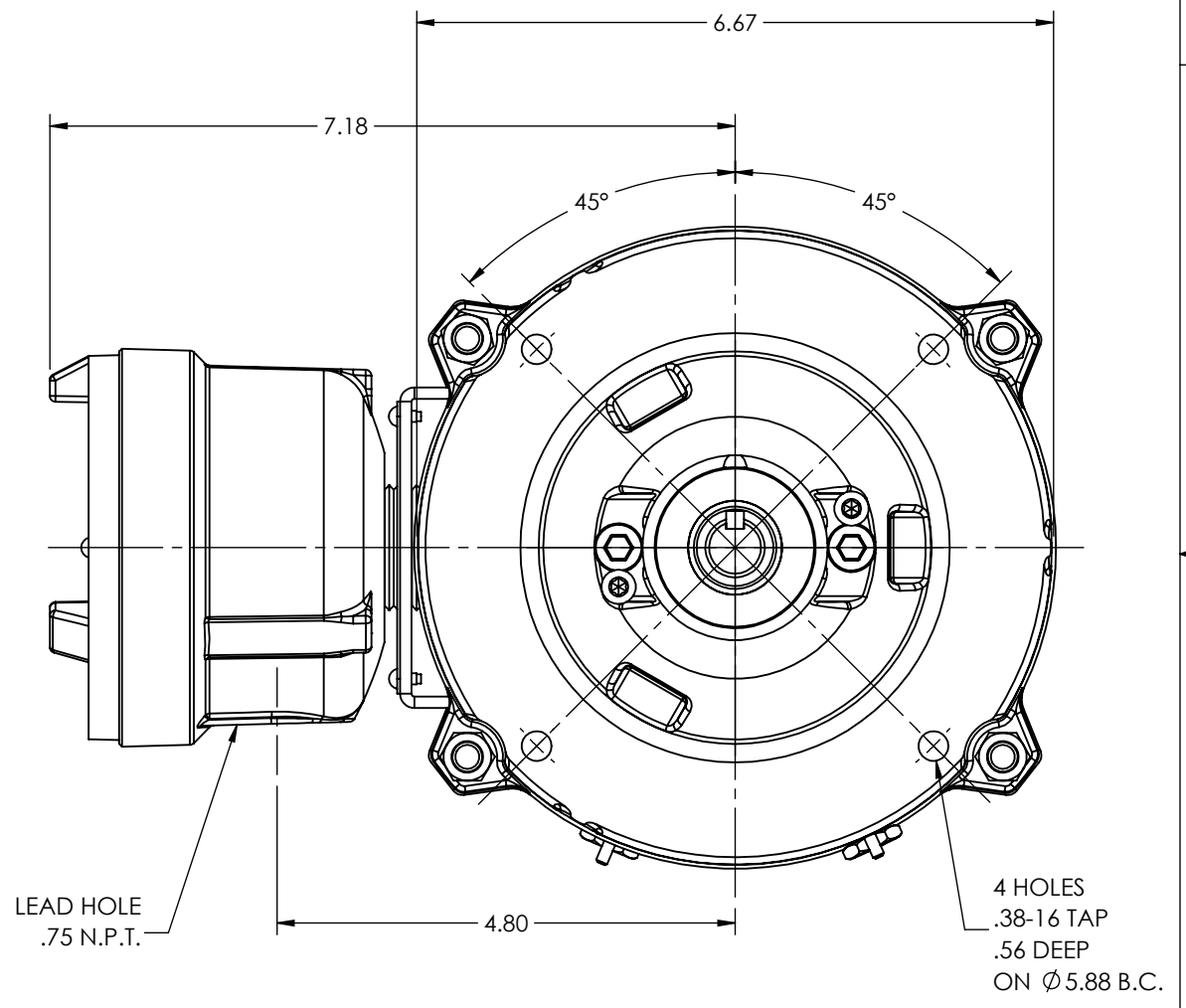
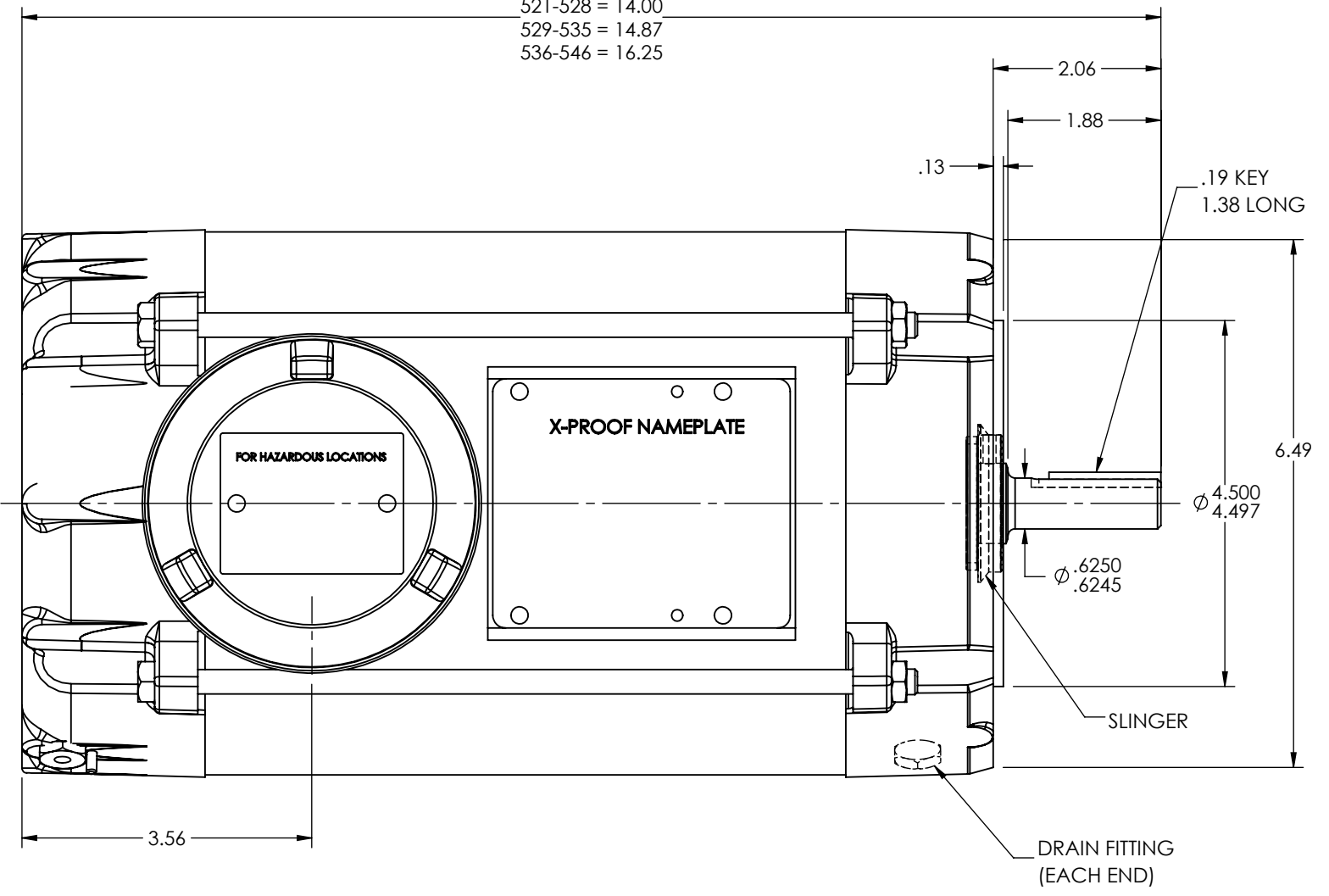


8 7 6 5 4 3 2 1

35LYX727

510-520 = 13.12
 521-528 = 14.00
 529-535 = 14.87
 536-546 = 16.25



CUSTOMER IS RESPONSIBLE FOR DETERMINING THAT THE PRODUCT WILL PERFORM SUITABLY IN THE INTENDED APPLICATION

REV. DESC: LOAD TO SOLIDWORKS			
REV: C	VERSION: 03	REVISED: 02:10:56 08/30/2019	TDR: 000001117187
MODEL NO. 35LYX727			REF: -
BY: USBUFRA			B

BALDOR - RELIANCE®

VERT 56C XPNV M CLI GP C&D, DRILL RIG W/ALUM.SLINGER, DRAINS

35LYX727

8 7 6 5 4 3 2 1