

BALDOR® • RELIANCE™

Customer information packet

VDP3455

1HP, 1750RPM, DC, 56C, 3435P, TEFC, F1, N

Class - None

Division -

Specifications

Armature Voltage	180 V
Base Speed	1750 rpm
Enclosure	TEFC
Frame	56C
Frame Material	Steel
Haz Area Class and Group	None
Output Power	1.000 HP
Ambient Temperature	40 °C
Armature Current	5.0 a
Armature Inertia	13.657 lb-ft ²
Base Indicator	No Mounting
Bearing Grease Type	Polyrex EM (-20F +300F)
Drip Cover	No Drip Cover
Duty Rating	CONT
Feedback Device	NO FEEDBACK
Heater Indicator	No Heater
Insulation Class	F
Lifting Lugs	No Lifting Lugs
Motor Lead Exit	Ko Box
Motor Lead Quantity/Wire Size	2 @ 14 AWG
Motor Lead Termination	Flying Leads
Motor Standards	NEMA
Mounting Arrangement	F1
Overall Length	15.47 IN
Product Family	General Purpose
Pulley End Bearing Type	Sealed Bearing
RoHS Status	ROHS COMPLIANT
Service Factor	1.00
Shaft Diameter	0.625 IN
Shaft Extension Location	Pulley End
Shaft Ground Indicator	No Shaft Grounding
Shaft Rotation	Reversible

Part detail

Revision	J
Type	DC
Mech. spec.	34-6244
Base	
Status	PRD/A
Elec. spec.	34WG3865
Layout	34LY6244
Eff. date	06-05-2024
CD Diagram	CD0194
Poles	00
Leads	
Proprietary	False
Created date	01-24-2018

Shaft Slinger Indicator

No Slinger

Nameplate

NP0891L					
CAT.NO.	VDP3455				
SPEC.	34-6244-3865				
HP	1/KW.75	ENCL	TEFC		
RPM	1750 1/MIN				
FRAME	56C	TYPE	3435P		
ARM V	180	ARM A	5		
FLD V		FLD A			
INSUL	F	AMB.	40		
DUTY	CONT	SUPPLY	1.5		
BRG/DE	6203	BRG/ODE	6203		
BRUSHES	2/BP5000AW14				
		BLANK			
SER.					
BLANK	IP44 KG21 IC411				
APRV-CE	Y	APRV-CSA	Y	APRV-UL	Y

DC Motor Performance Data

Record # 237

Typical performance - not guaranteed values

Winding: 34WG3865-R001		Type: 3435P		Enclosure: TEFC	
Nameplate Data			General Characteristics		
Rated Output (HP)	1	Armature Resistance @ 25°C	1.9971 Ω		
R.P.M.	1750				
Armature Volts	180				
Armature Amps	5				
Field Volts					
Field Amps					
Rating - Duty	40C AMB-CONT				
Form Factor	1.5				

Load Characteristics at 180 Armature Volts

Load Point	1	2	3	4	5	6	7
Armature Amps	0.23	1.41	2.52	3.66	4.83	7.05	9.26
R.P.M.	1870	1829	1794	1755	1720	1643	1590
Torque (LB-FT)	0	0.75	1.51	2.26	3.05	4.55	6.03

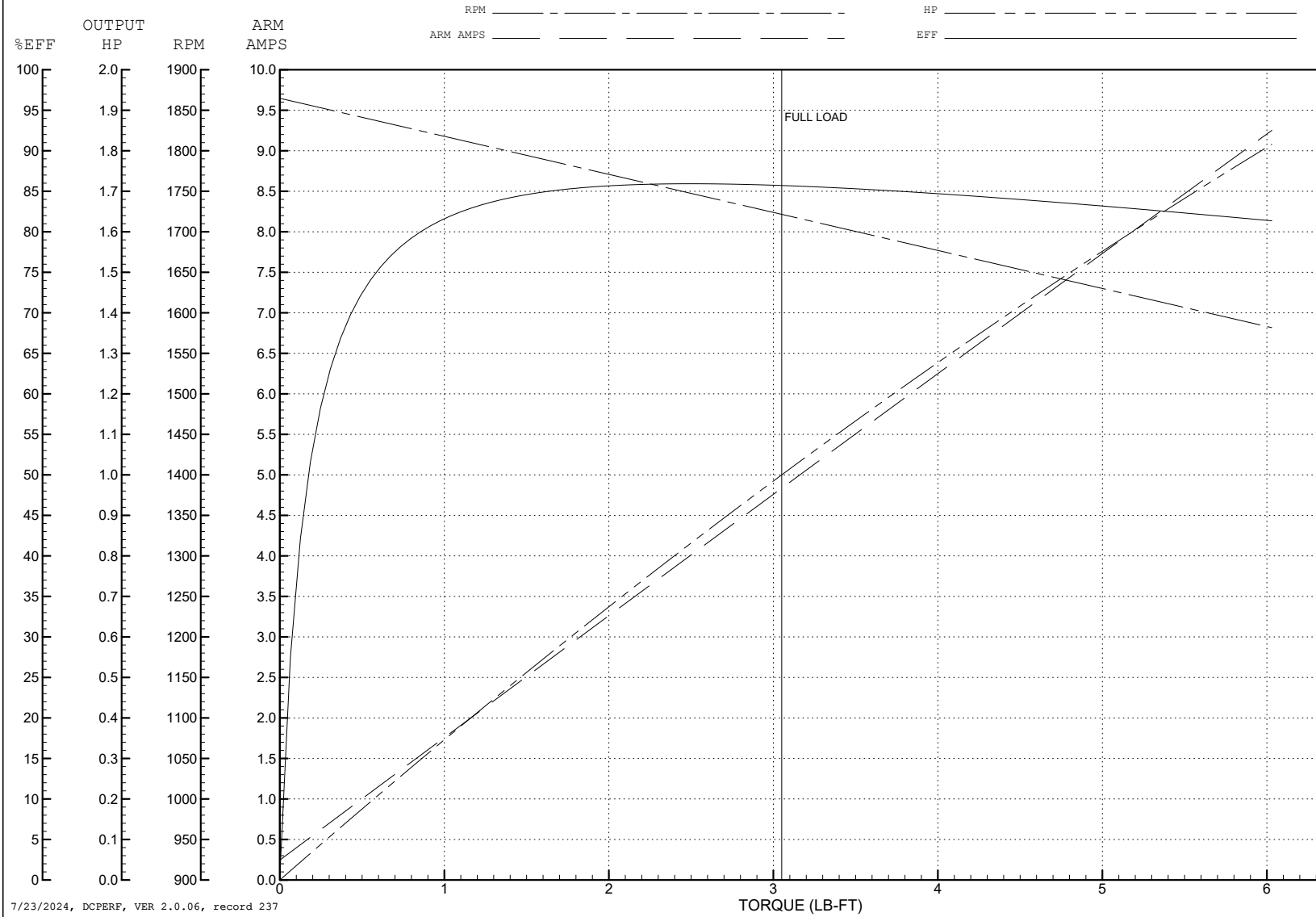
ABB Motors and Mechanical Inc.

WINDING # 34WG3865

1 HP DC 1750 RPM 180 V 3435P

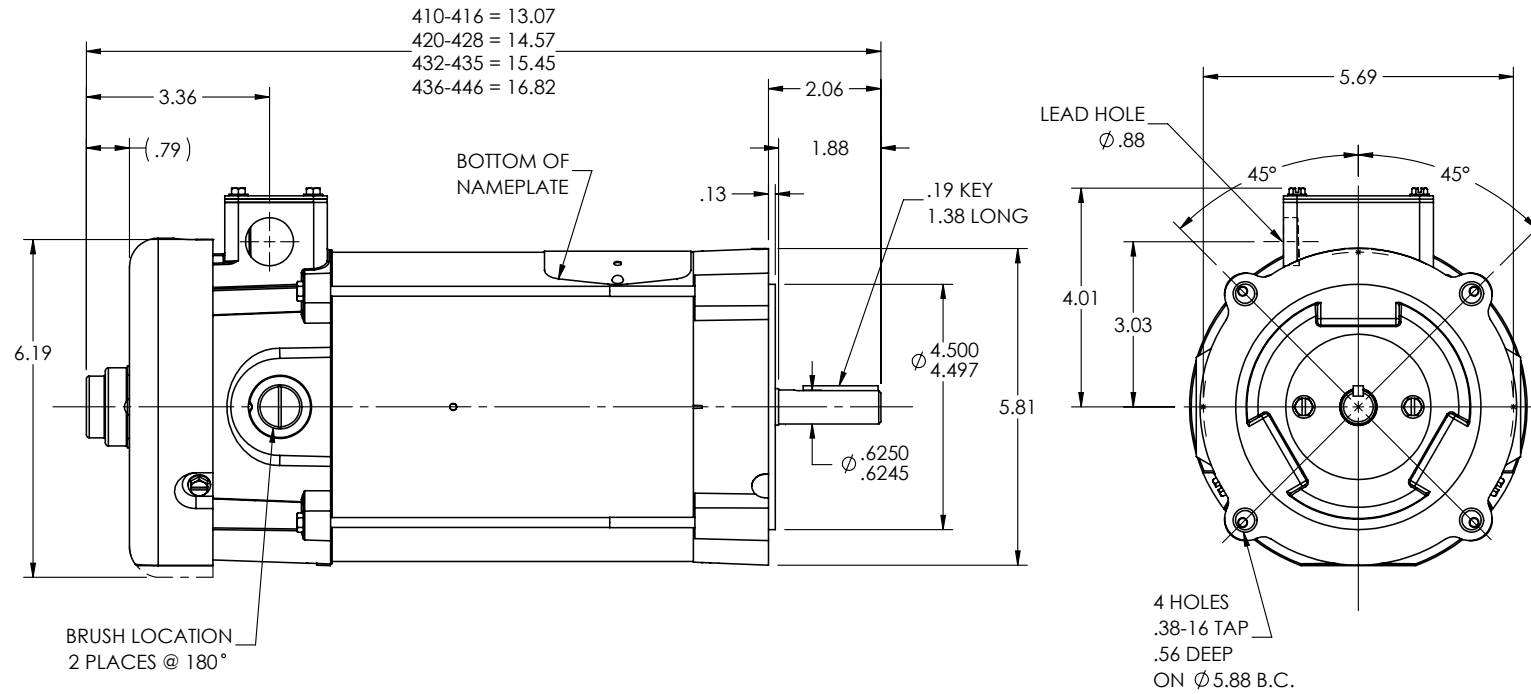
Typical performance - not guaranteed values.

ENCL: TEFC DUTY: CONT CL: F



7/23/2024, DCPERF, VER 2.0.06, record 237

34LY6244



CUSTOMER IS RESPONSIBLE FOR DETERMINING THAT THE PRODUCT WILL PERFORM SUITABLY IN THE INTENDED APPLICATION

REV. DESC: LOAD TO SOLIDWORKS - REV D

REV: E VERSION: 02 REVISED: 08:21:32 04/28/2023 TDR: 000001201165

34LY6244

MODEL NO. 34LY6244
 BY: ENFRAJ0

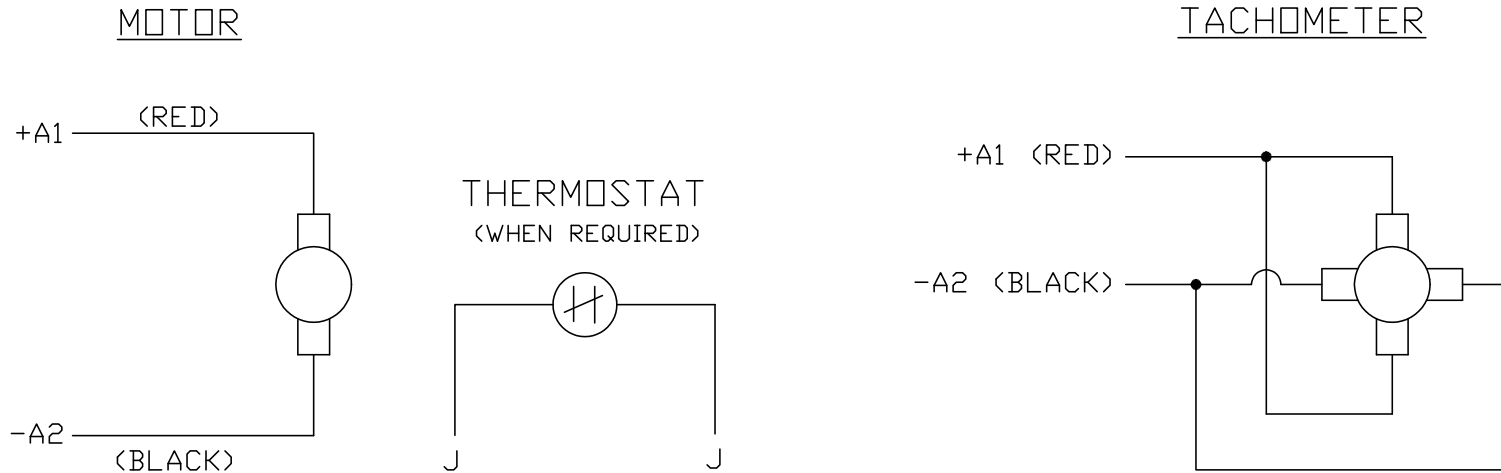
REF: -

BALDOR - RELIANCE®

STD VERT 34PM NEMA 56C W/MFTK & EXT THRU BOLTS

34LY6244

CD0194



NOTES:

1. CCW ROTATION AS SHOWN FACING COMMUTATOR END. TO REVERSE MOTOR ROTATION OR TACHOMETER OUTPUT POLARITY INTERCHANGE LEADS A1<RED> & A2<BLACK>
2. LEAD COLORS FOR REFERENCE ONLY & NOT SPECIFIED BY THIS DRAWING. LEAD COLORS SPECIFIED BY LAYOUT DRAWING & BILL OF MATERIAL ONLY.

MATL: -			
REV: E	ADDED NOTE "LEAD COLORS FOR REFERENCE ONLY &..."		
CD0194	SCALE: -	BY: CK	REVISED: 07/28/95
	FILE: AAA00004503	TDR: 0078737	

BALDOR ELECTRIC Co.

CD TYPE P DC PERMANENT MAGNET MOTORS AND TACHOMETERS

CD0194