

BALDOR® • RELIANCE™

Customer information packet

VDP3440

.75HP, 1750RPM, DC, 56C, 3428P, TEFC, F1, N

Class - None

Division - Not Applicable

Specifications

Armature Voltage	90 V
Base Speed	1750 rpm
Enclosure	TEFC
Frame	56C
Haz Area Class and Group	None
Output Power	0.750 HP
Agency Approvals	CE CSA UR WEEE
Ambient Temperature	40 °C
Armature Current	7.6 a
Armature Inertia	10.926 lb-ft ²
Base Indicator	No Mounting
Bearing Grease Type	Polyrex EM (-20F +300F)
Drip Cover	No Drip Cover
Duty Rating	CONT
Feedback Device	NO FEEDBACK
Haz Area Division	Not Applicable
Heater Indicator	No Heater
Insulation Class	F
Lifting Lugs	No Lifting Lugs
Motor Lead Exit	Ko Box
Motor Lead Quantity/Wire Size	2 @ 14 AWG
Motor Lead Termination	Flying Leads
Motor Standards	NEMA
Mounting Arrangement	F1
Overall Length	14.59 IN
Product Family	General Purpose
Pulley End Bearing Type	Sealed Bearing
RoHS Status	ROHS COMPLIANT
Service Factor	1.00

Part detail

Revision	K
Type	DC
Mech. spec.	34-6244
Base	
Status	PRD/A
Elec. spec.	34WG3662
Layout	34LY6244
Eff. date	10-25-2024
CD Diagram	CD0194
Poles	00
Leads	
Proprietary	False
Created date	01-23-2018

Shaft Diameter	0.625 IN
Shaft Extension Location	Pulley End
Shaft Ground Indicator	No Shaft Grounding
Shaft Rotation	Reversible
Shaft Slinger Indicator	No Slinger

Nameplate

NP0891L					
CAT.NO.	VDP3440				
SPEC.	34-6244-3662G1				
HP	.75/KW.56	ENCL	TEFC		
RPM	1750 1/MIN				
FRAME	56C	TYPE	3428P		
ARM V	90	ARM A	7.6		
FLD V		FLD A			
INSUL	F	AMB.	40		
DUTY	CONT	SUPPLY	1.5		
BRG/DE	6203	BRG/ODE	6203		
BRUSHES	2/BP5000BK08				
		BLANK			
SER.					
BLANK	IP44 KG19 IC411				
APRV-CE	Y	APRV-CSA	Y	APRV-UL	Y

DC Motor Performance Data

Record # 2650

Typical performance - not guaranteed values

Winding: 34WG3662-R001		Type: 3428P		Enclosure: TEFC	
Nameplate Data			General Characteristics		
Rated Output (HP)	0.75	Armature Resistance @ 25°C	0.7344 Ω		
R.P.M.	1750	Voltage Constant	45.88 v/krpm		
Armature Volts	90	Armature Inductance	6.683 mH		
Armature Amps	7.6	Armature Inertia	10.9256 LI ²		
Field Volts					
Field Amps					
Rating - Duty	40C AMB-CONT				
Form Factor	1.5				

Load Characteristics at 90 Armature Volts

Load Point	1	2	3	4	5	6	7
Armature Amps	0.9	2.15	4.52	5.83	7.69	9.6	11.13
R.P.M.	1933	1889	1851	1825	1798	1759	1720
Torque (LB-FT)	0	0.56	1.12	1.68	2.25	2.81	3.38

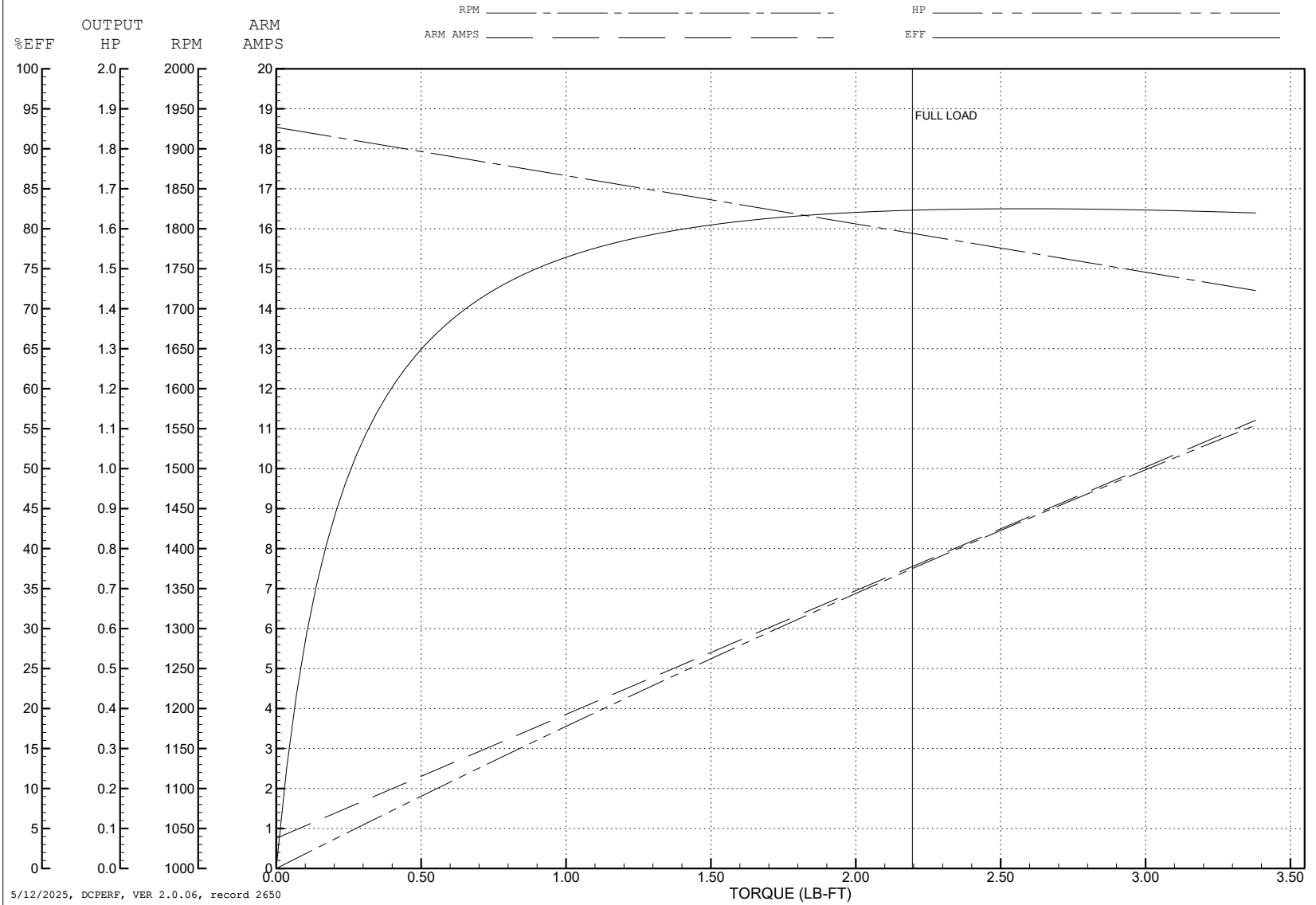
ABB Motors and Mechanical Inc.

WINDING # 34WG3662

Typical performance - not guaranteed values.

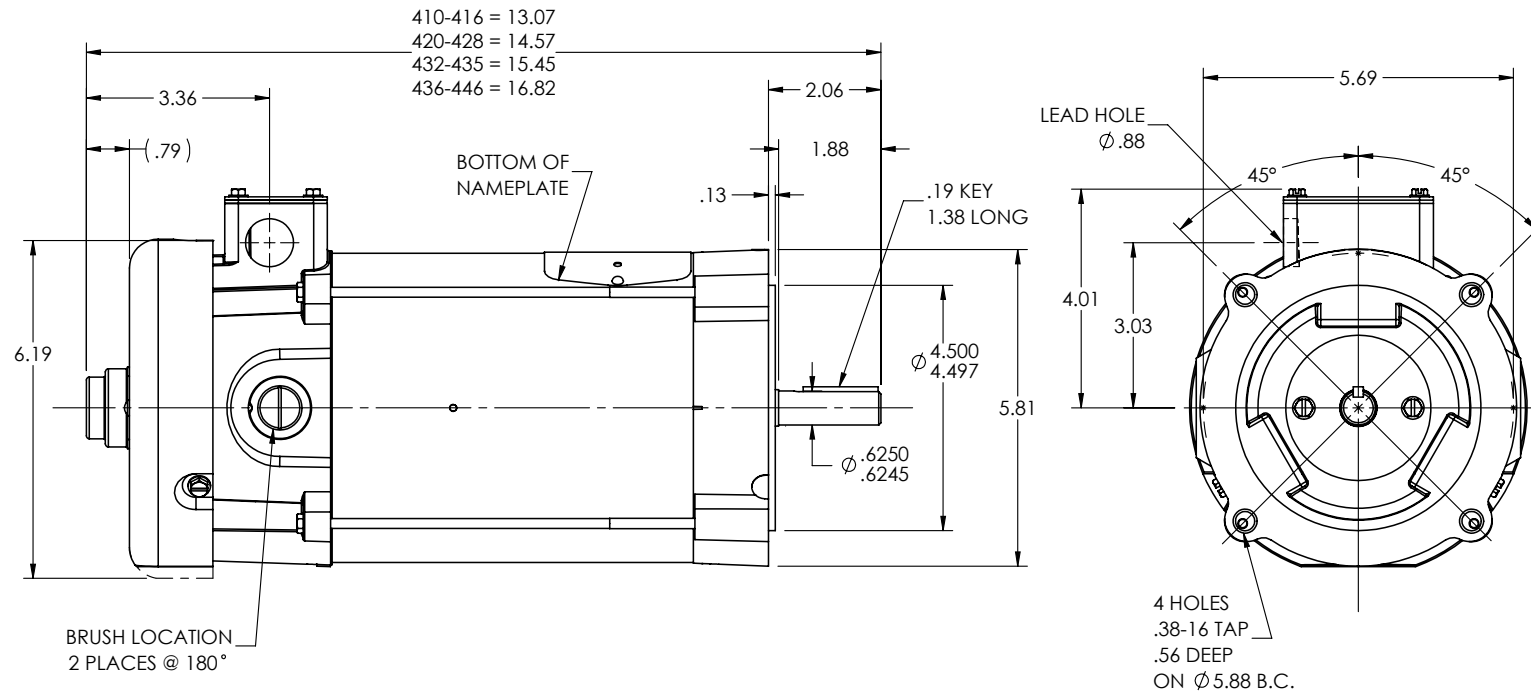
0.75 HP DC 1750 RPM 90 V 3428P

ENCL: TEFC DUTY: CONT CL: F



5/12/2025, DCPERF, VER 2.0.06, record 2650

34LY6244



CUSTOMER IS RESPONSIBLE FOR DETERMINING THAT THE PRODUCT WILL PERFORM SUITABLY IN THE INTENDED APPLICATION

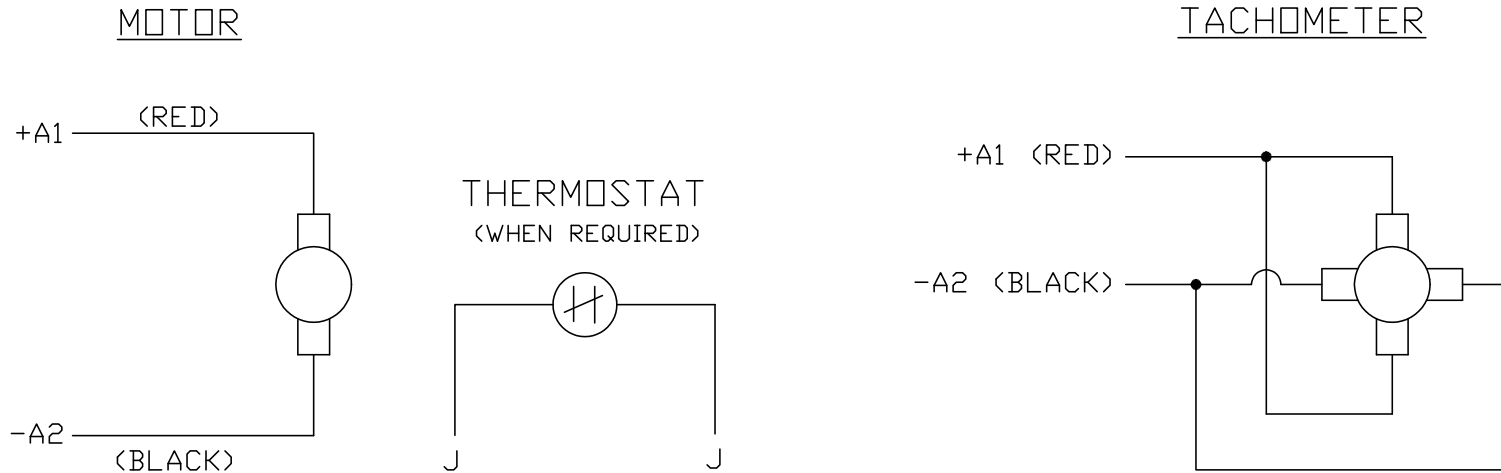
REV. DESC: LOAD TO SOLIDWORKS - REV D			
REV: E	VERSION: 02	REVISED: 08:21:32 04/28/2023	TDR: 000001201165
34LY6244		MODEL NO. 34LY6244	REF: -
		BY: ENFRAJ0	

BALDOR - RELIANCE®

STD VERT 34PM NEMA 56C W/MFTK & EXT THRU BOLTS

34LY6244

CD0194



NOTES:

1. CCW ROTATION AS SHOWN FACING COMMUTATOR END. TO REVERSE MOTOR ROTATION OR TACHOMETER OUTPUT POLARITY INTERCHANGE LEADS A1(RED) & A2(BLACK)
2. LEAD COLORS FOR REFERENCE ONLY & NOT SPECIFIED BY THIS DRAWING. LEAD COLORS SPECIFIED BY LAYOUT DRAWING & BILL OF MATERIAL ONLY.

MATL: -			
REV: E	ADDED NOTE "LEAD COLORS FOR REFERENCE ONLY &..."		
CD0194	SCALE: -	BY: CK	REVISED: 07/28/95
	FILE: AAA00004503	TDR: 0078737	

BALDOR ELECTRIC Co.

CD TYPE P DC PERMANENT MAGNET MOTORS AND TACHOMETERS

CD0194