

# ABB BALDOR RELIANCE III

---

## Customer information packet

VDP3436

.75HP, 1750RPM, DC, 56C, 3428P, TEFC, F1, N

Class - None

Division -

**Specifications**

<b>Armature Voltage</b>	180 V
<b>Base Speed</b>	1750 rpm
<b>Enclosure</b>	TEFC
<b>Frame</b>	56C
<b>Frame Material</b>	Steel
<b>Haz Area Class and Group</b>	None
<b>Output Power</b>	0.750 HP
<b>Ambient Temperature</b>	40 °C
<b>Armature Current</b>	3.7 a
<b>Armature Inertia</b>	10.926 lb-ft <sup>2</sup>
<b>Base Indicator</b>	No Mounting
<b>Bearing Grease Type</b>	Polyrex EM (-20F +300F)
<b>Drip Cover</b>	No Drip Cover
<b>Duty Rating</b>	CONT
<b>Feedback Device</b>	NO FEEDBACK
<b>Heater Indicator</b>	No Heater
<b>Insulation Class</b>	F
<b>Lifting Lugs</b>	No Lifting Lugs
<b>Motor Lead Exit</b>	Ko Box
<b>Motor Lead Quantity/Wire Size</b>	2 @ 14 AWG
<b>Motor Lead Termination</b>	Flying Leads
<b>Motor Standards</b>	NEMA
<b>Mounting Arrangement</b>	F1
<b>Overall Length</b>	14.59 IN
<b>Product Family</b>	General Purpose
<b>Pulley End Bearing Type</b>	Sealed Bearing
<b>Service Factor</b>	1.00
<b>Shaft Diameter</b>	0.625 IN
<b>Shaft Extension Location</b>	Pulley End
<b>Shaft Ground Indicator</b>	No Shaft Grounding
<b>Shaft Rotation</b>	Reversible
<b>Shaft Slinger Indicator</b>	No Slinger

**Part Detail**

<b>Revision</b>	L
<b>Type</b>	DC
<b>Mech. spec.</b>	34-6244
<b>Base</b>	
<b>Status</b>	PRD/A
<b>Elec. spec.</b>	34WG3946
<b>Layout</b>	34LY6244
<b>Eff. date</b>	10-25-2024
<b>CD Diagram</b>	CD0194
<b>Poles</b>	00
<b>Leads</b>	
<b>Proprietary</b>	False
<b>Created date</b>	01-24-2018

**Nameplate**

<b>NP0891L</b>			
<b>CAT.NO.</b>	VDP3436		
<b>SPEC.</b>	34-6244-3946		
<b>HP</b>	.75/KW.56	<b>ENCL</b>	TEFC
<b>RPM</b>	1750 1/MIN		
<b>FRAME</b>	56C	<b>TYPE</b>	3428P
<b>ARM V</b>	180	<b>ARM A</b>	3.7
<b>FLD V</b>		<b>FLD A</b>	
<b>INSUL</b>	F	<b>AMB.</b>	40
<b>DUTY</b>	S1 CONT	<b>SUPPLY</b>	1.5
<b>BRG/DE</b>	6203	<b>BRG/ODE</b>	6203
<b>BRUSHES</b>	2/BP5000AW14		
		<b>BLANK</b>	
<b>SER.</b>			
<b>BLANK</b>	IP44 KG19 IC411		
<b>APRV-CE</b>	Y	<b>APRV-CSA</b>	Y
		<b>APRV-UL</b>	Y

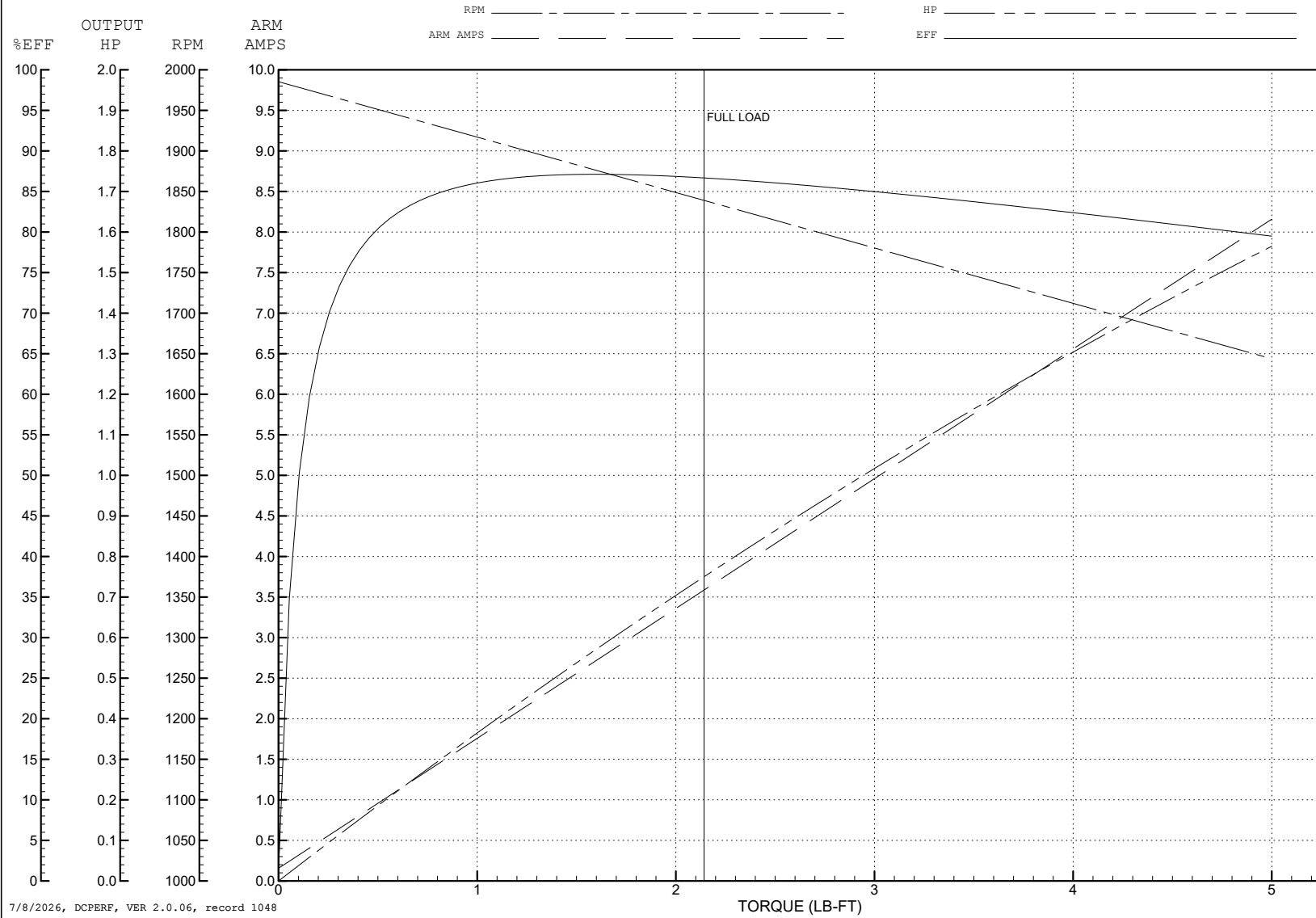
ABB Motors and Mechanical Inc.

WINDING # 34WG3946

Typical performance - not guaranteed values.

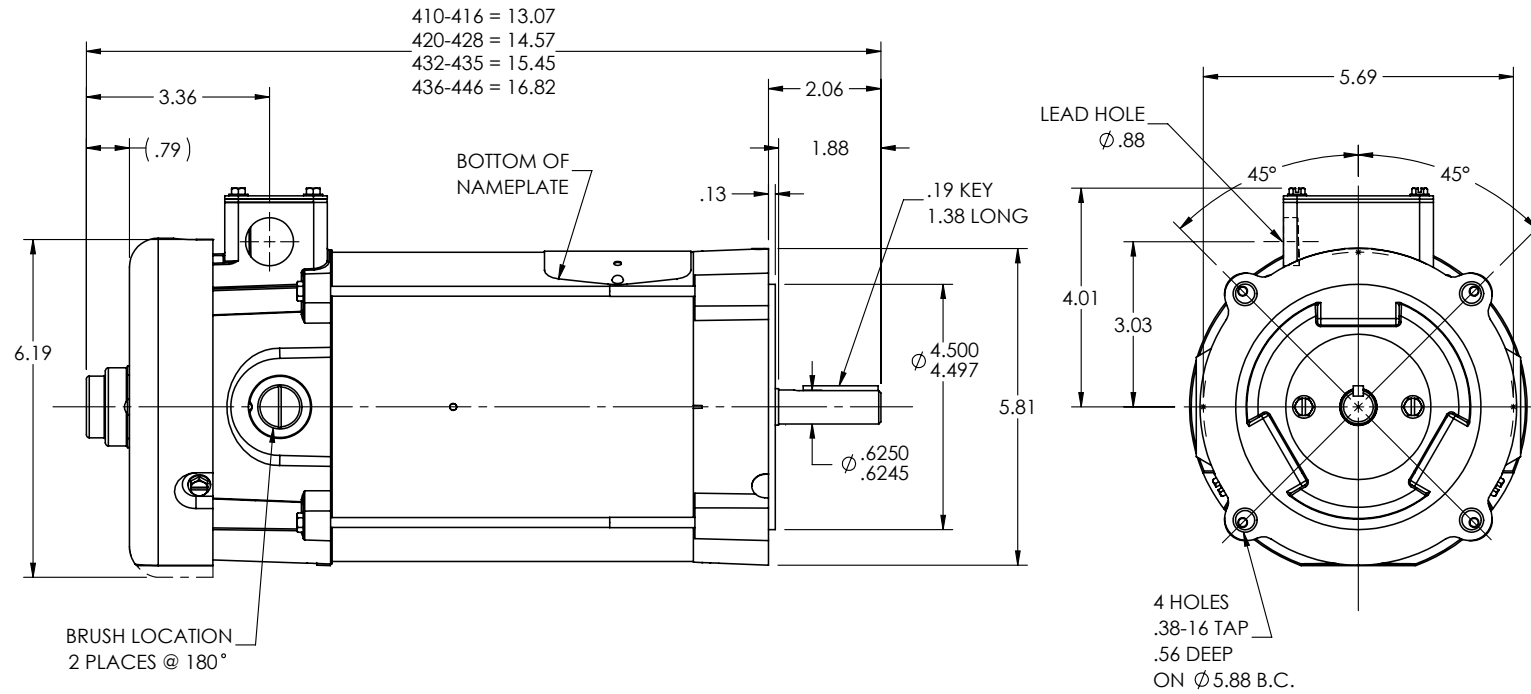
0.75 HP DC 1750 RPM 180 V 3428P

ENCL: TEFC DUTY: CONT CL: F



7/8/2026, DCPERF, VER 2.0.06, record 1048

34LY6244



CUSTOMER IS RESPONSIBLE FOR DETERMINING THAT THE PRODUCT WILL PERFORM SUITABLY IN THE INTENDED APPLICATION

REV. DESC: LOAD TO SOLIDWORKS - REV D

REV: E    VERSION: 02    REVISED: 08:21:32 04/28/2023    TDR: 000001201165

34LY6244

MODEL NO. 34LY6244  
BY: ENFRAJ0

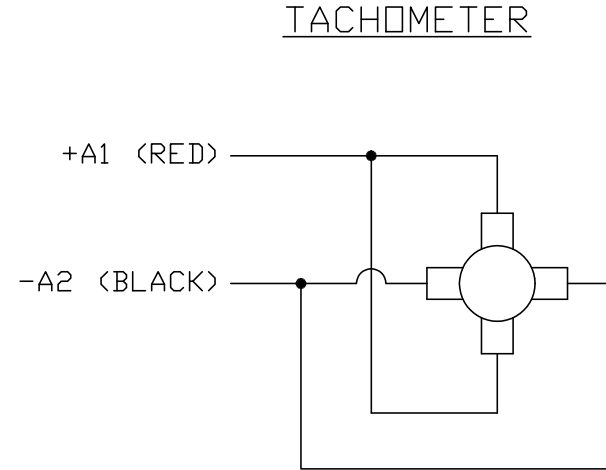
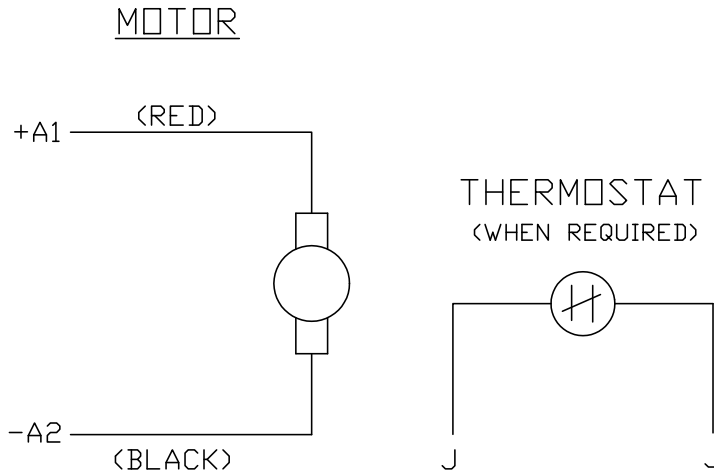
REF: -

**BALDOR - RELIANCE®**

STD VERT 34PM NEMA 56C W/MFTK & EXT THRU BOLTS

34LY6244

CD0194



NOTES:

1. CCW ROTATION AS SHOWN FACING COMMUTATOR END. TO REVERSE MOTOR ROTATION OR TACHOMETER OUTPUT POLARITY INTERCHANGE LEADS A1(RED) & A2(BLACK)
2. LEAD COLORS FOR REFERENCE ONLY & NOT SPECIFIED BY THIS DRAWING. LEAD COLORS SPECIFIED BY LAYOUT DRAWING & BILL OF MATERIAL ONLY.

MATL: -			
REV: E	ADDED NOTE "LEAD COLORS FOR REFERENCE ONLY &..."		
CD0194	SCALE: -	BY: CK	REVISED: 07/28/95
	FILE: AAA00004503	TDR: 0078737	

**BALDOR ELECTRIC Co.**

CD TYPE P DC PERMANENT MAGNET MOTORS AND TACHOMETERS

CD0194