

ABB BALDOR RELIANCE III



Customer information packet

VDP3320

.33HP, 1750RPM, DC, 56C, 3327P, TENV, F1, N

Copyright © All product information within this document is subject to ABB Motors and Mechanical Inc. copyright © protection, unless otherwise noted.

7/8/2026 5:13:55 PM

Specifications

Armature Voltage	90 V
Base Speed	1750 rpm
Enclosure	TENV
Frame	56C
Frame Material	Steel
Output Power	0.330 HP
Ambient Temperature	40 °C
Armature Current	3.2 a
Armature Inertia	10.535 lb-ft ²
Base Indicator	No Mounting
Bearing Grease Type	Polyrex EM (-20F +300F)
Drip Cover	No Drip Cover
Duty Rating	CONT
Feedback Device	NO FEEDBACK
Heater Indicator	No Heater
Insulation Class	F
Lifting Lugs	No Lifting Lugs
Motor Lead Exit	Ko Box
Motor Lead Quantity/Wire Size	2 @ 18 AWG
Motor Lead Termination	Flying Leads
Motor Standards	NEMA
Mounting Arrangement	F1
Overall Length	13.19 IN
Product Family	General Purpose
Pulley End Bearing Type	Sealed Bearing
RoHS Status	ROHS COMPLIANT
Service Factor	1.00
Shaft Extension Location	Pulley End
Shaft Ground Indicator	No Shaft Grounding
Shaft Rotation	Reversible
Shaft Slinger Indicator	No Slinger

Part Detail

Revision	D
Type	DC
Mech. spec.	33-2644
Base	
Status	PRD/A
Elec. spec.	33WGZ102
Layout	33LY2644
Eff. date	10-24-2024
CD Diagram	CD0194
Poles	00
Leads	
Proprietary	False
Created date	01-22-2018

Nameplate

NP0111L			
CAT.NO.	VDP3320		
SPEC.	33-2644Z102		
HP	.33	ENCL	TENV
RPM	1750		
FRAME	56C	TYPE	3327P
ARM V	90	ARM A	3.2
FLD V		FLD A	
INSUL	F	AMB.	40
DUTY	CONT	SUPPLY	1.3
BRG/DE	6203	BRG/ODE	6203
BRUSHES	2/BP5011T01		
	BLANK		
SER.			
BLANK			
APRV-CSA		APRV-UL	

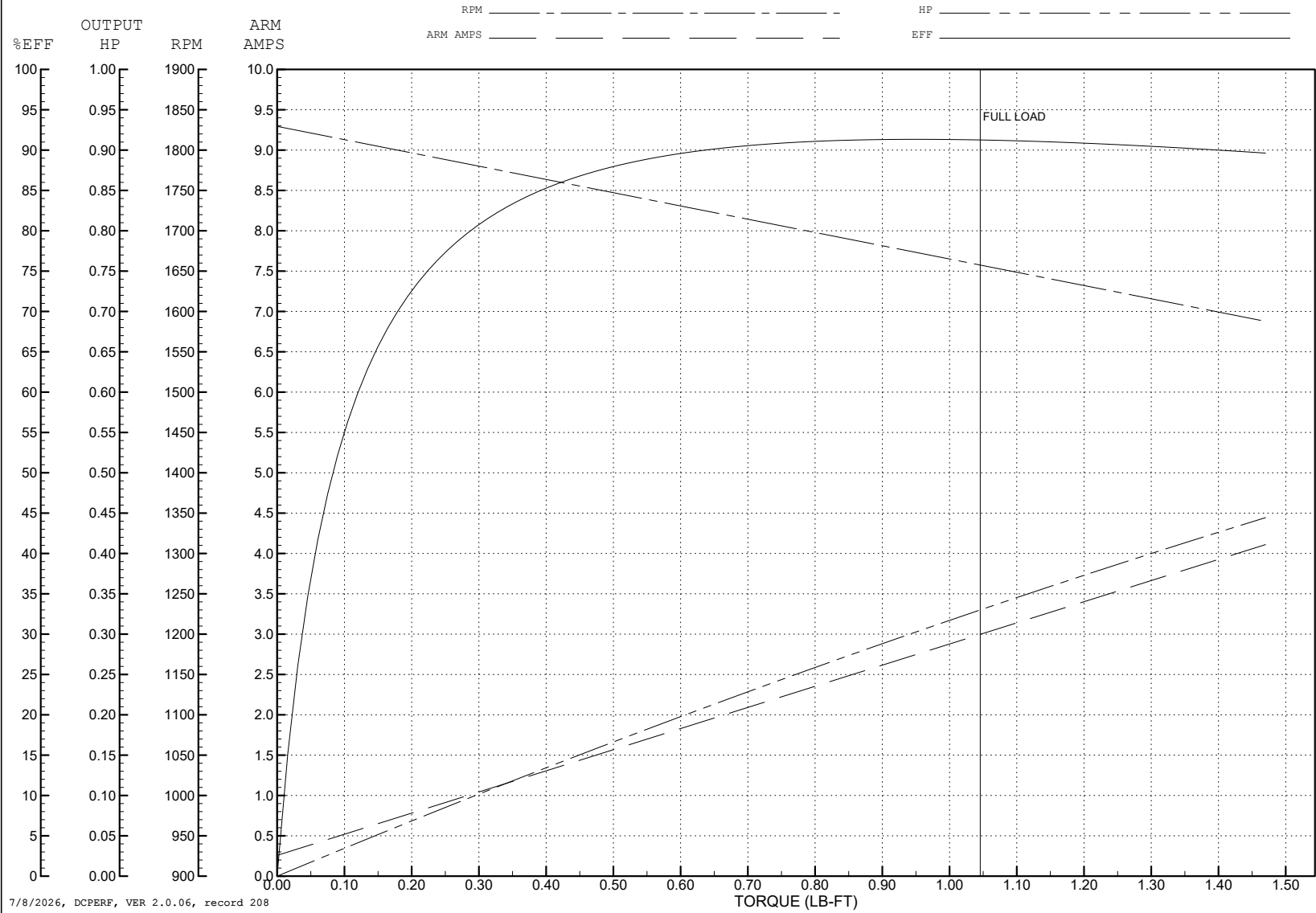
ABB Motors and Mechanical Inc.

WINDING # 33WGZ102

0.33 HP DC 1750 RPM 90 V 3327P

Typical performance - not guaranteed values.

ENCL: TENV DUTY: CONT CL: F



7/8/2026, DCPERF, VER 2.0.06, record 208

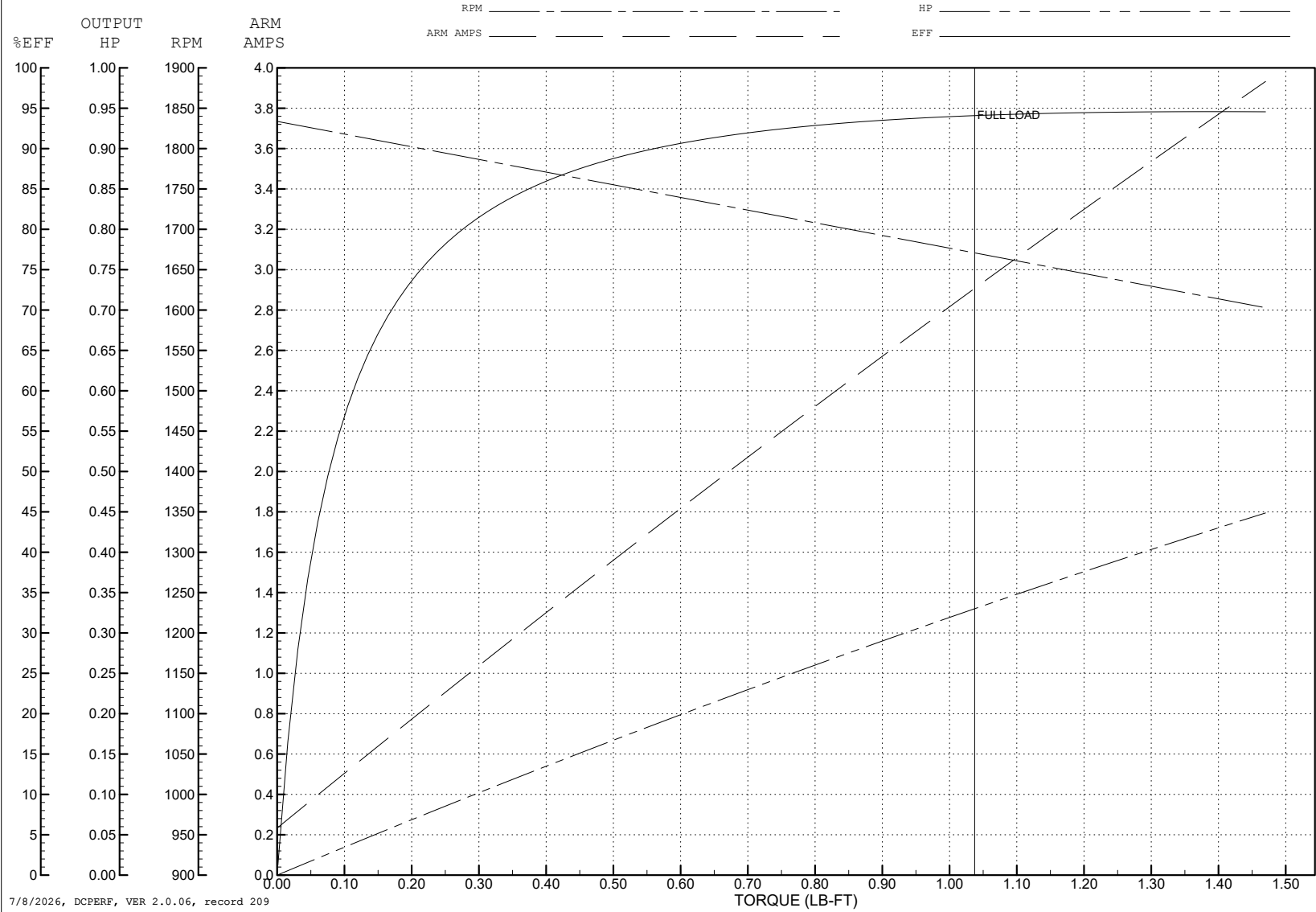
ABB Motors and Mechanical Inc.

WINDING # 33WGZ102

0.33 HP DC 1750 RPM 90 V 3327P

Typical performance - not guaranteed values.

ENCL: TENV DUTY: CONT CL: F



7/8/2026, DCPERF, VER 2.0.06, record 209

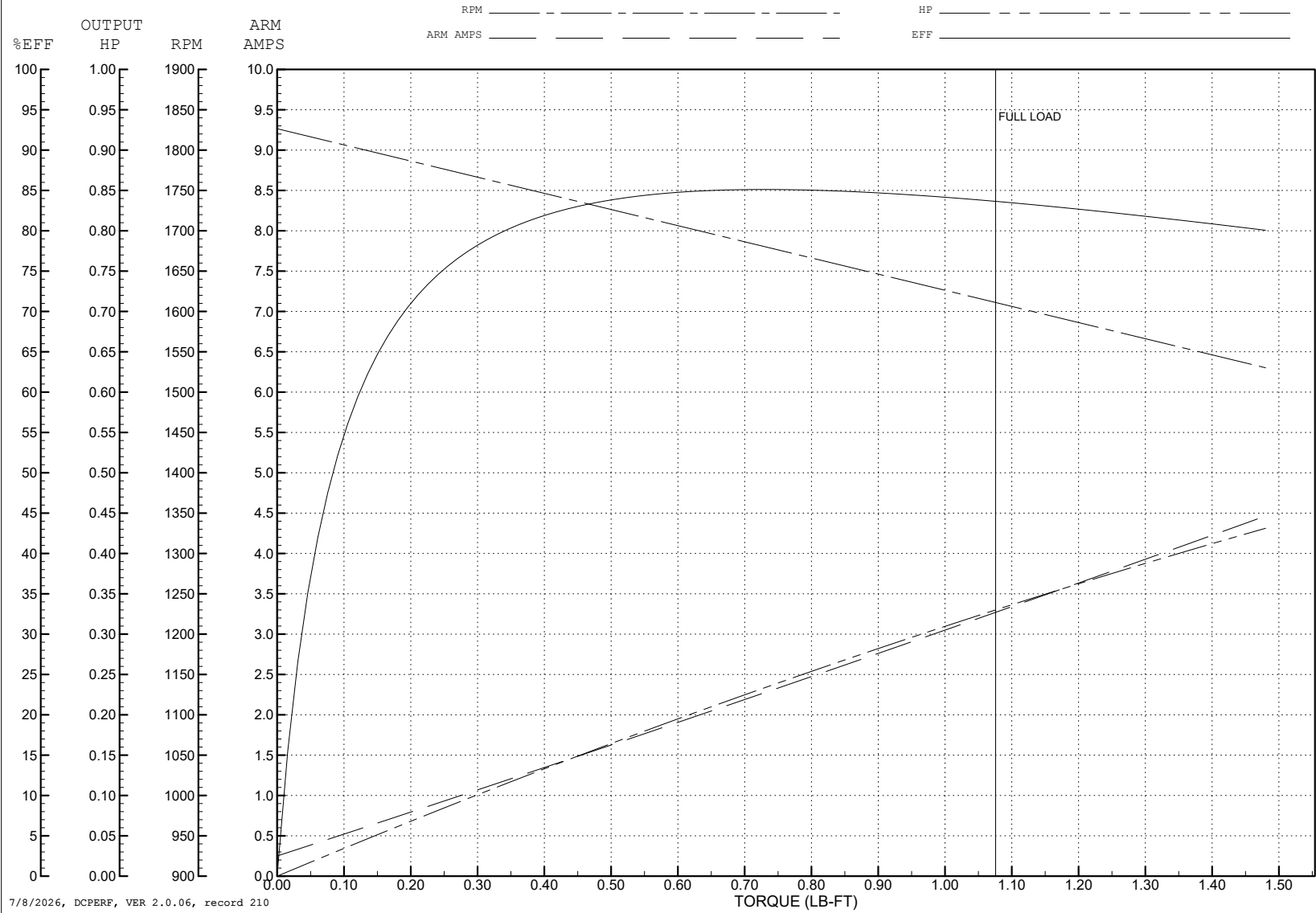
ABB Motors and Mechanical Inc.

WINDING # 33WGZ102

0.33 HP DC 1750 RPM 90 V 3327P

Typical performance - not guaranteed values.

ENCL: TENV DUTY: CONT CL: F



7/8/2026, DCPERF, VER 2.0.06, record 210

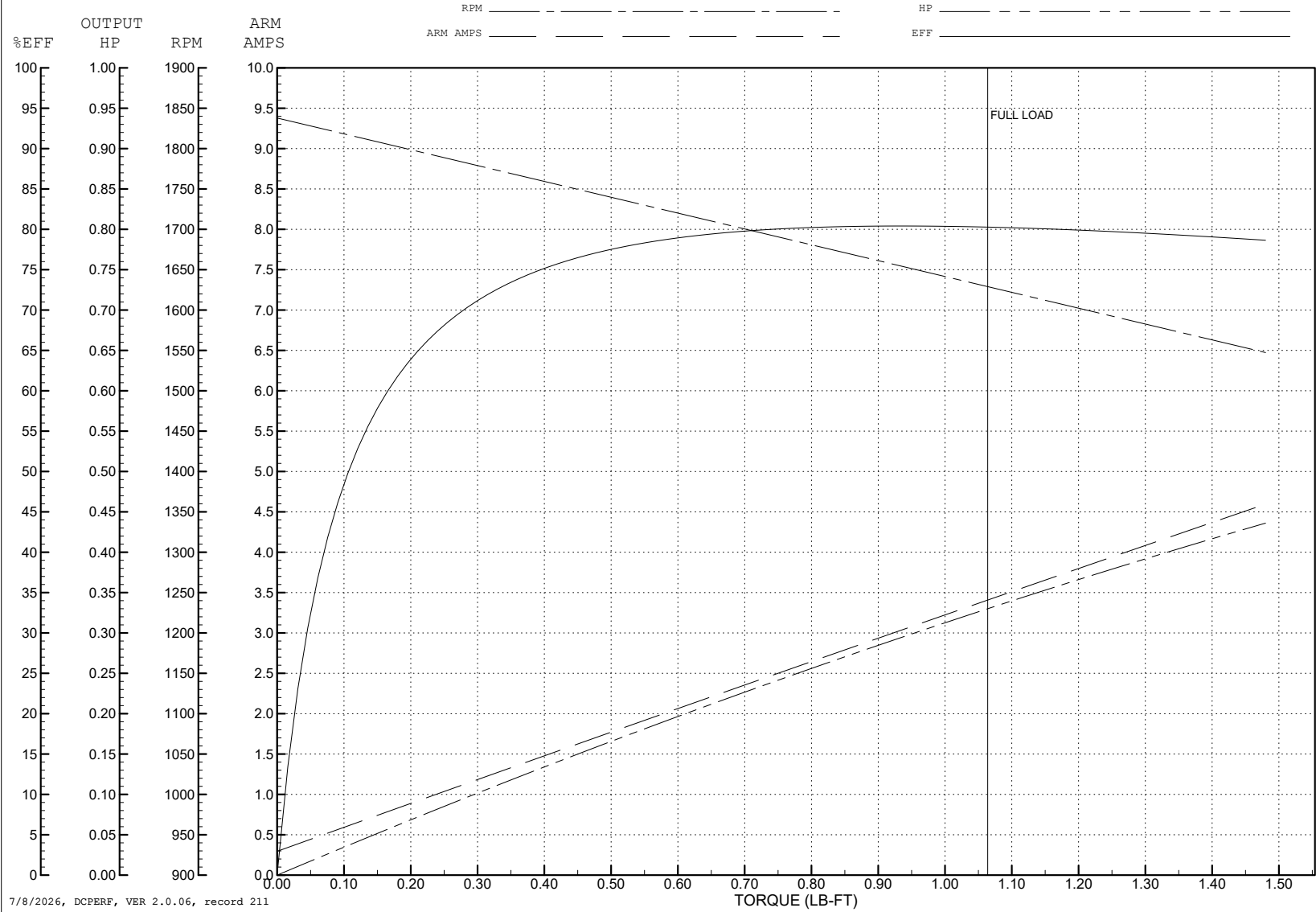
ABB Motors and Mechanical Inc.

WINDING # 33WGZ102

0.33 HP DC 1750 RPM 90 V 3327P

Typical performance - not guaranteed values.

ENCL: TENV DUTY: CONT CL: F



7/8/2026, DCPERF, VER 2.0.06, record 211

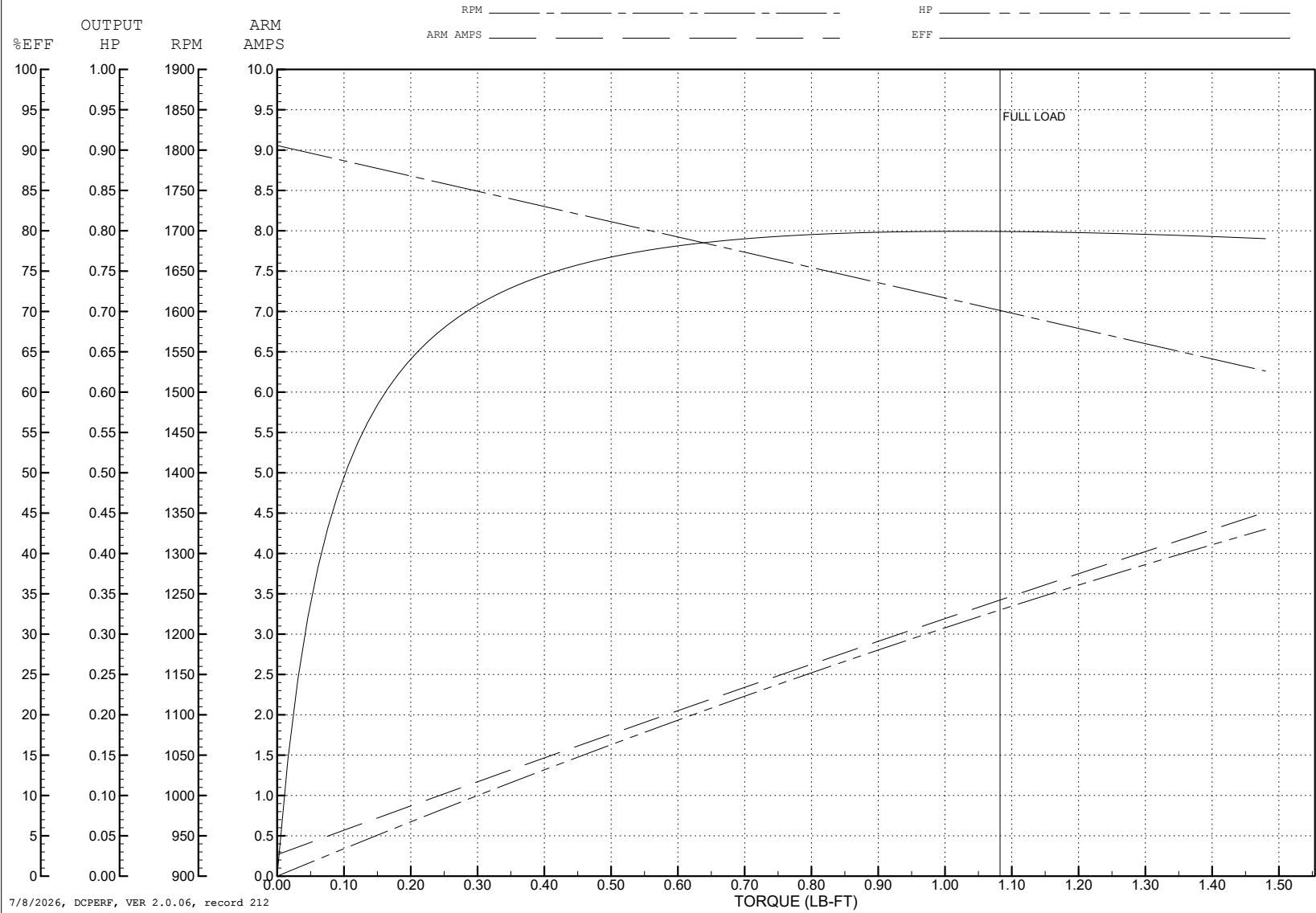
ABB Motors and Mechanical Inc.

WINDING # 33WGZ102

0.33 HP DC 1750 RPM 90 V 3327P

Typical performance - not guaranteed values.

ENCL: TENV DUTY: CONT CL: F



7/8/2026, DCPERF, VER 2.0.06, record 212

ABB Motors and Mechanical Inc.

WINDING # 33WGZ102

0.33 HP DC 1750 RPM 90 V 3327P

Typical performance - not guaranteed values.

ENCL: TENV DUTY: CONT CL: F

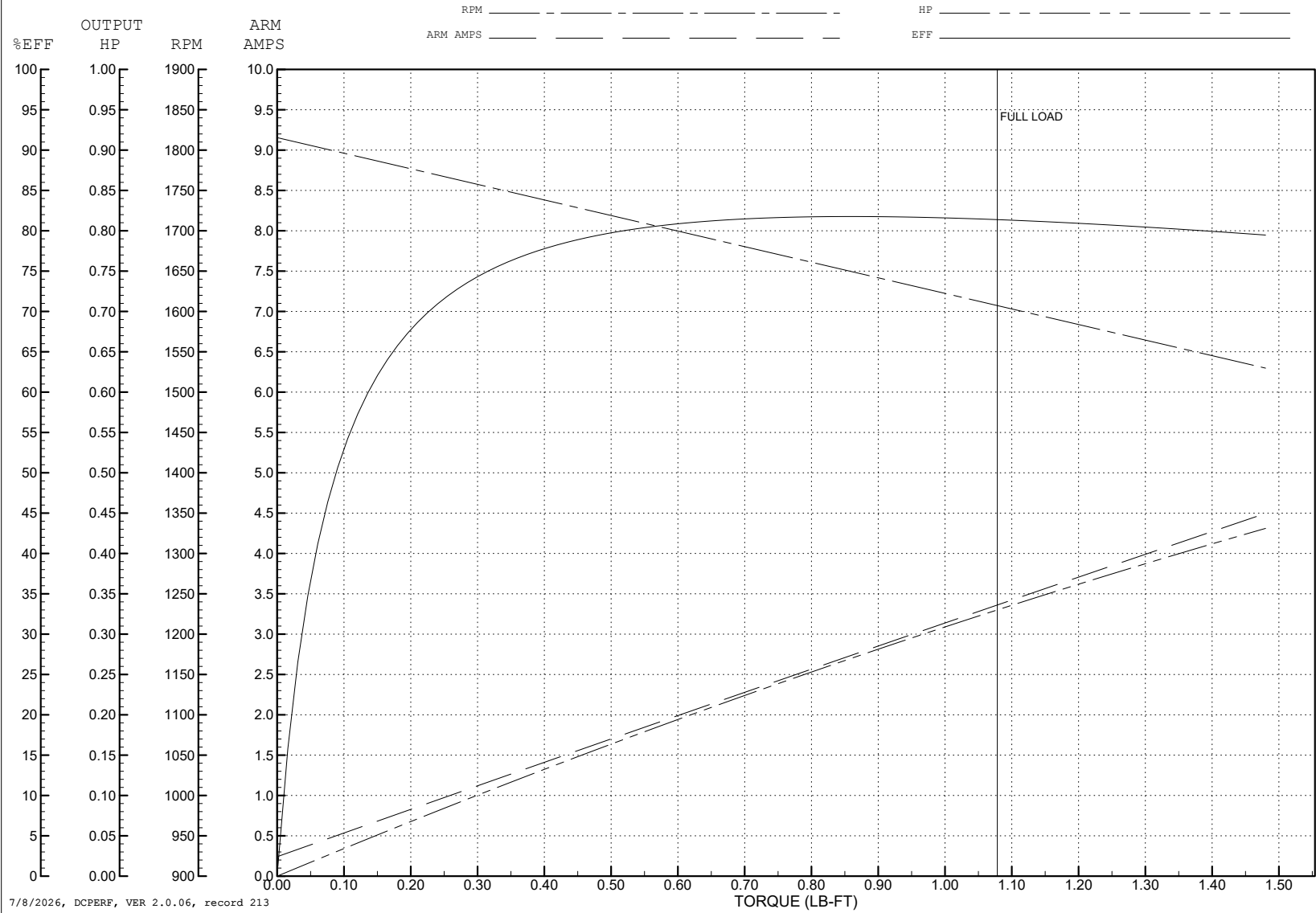


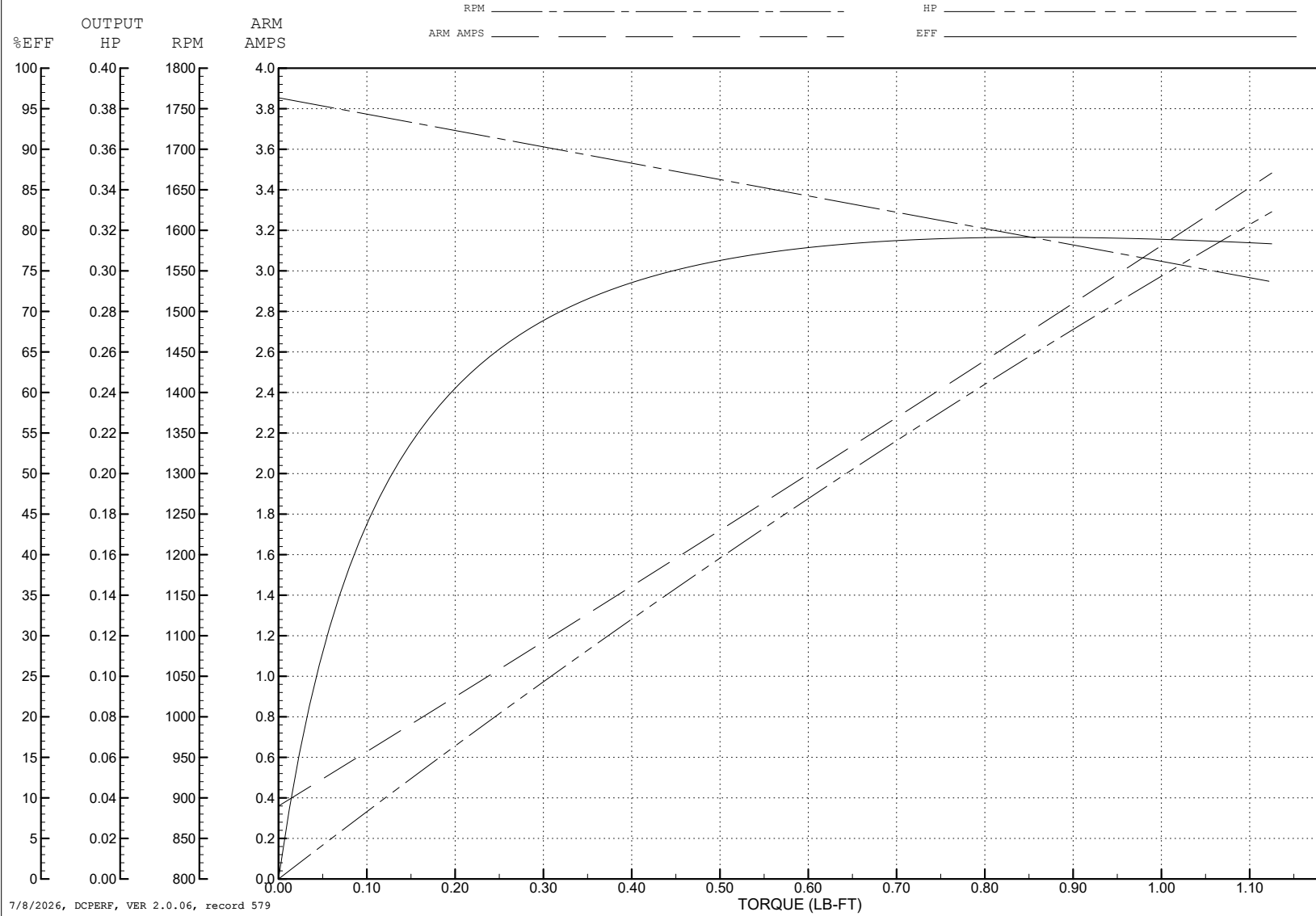
ABB Motors and Mechanical Inc.

WINDING # 33WGZ102

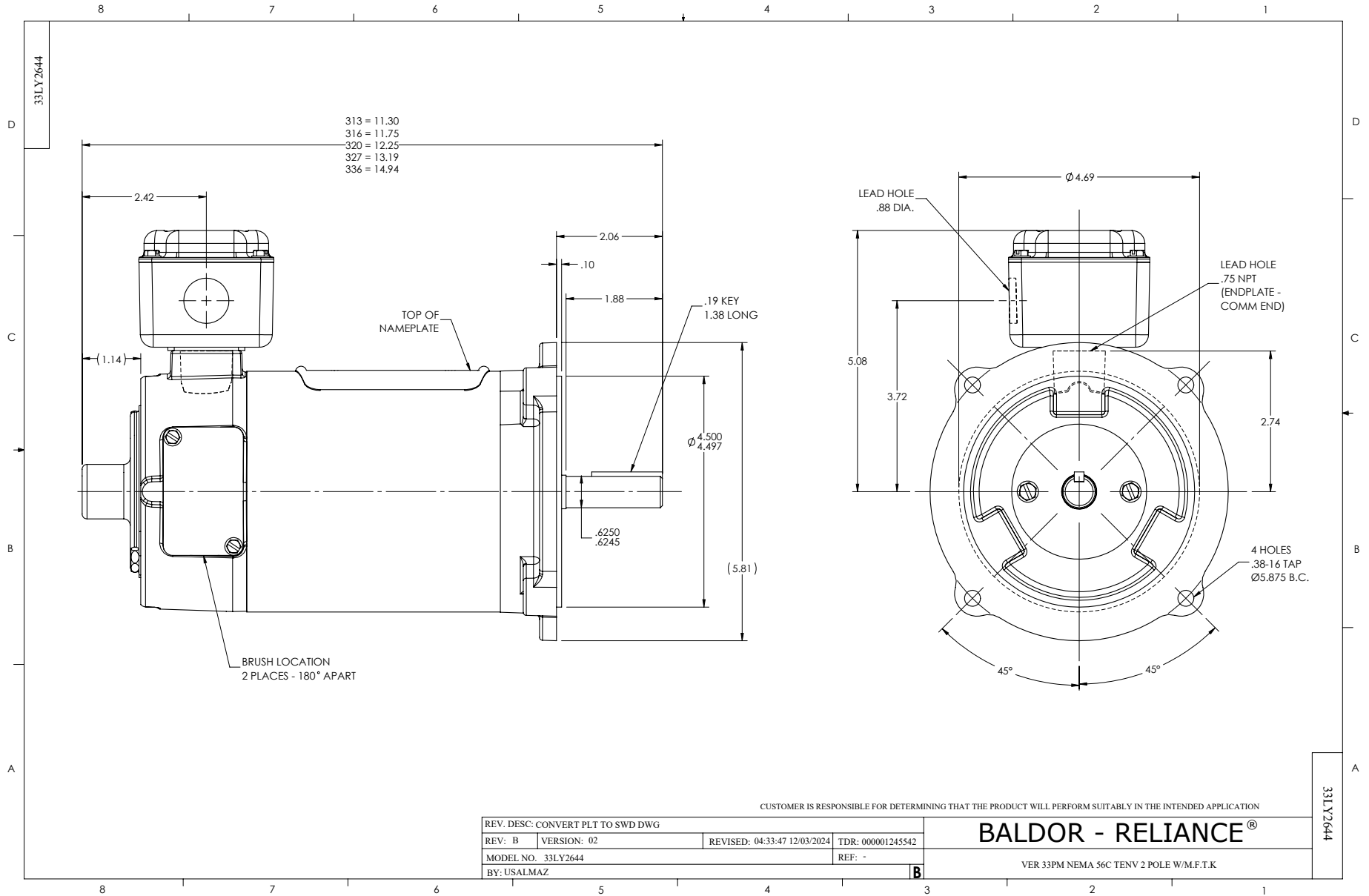
0.33 HP DC 1750 RPM 90 V 3327P

Typical performance - not guaranteed values.

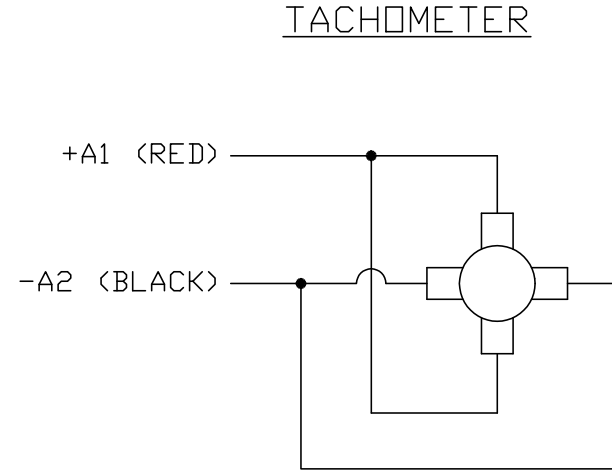
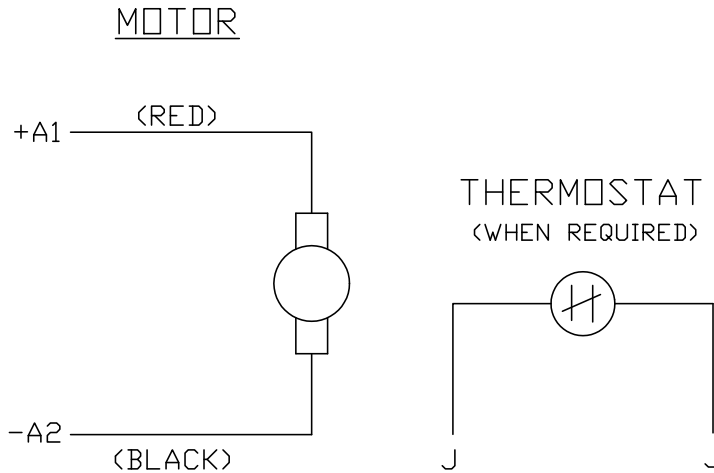
ENCL: TENV DUTY: CONT CL: F



7/8/2026, DCPERF, VER 2.0.06, record 579



CD0194



NOTES:

1. CCW ROTATION AS SHOWN FACING COMMUTATOR END. TO REVERSE MOTOR ROTATION OR TACHOMETER OUTPUT POLARITY INTERCHANGE LEADS A1(RED) & A2(BLACK)
2. LEAD COLORS FOR REFERENCE ONLY & NOT SPECIFIED BY THIS DRAWING. LEAD COLORS SPECIFIED BY LAYOUT DRAWING & BILL OF MATERIAL ONLY.

MATL: -			
REV: E	ADDED NOTE "LEAD COLORS FOR REFERENCE ONLY &..."		
761000 CD0194	SCALE: -	BY: CK	REVISED: 07/28/95
	FILE: AAA00004503	TDR: 0078737	

BALDOR ELECTRIC Co.

CD TYPE P DC PERMANENT MAGNET MOTORS AND TACHOMETERS

CD0194