

34LYM808

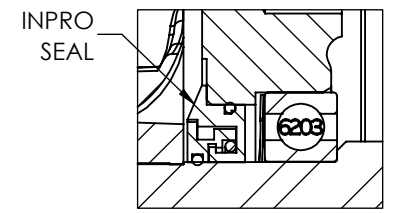
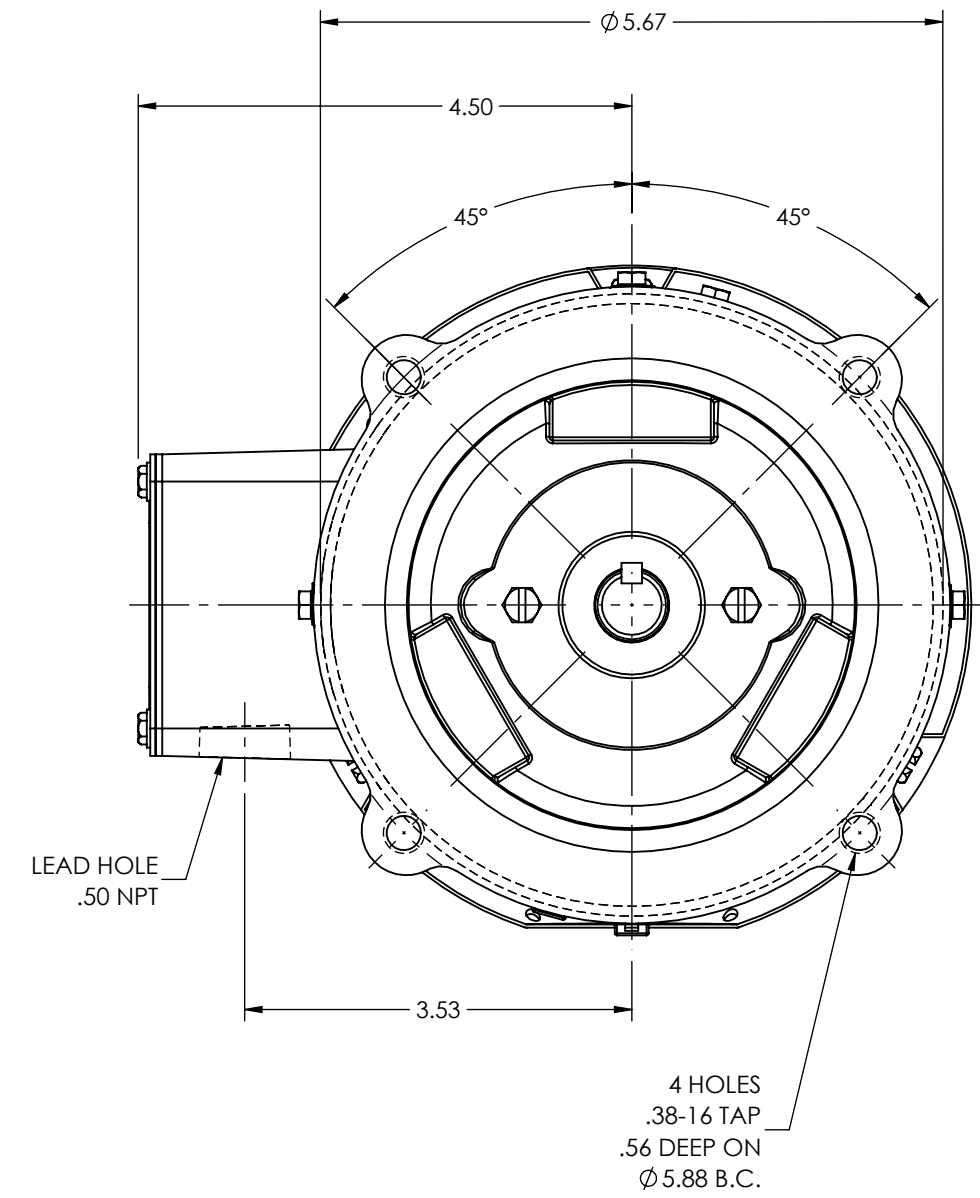
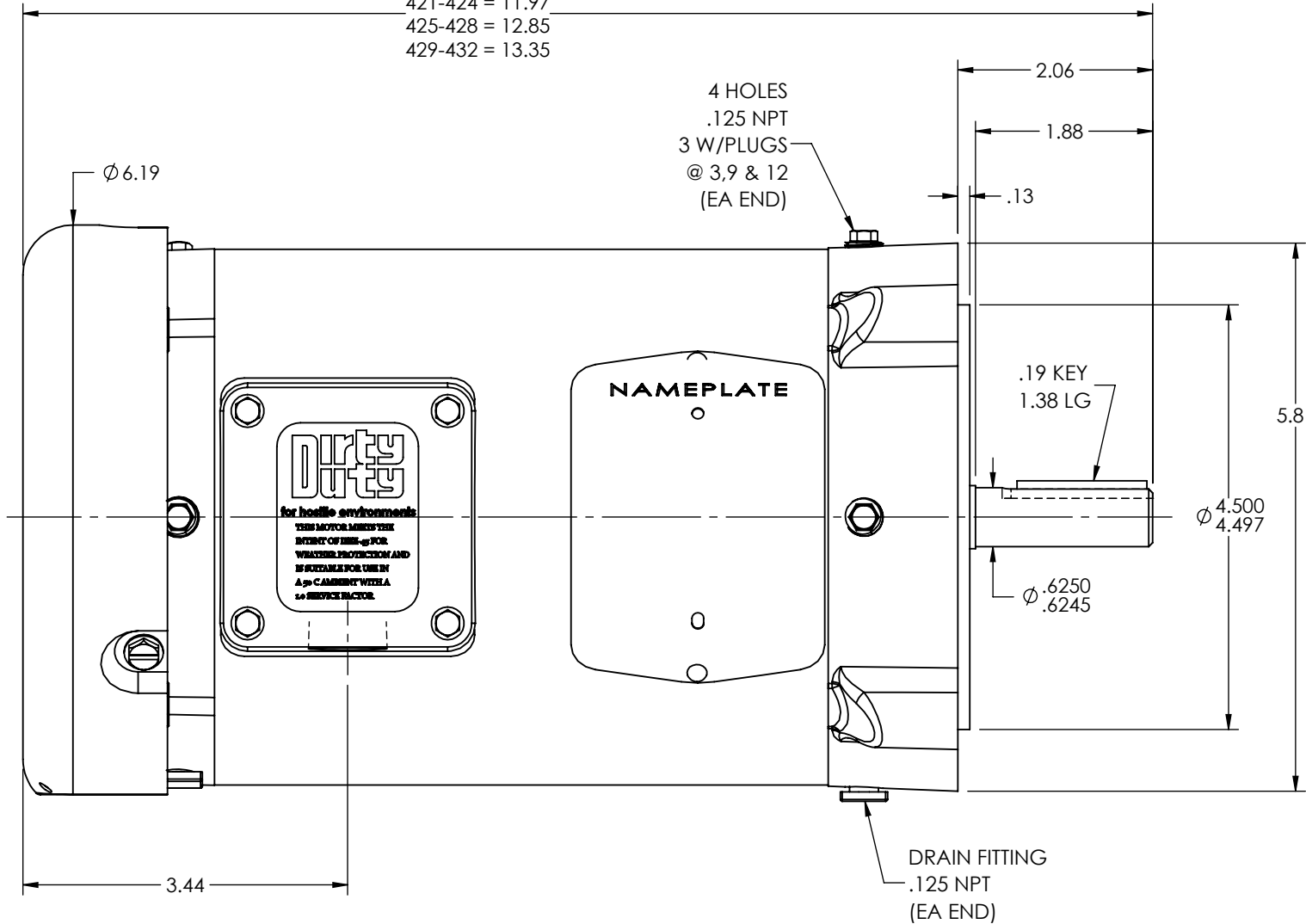
D

C

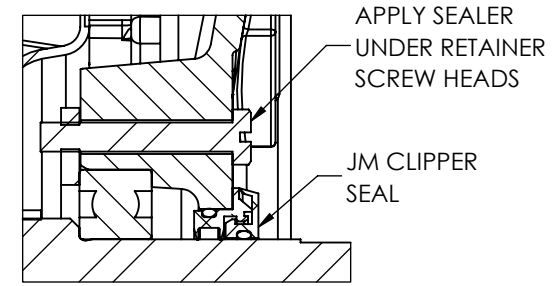
B

A

408-420 = 11.35  
421-424 = 11.97  
425-428 = 12.85  
429-432 = 13.35



FRONT END DETAIL



DRIVE END DETAIL

CUSTOMER IS RESPONSIBLE FOR DETERMINING THAT THE PRODUCT WILL PERFORM SUITABLY IN THE INTENDED APPLICATION

REV. DESC: PUT FACE MTG HOLE DIM BACK ON DRAWING			
REV: C	VERSION: 03	REVISED: 01:38:52 06/24/2026	TDR: 000001279904
MODEL NO. 34LYM808			REF: -
BY: ENJEFD0			<b>B</b>

**BALDOR - RELIANCE®**

STD VER 56C TEFC 34M DDP (S/P032-002-002)

34LYM808

D

C

B

A

8 7 6 5 4 3 2 1