

ABB BALDOR RELIANCE III

Customer information packet

VBL3597-D

.75HP, 1725RPM, 1PH, 60HZ, 56C, 3520L, TEFC, F3

Class - None

Division - Not Applicable

Specifications

Enclosure	TEFC
Frame	56C
Frame Material	Steel
Frequency	60.00 Hz
Haz Area Class and Group	None
Haz Area Division	Not Applicable
Motor Letter Type	Cap Start, Induction Run
Output @ Frequency	.750 HP @ 60 HZ
Phase	1
Synchronous Speed @ Frequency	1800 RPM @ 60 HZ
Voltage @ Frequency	115.0 V @ 60 HZ 208.0 V @ 60 HZ 230.0 V @ 60 HZ
Agency Approvals	UR CE CSA
Ambient Temperature	40 °C
Auxiliary Box	NO AUXILLARY BOX
Auxiliary Box Lead Termination	None
Base Indicator	No Mounting
Bearing Grease Type	Polyrex EM (-20F +300F)
Blower	None
Brake Torque	3.0 lb-ft
Current @ Voltage	6.000 A @ 208.0 V 5.500 A @ 230.0 V 11.000 A @ 115.0 V
Design Code	N
Drip Cover	No Drip Cover
Duty Rating	CONT
Efficiency @ 100% Load	68.0 %
Electrically Isolated Bearing	Not Electrically Isolated
Feedback Device	NO FEEDBACK

Part Detail

Revision	M
Type	AC
Mech. spec.	35X147
Base	
Status	NLA/A
Elec. spec.	35WGX935
Layout	35LYX147
Eff. date	09-26-2016
CD Diagram	CD0001
Poles	04
Leads	6#18
Proprietary	False
Created date	01-28-2008

Front Face Code	Fan Housing Cover For Brake
Front Shaft Indicator	None
Heater Indicator	No Heater
High Voltage Full Load Amps	5.5 a
Insulation Class	F
Inverter Code	Not Inverter
KVA Code	N
Lifting Lugs	No Lifting Lugs
Locked Bearing Indicator	Locked Bearing
Motor Lead Exit	Ko Box
Motor Lead Quantity/Wire Size	6 @ 18 AWG
Motor Lead Termination	Flying Leads
Motor Standards	NEMA
Motor Type	3520L
Mounting Arrangement	F3
Number of Poles	4
Overall Length	16.29 IN
Power Factor	64
Product Family	General Purpose
Pulley End Bearing Type	Ball
Pulley Face Code	C-Face
Pulley Shaft Indicator	Standard
Rodent Screen	None
Service Factor	1.15
Shaft Diameter	0.625 IN
Shaft Extension Location	Pulley End
Shaft Ground Indicator	No Shaft Grounding
Shaft Rotation	Reversible
Shaft Slinger Indicator	No Slinger
Speed	1725 rpm
Speed Code	Single Speed
Starting Method	Direct on line
Thermal Device - Bearing	None
Thermal Device - Winding	None

Vibration Sensor Indicator

No Vibration Sensor

Winding Thermal 1

None

Winding Thermal 2

None

Nameplate

NP1372L										
CAT.NO.	VBL3597-D									
SPEC.	35X147X935G1									
HP	.75									
VOLTS	115/208-230									
AMP	11/6-5.5									
FRAME	56C	HZ	60	PH	1					
SER.F.	1.15	CODE	N	DES	N	CL	F			
NEMA-NOM-EFF	68	PF	64							
RATING	40C AMB-CONT									
CC										
DE	6205	ODE	6203							
ENCL	TEFC	SN								
	IP44									

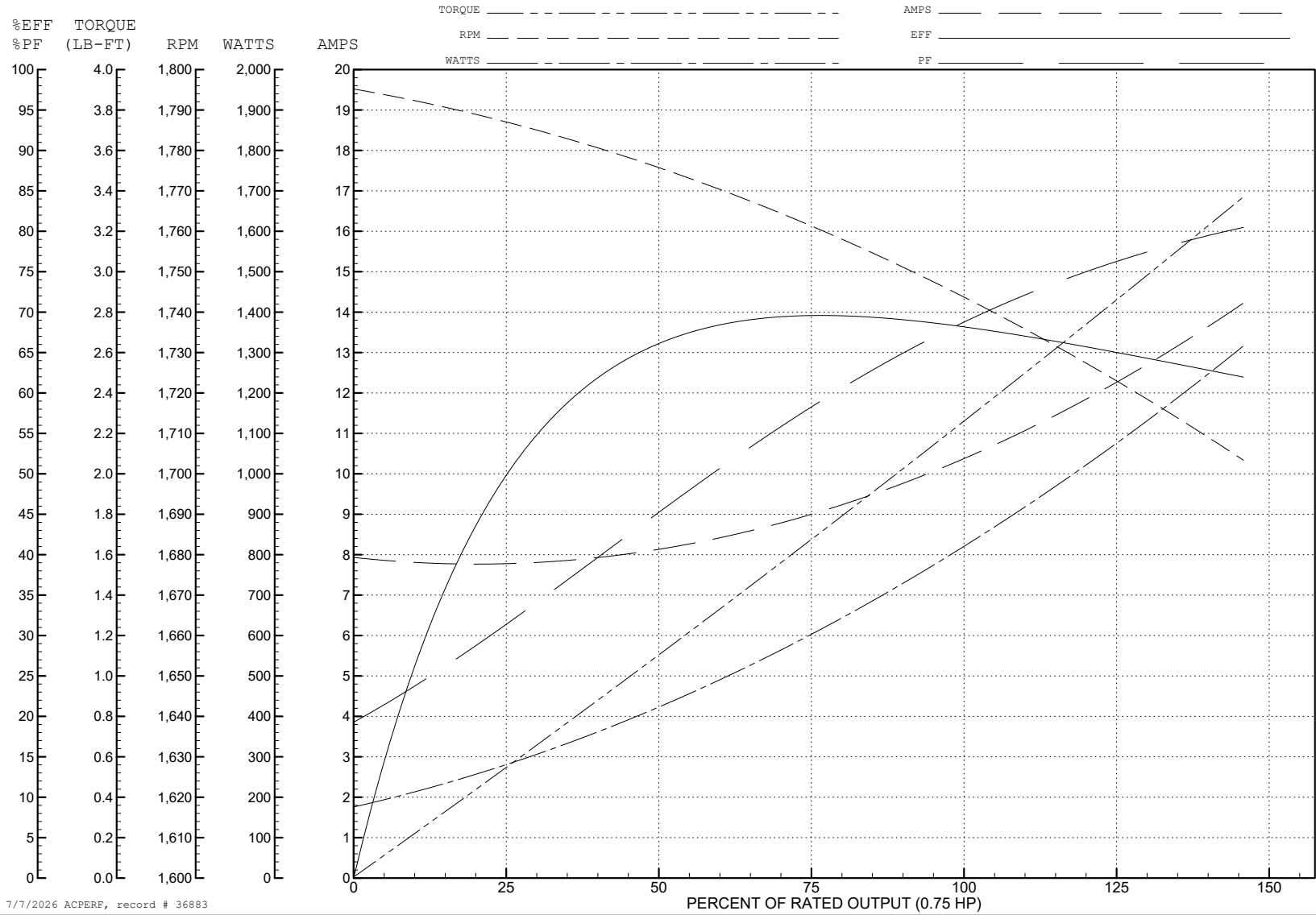
ABB Motors and Mechanical Inc.

WINDING # 35WGX935

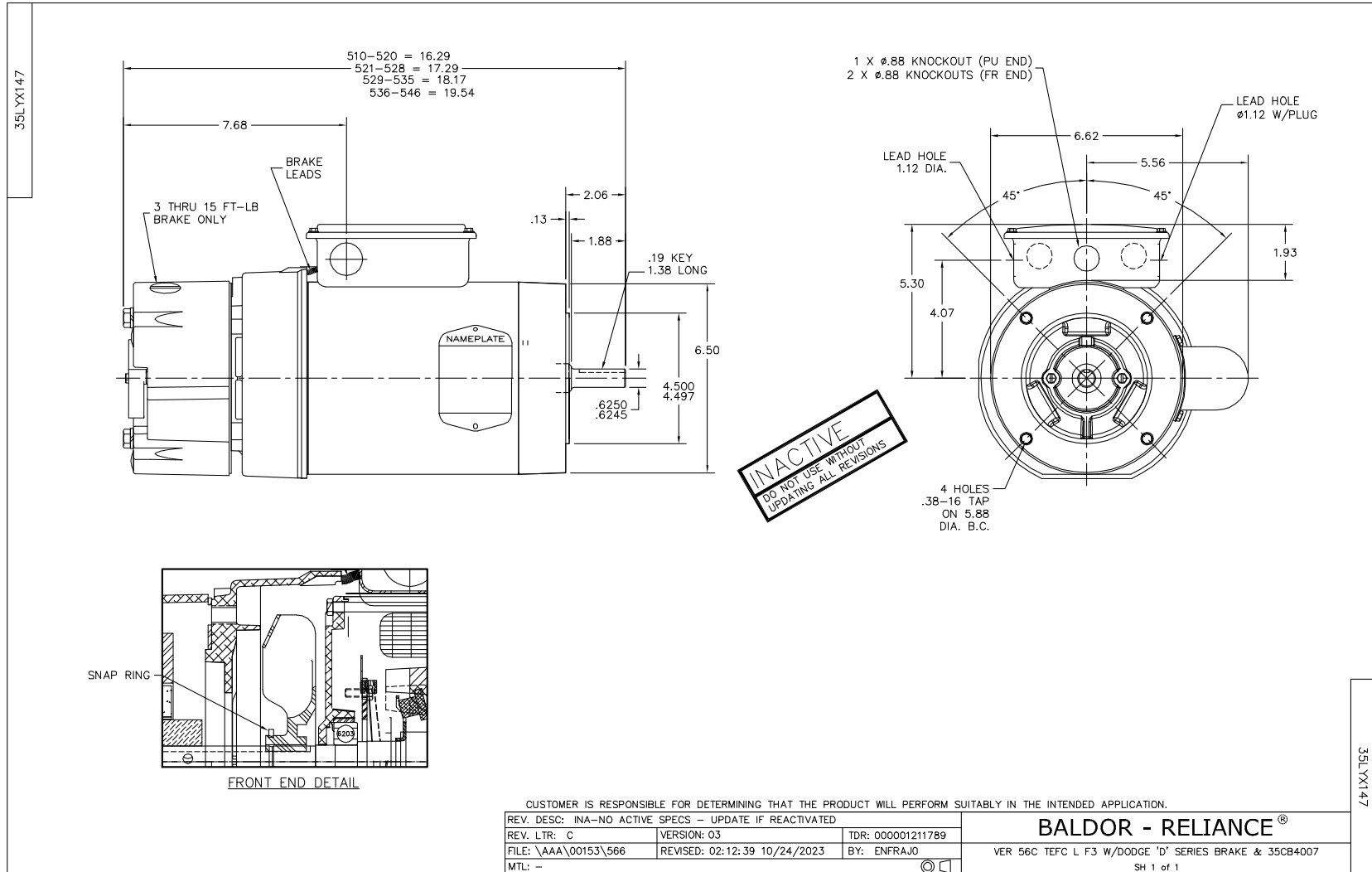
Typical performance - not guaranteed values.

0.75 HP 1 PH 60 HZ 1725 RPM 115 V 3520L

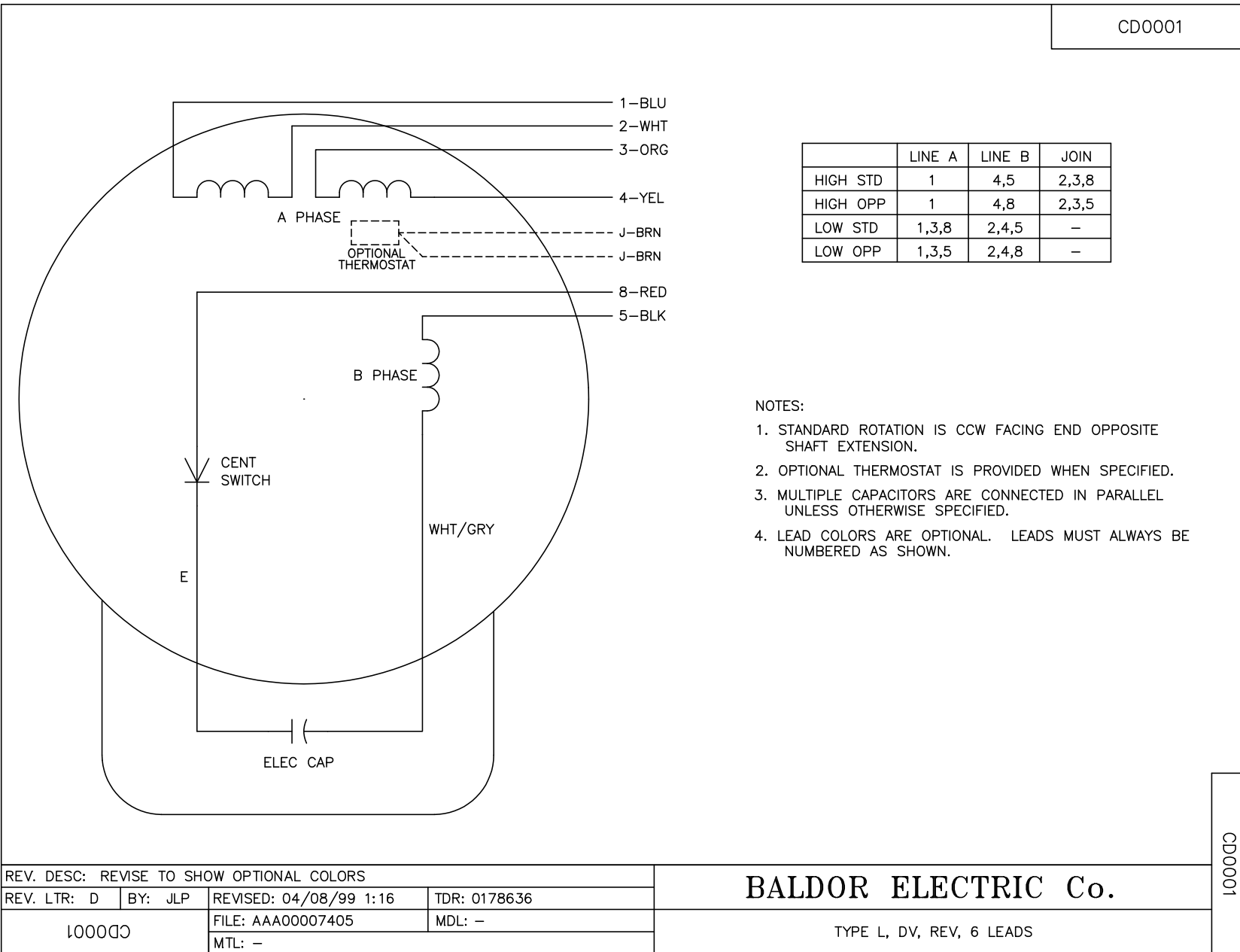
TORQUES (LB-FT): PO=6.38 PU=5.88 LR=8.13 LRA=69.2



7/7/2026 ACPERF, record # 36883



CD0001



	LINE A	LINE B	JOIN
HIGH STD	1	4,5	2,3,8
HIGH OPP	1	4,8	2,3,5
LOW STD	1,3,8	2,4,5	-
LOW OPP	1,3,5	2,4,8	-

- NOTES:
1. STANDARD ROTATION IS CCW FACING END OPPOSITE SHAFT EXTENSION.
 2. OPTIONAL THERMOSTAT IS PROVIDED WHEN SPECIFIED.
 3. MULTIPLE CAPACITORS ARE CONNECTED IN PARALLEL UNLESS OTHERWISE SPECIFIED.
 4. LEAD COLORS ARE OPTIONAL. LEADS MUST ALWAYS BE NUMBERED AS SHOWN.

CD0001

REV. DESC: REVISE TO SHOW OPTIONAL COLORS			
REV. LTR: D	BY: JLP	REVISED: 04/08/99 1:16	TDR: 0178636
100000		FILE: AAA00007405	MDL: -
		MTL: -	

BALDOR ELECTRIC Co.

TYPE L, DV, REV, 6 LEADS

CD2120

WIRING CONNECTIONS (1 PHASE VAC)

	POWER LINE A	POWER LINE B	CAP TOGETHER	CAP ALONE
AC LOW VOLT.	B1	B2	B3 & B5	B4
AC HIGH VOLT.	B1 & B5	B2	---	B3 CAP ALONE B4 CAP ALONE
DC VOLT.	B1	B2	B3 & B5	B4

B1 WHITE
B2 BLACK
B3 GRAY
B4 BLUE
B5 RED

CD2120

REV. DESC: NEW		TDR: 000000741785	
REV. LTR: -	VERSION: 00	BY: CKRONSO	
FILE: \CKA\00037\282		REVISED: 12: 28:11 04/12/2012	
MTL: -			

BALDOR • DODGE • RELIANCE III

D-SERIES MOTOR BRAKE 5LD AC\DC
SH 1 of 1