

BALDOR • RELIANCE

Customer information packet

VBL3507

.75HP, 1725RPM, 1PH, 60HZ, 56C, BRAKE, 3428LC

Class - None

Division - Not Applicable

Specifications

Enclosure	TEFC
Frame	56C
Frame Material	Steel
Frequency	60.00 Hz
Haz Area Class and Group	None
Haz Area Division	Not Applicable
Motor Letter Type	Cap Start, Cap Run
Output @ Frequency	.750 HP @ 60 HZ
Phase	1
Synchronous Speed @ Frequency	1800 RPM @ 60 HZ
Voltage @ Frequency	115.0 V @ 60 HZ 230.0 V @ 60 HZ
Agency Approvals	UR CSA
Ambient Temperature	40 °C
Auxillary Box	No Auxillary Box
Auxillary Box Lead Termination	None
Base Indicator	No Mounting
Bearing Grease Type	Polyrex EM (-20F +300F)
Blower	None
Brake Torque	6.0 lb-ft
Current @ Voltage	4.200 A @ 230.0 V 5.400 A @ 208.0 V 8.400 A @ 115.0 V
Design Code	N
Drip Cover	No Drip Cover
Duty Rating	CONT
Efficiency @ 100% Load	72.0 %
Electrically Isolated Bearing	Not Electrically Isolated
Feedback Device	NO FEEDBACK
Front Face Code	Brake Mounting
Front Shaft Indicator	None

Part detail

Revision	AB
Type	AC
Mech. spec.	34G457
Base	
Status	PRD/A
Elec. spec.	34WGY094
Layout	34LYG457
Eff. date	10-25-2024
CD Diagram	CD0055
Poles	04
Leads	6#18
Proprietary	False
Created date	01-01-0001

Heater Indicator	No Heater
High Voltage Full Load Amps	4.2 a
Insulation Class	F
Inverter Code	Not Inverter
KVA Code	J
Lifting Lugs	No Lifting Lugs
Locked Bearing Indicator	Locked Bearing
Motor Lead Exit	Ko Box
Motor Lead Quantity/Wire Size	6 @ 18 AWG
Motor Lead Termination	Flying Leads
Motor Standards	NEMA
Motor Type	3428LC
Mounting Arrangement	F1
Number of Poles	4
Overall Length	16.82 IN
Power Factor	78
Product Family	General Purpose
Pulley End Bearing Type	Ball
Pulley Face Code	C-Face
Pulley Shaft Indicator	Standard
Rodent Screen	None
RoHS Status	ROHS COMPLIANT
Service Factor	1.25
Shaft Diameter	0.625 IN
Shaft Extension Location	Pulley End
Shaft Ground Indicator	No Shaft Grounding
Shaft Rotation	Reversible
Shaft Slinger Indicator	No Slinger
Speed	1725 rpm
Speed Code	Single Speed
Starting Method	Direct on line
Thermal Device - Bearing	None
Thermal Device - Winding	None
Vibration Sensor Indicator	No Vibration Sensor

Winding Thermal 1

None

Winding Thermal 2

None

Nameplate

NP1256L									
CAT.NO.	VBL3507								
SPEC.	34G457Y094-C								
HP	.75								
VOLTS	115/230								
AMP	8.4/4.2								
RPM	1725								
FRAME	56C		HZ	60		PH	1		
SER.F.	1.25	CODE	J	DES	N	CLASS	F		
NEMA-NOM-EFF	72	PF	78						
RATING	40C AMB-CONT								
CC									
DE	6203	ODE	6203						
ENCL	TEFC	SN							
	SFA 10/5								

AC Induction Motor Performance Data

Record # 7788

Typical performance - not guaranteed values

Winding: 34WGY094-R001		Type: 3428LC		Enclosure: TEFC	
Nameplate Data			230 V, 60 Hz: High Voltage Connection		
Rated Output (HP)	.75	Full Load Torque	2.25 LB-FT		
Volts	115/230	Start Configuration	direct on line		
Full Load Amps	8.4/4.2	Breakdown Torque	5.7 LB-FT		
R.P.M.	1725	Pull-up Torque	5 LB-FT		
Hz	60	Locked-rotor Torque	6.9 LB-FT		
NEMA Design Code	N	Starting Current	24.7 A		
Service Factor (S.F.)	1.25	No-load Current	2.8 A		
NEMA Nom. Eff.	72	Line-line Res. @ 25°C	3.22 Ω A Ph 1.76 Ω B Ph		
Rating - Duty	40C	Temp. Rise @ Rated Load	71°C		
S.F. Amps	10/5	Temp. Rise @ S.F. Load	89°C		

Load Characteristics 230 V, 60 Hz, 0.75 HP

% of Rated Load	25	50	75	100	125	150	S.F.
Power Factor	43	57	70	78	82	86	82
Efficiency	50.2	66.1	71.1	72.3	72	68.6	72
Speed	1780	1766	1749	1729	1707	1675	1707
Line amperes	2.9	3.2	3.7	4.3	5.1	6.2	5.1

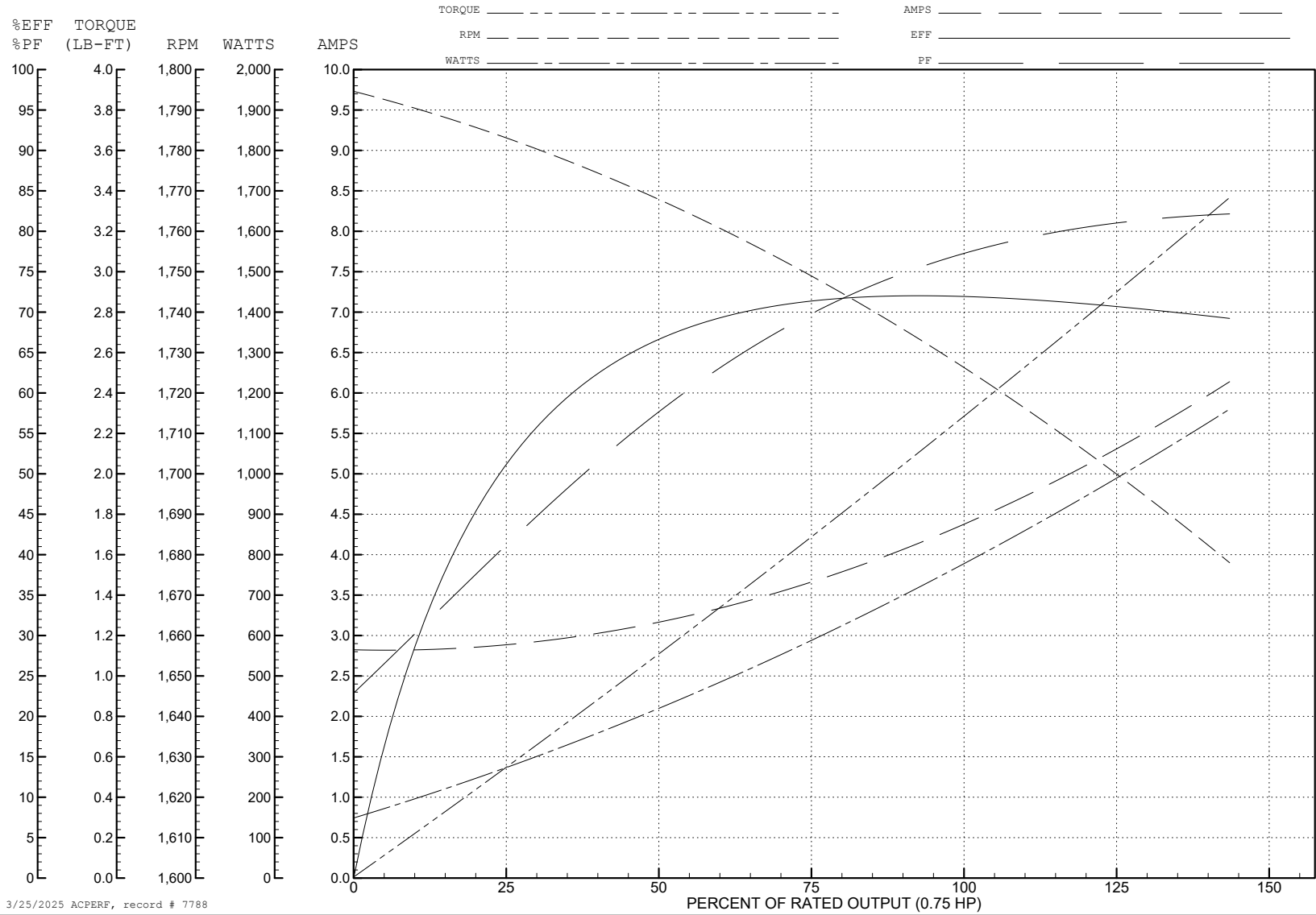
ABB Motors and Mechanical Inc.

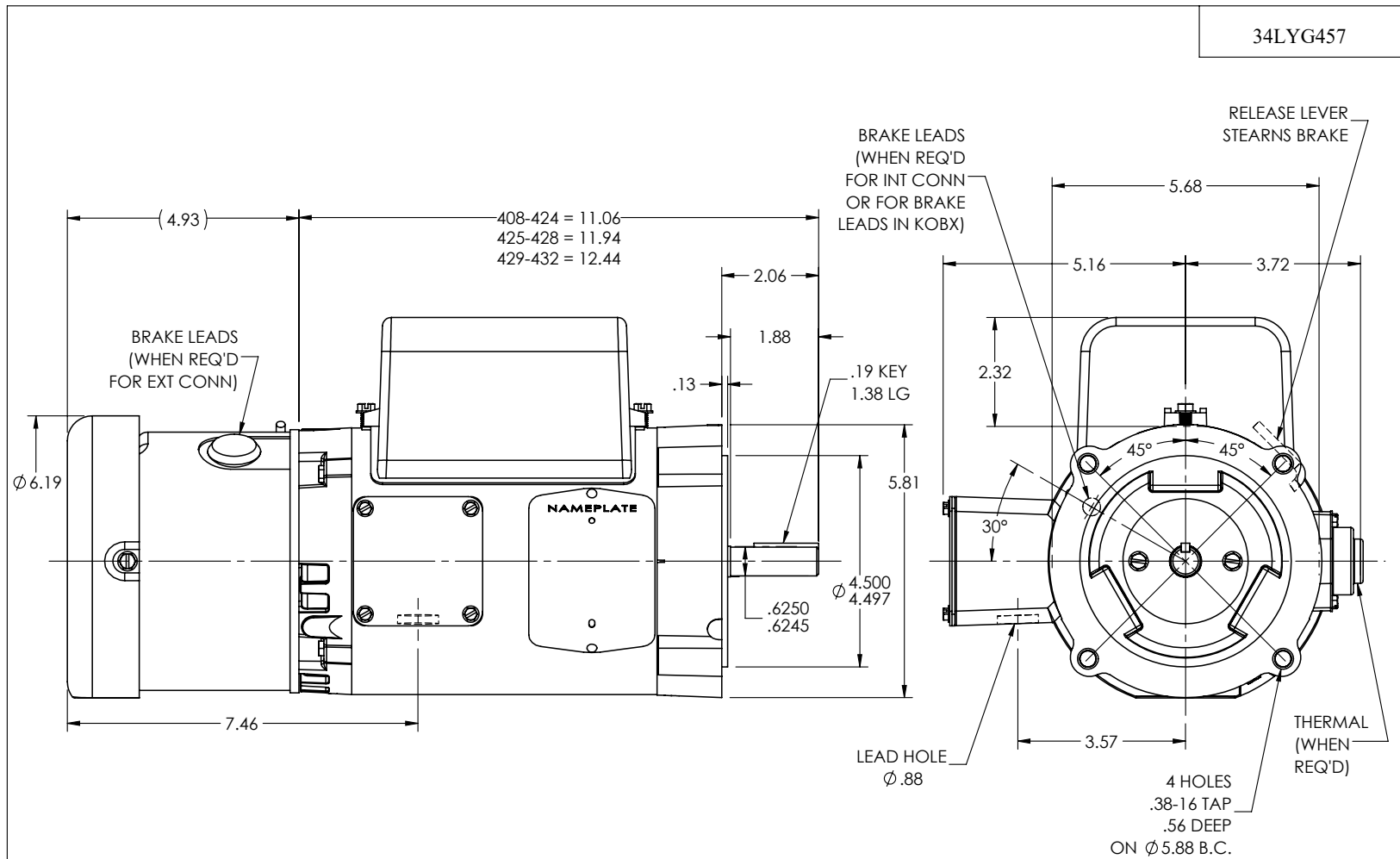
WINDING # 34WGY094

Typical performance - not guaranteed values.

0.75 HP 1 PH 60 HZ 1725 RPM 230 V 3428LC

TORQUES (LB-FT): PO=5.7 PU=5 LR=6.9 LRA=24.7





CUSTOMER IS RESPONSIBLE FOR DETERMINING THAT THE PRODUCT WILL PERFORM SUITABLY IN THE INTENDED APPLICATION

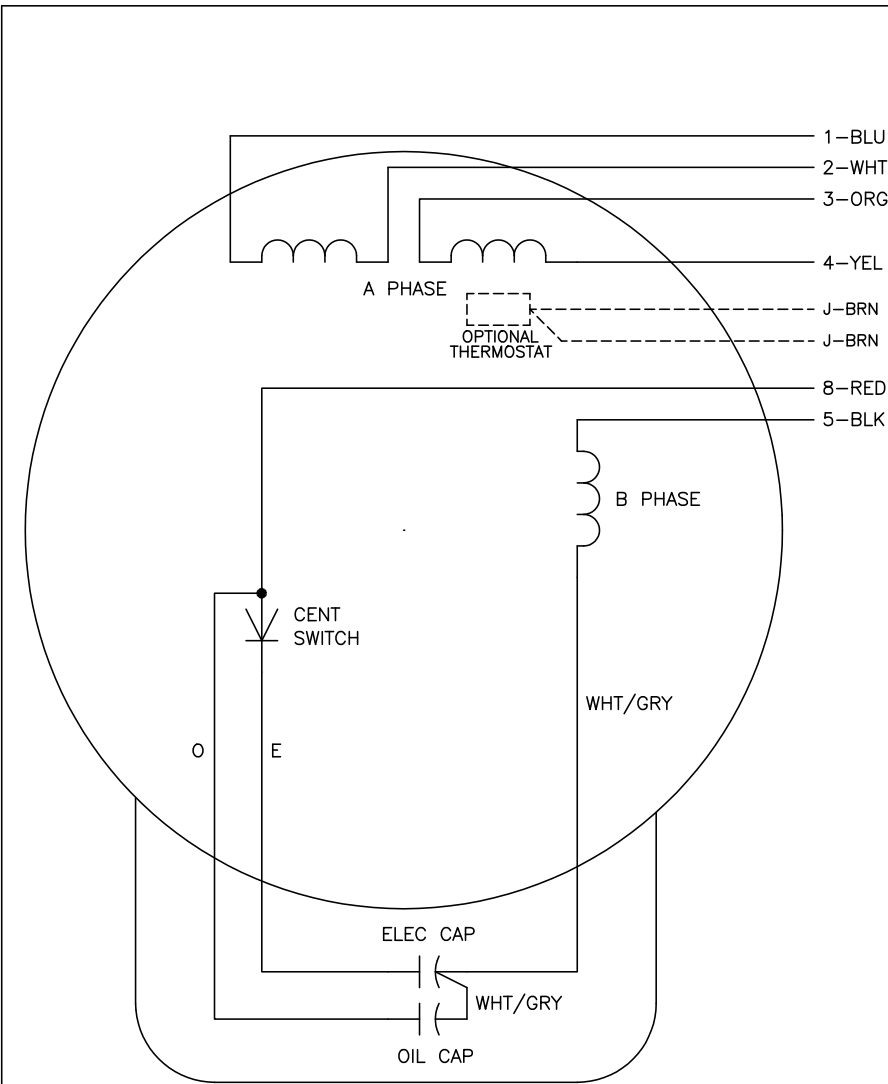
REV. DESC: LOAD TO SOLIDWORKS - REV E			
REV: F	VERSION: 04	REVISED: 03:31:04 04/21/2023	TDR: 000001201165
34LYG457		MODEL NO. 34LYG457	REF: -
		BY: ENFRAJ0	

BALDOR - RELIANCE®

SPL VERT TEFC 34LC NEMA 56C W/BRAKE

34LYG457

CD0055



	LINE A	LINE B	JOIN
HIGH STD	1	4,5	2,3,8
HIGH OPP	1	4,8	2,3,5
LOW STD	1,3,8	2,4,5	-
LOW OPP	1,3,5	2,4,8	-

NOTES:

1. STANDARD ROTATION IS CCW FACING END OPPOSITE SHAFT EXTENSION.
2. OPTIONAL THERMOSTAT IS PROVIDED WHEN SPECIFIED.
3. MULTIPLE CAPACITORS ARE CONNECTED IN PARALLEL UNLESS OTHERWISE SPECIFIED.
4. LEAD COLORS ARE OPTIONAL. LEADS MUST ALWAYS BE NUMBERED AS SHOWN.

CD0055

REV. DESC: REVISE TO SHOW OPTIONAL COLORS			
REV. LTR: D	BY: JLP	REVISED: 04/08/99 1:17	TDR: 0178636
C00000		FILE: AAA00007414	MDL: -
		MTL: -	

BALDOR ELECTRIC Co.

TYPE LC, DV, REV, 6 LEADS