



Customer information packet

SUM75006-4

50HP, RPM, 3PH, 60HZ, 320TY, XPNV, V1

Class - CLI GP C,D

Division - Not Applicable

Specifications

Enclosure	XPNV
Frame	320TY
Frequency	60.00 Hz
Haz Area Class and Group	CLI GP C,D
Haz Area Division	Not Applicable
Phase	3
Agency Approvals	C UR US CCSA US
Base Indicator	Rigid
Bearing Grease Type	Polyrex EM (-20F +300F)
Cable Length	25 FOOT
Design Code	B
Drip Cover	No Drip Cover
Duty Rating	CONT
Haz Area Temp Code	T3C
Heater Indicator	No Heater
Insulation Class	F
Inverter Code	Not Inverter
IP Rating	NONE
KVA Code	G
Lifting Lugs	Standard Lifting Lugs
Motor Standards	NEMA
Mounting Arrangement	V1
Number of Poles	6
Product Family	Pump - Centrifugal
Pulley End Bearing Type	Ball
Pulley Face Code	Standard
Service Factor	1.15
Shaft Diameter	2.499 IN
Shaft Rotation	Reversible
Shaft Slinger Indicator	No Slinger
Starting Method	Direct on line

Part detail

Revision	D
Type	AC
Mech. spec.	
Base	
Status	PRD/A
Elec. spec.	85959
Layout	619738-007
Eff. date	12-10-2024
CD Diagram	416820-036
Poles	///
Leads	
Proprietary	False
Created date	05-07-2021

Thermal Device - Winding

Normally Closed Thermostat

Nameplate

000613007MS

CAT.NO.	SUM75006-4	SPEC NO.	S32-CWS0-0012			
SER.NO.		FRAME SIZE	320TY			
	HP	RPM	VOLTS	AMPS	HZ	S.F.
	50	1180	460	63	6-60	1.00
	50	1180	460	63	60	1.15
CONSTANT HP RPM		@	HZ	CODE	G	
TYPE	P	INSUL.CLASS	F	TORQUE	10:1_VT	DESIGN B
D.E. BRG.	85BJ33J30X	ENCL	TENV	DUTY	15 MIN	PH 3
O.D.E. BRG.	50BC03JPG30A	MOTOR WEIGHT		AMB	40	
	*15 MIN IN AIR ;SUB. IN					
	SEWAGE / WATER ONLY					

000613007RC

CLASS I GROUP	C D X	NO.	
CLASS II GROUP	X X X		
OPERATING TEMP CODE	T3C		

000692000MB

SUITABLE FOR OPERATION ON PWM
INVERTER EQUIPPED WITH IGBT
DEVICES AND CAPABLE OF
CARRIER
FREQUENCY OF 2 KHZ MINIMUM

000613007MS

CAT.NO.	SUM75006-4	SPEC NO.	S32-CWS0-0012			
SER.NO.		FRAME SIZE	320TY			
	HP	RPM	VOLTS	AMPS	HZ	S.F.
	50	1180	460	63	6-60	1.00
	50	1180	460	63	60	1.15
CONSTANT HP RPM		@	HZ	CODE	G	
TYPE	P	INSUL.CLASS	F	TORQUE	10:1_VT	DESIGN B
D.E. BRG.	85BJ33J30X	ENCL	TENV	DUTY	15 MIN	PH 3
O.D.E. BRG.	50BC03JPG30A	MOTOR WEIGHT		AMB	40	
	*15 MIN IN AIR ;SUB. IN					
	SEWAGE / WATER ONLY					

AC induction motor performance data

Record #85959 - Typical performance - not guaranteed values

Winding	12WGA0159
Type	1272M
Enclosure	XPNV

Nameplate data

Rated Output			50
Volts			460
Full Load Amps			126/63
R.P.M.			1180
Hz	60	Phase	3
KVA Code			G
S.F.			1.15
NEMA Nom. Eff.	93	Power Factor	80
Duty			CONT
S.F. Amps			

**460 V, 60 Hz:
High Voltage Connection**

Full Load Torque	224 LB-FT
Start Configuration	direct on line
Breakdown Torque	638 LB-FT
Pull-up Torque	238 LB-FT
Locked-rotor Torque	296 LB-FT
Starting Current	330 A
No-load Current	23.55
Line-line Res. @ 25°C	0.162 Ω
Temp. Rise @ Rated Load	80°C
Temp. Rise @ S.F. Load	100°C
Locked-rotor Power Factor	29.1122
Rotor inertia	13.8 lb-ft²

Load Characteristics 460 V, 60 Hz, 50 HP

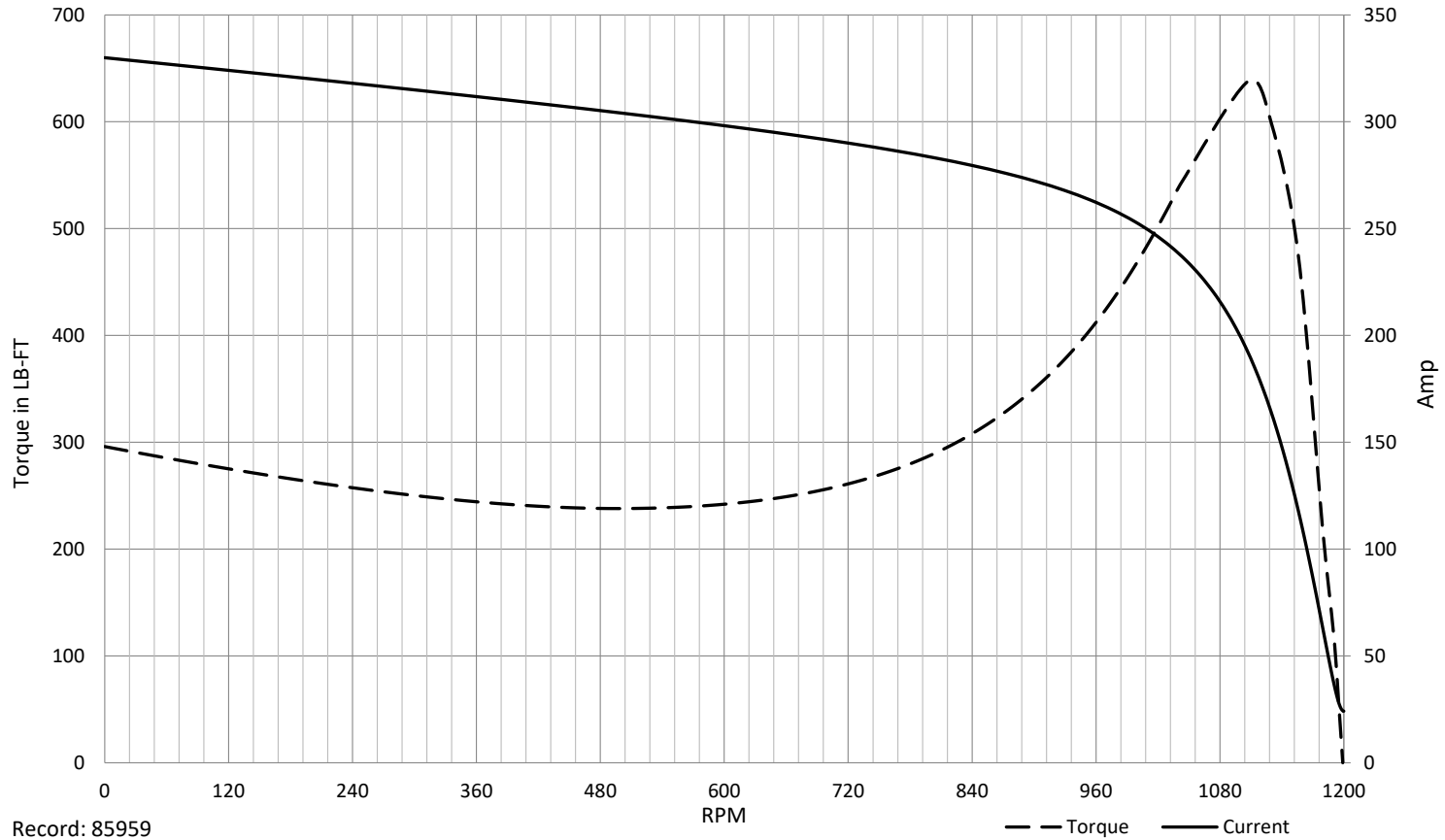
% of Rated Load	NL	25	50	75	100	125	150	SF
Power Factor	4	48	69	77	81	82	81	81
Efficiency	0	91.3	93.9	93.5	93	91.9	90.4	92
Speed	1199	1195	1191	1185	1179	1173	1163	1176
Line amperes	23.55	27.66	36.84	48.7	62.63	78.12	100	72.6

SPEED TORQUE / SPEED CURRENT CURVES

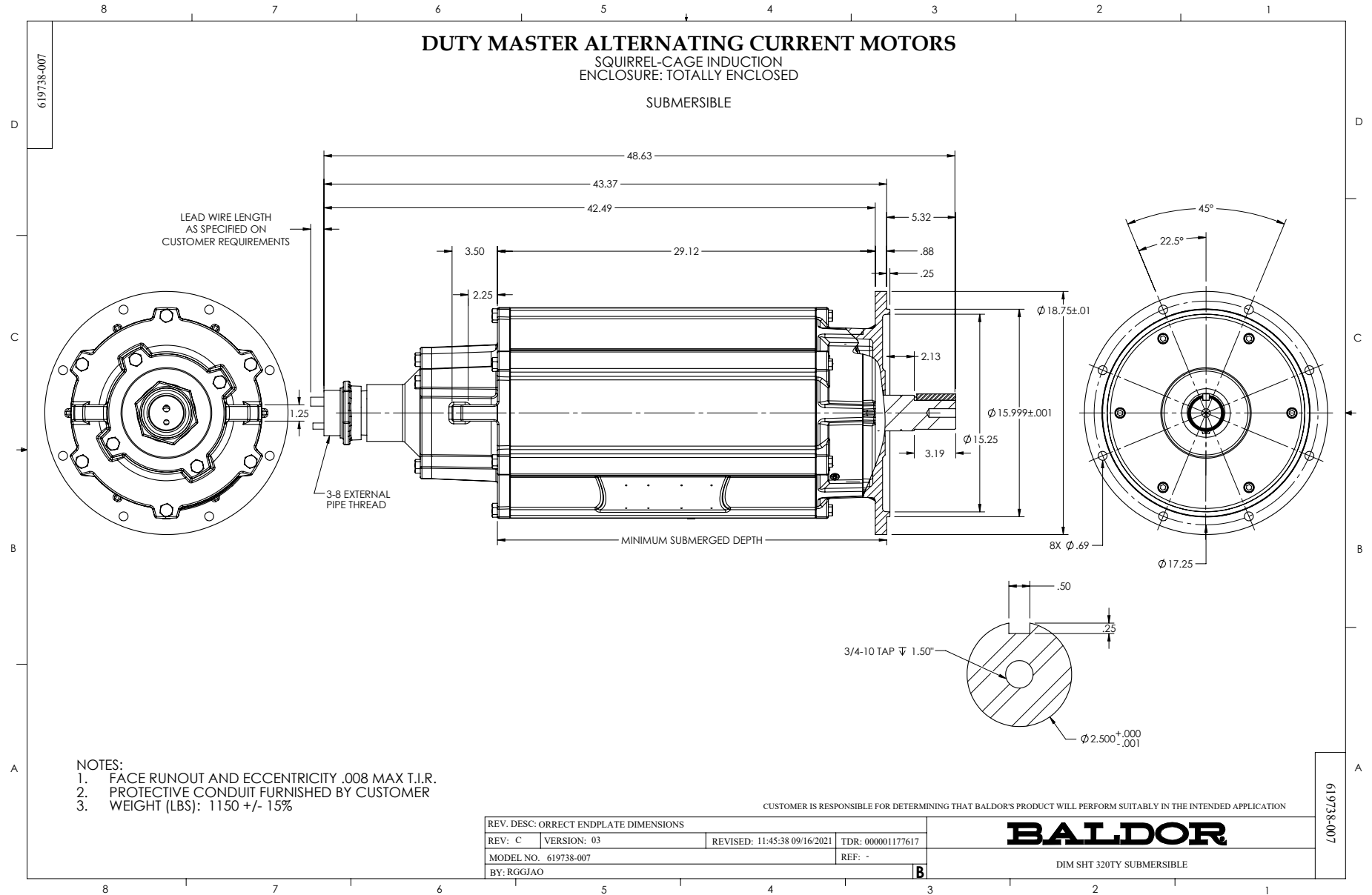


12WGA0159

50HP 460V 60HZ



Record: 85959



416820-036

A-C MOTOR
CONNECTION DIAGRAM
STANDARD 3 LEAD CONNECTED



(N.P. 1575-BA)

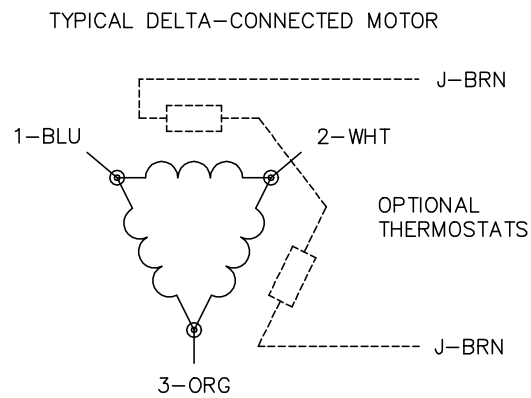
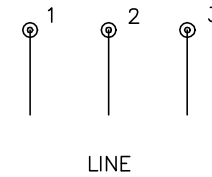
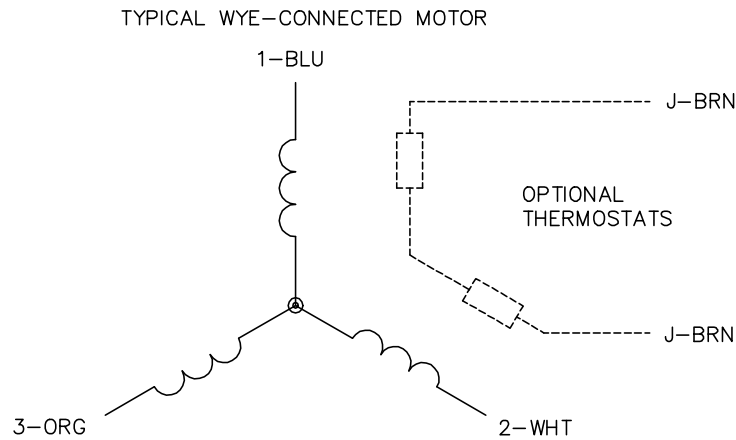
416820-036

REV. DESC: LOADED TO BUS, C/R 335225		
REV. LTR: -	VERSION: 00	TDR: 000000538207
FILE: \MGA\00000\682	REVISED: 11: 54: 06 04/30/2010	
MTL: -	BY: RAGRA	

BALDOR

CONN DIAG - STANDARD 3 LEAD
SH 1 of 1

CD0006



NOTES:

1. THREE LEAD MOTOR MAY BE EITHER WYE CONNECTED OR DELTA CONNECTED.
2. INTERCHANGE ANY TWO LINE LEADS TO REVERSE ROTATION.
3. OPTIONAL THERMOSTATS ARE PROVIDED WHEN SPECIFIED.
4. ACTUAL NUMBER OF INTERNAL PARALLEL CIRCUITS MAY VARY.
5. LEAD COLORS ARE OPTIONAL. LEADS MUST BE NUMBERED AS SHOWN.

CD0006

REV. DESC: ADD CLASS CONN00000007		
REV. LTR: E	VERSION: 01	TDR: 000001099922
FILE: \AAA\00005\141	REVISED: 10:24:49 02/19/2019	BY: ENBRIRO
MTL: -	© □	

BALDOR - RELIANCE®

3PH, SV, 3 LEADS, WYE OR DELTA CONNECTED

SH 1 of 1