

BALDOR® • RELIANCE®

Customer information packet

SUM75004-4

50HP, RPM, 3PH, 60HZ, 320TY, XPNV, V1

Class - CLI GP C,D

Division - Not Applicable

Specifications

Enclosure	XPNV
Frame	320TY
Frequency	60.00 Hz
Haz Area Class and Group	CLI GP C,D
Haz Area Division	Not Applicable
Phase	3
Agency Approvals	C UR US CCSA US
Base Indicator	Rigid
Bearing Grease Type	Polyrex EM (-20F +300F)
Cable Length	25 FOOT
Design Code	B
Drip Cover	No Drip Cover
Duty Rating	CONT
Haz Area Temp Code	T3C
Heater Indicator	No Heater
Insulation Class	F
Inverter Code	Not Inverter
IP Rating	NONE
KVA Code	G
Lifting Lugs	Standard Lifting Lugs
Motor Standards	NEMA
Mounting Arrangement	V1
Number of Poles	4
Product Family	Pump - Centrifugal
Pulley End Bearing Type	Ball
Pulley Face Code	Standard
Service Factor	1.15
Shaft Diameter	2.499 IN
Shaft Rotation	Reversible
Shaft Slinger Indicator	No Slinger
Starting Method	Direct on line

Part detail

Revision	D
Type	AC
Mech. spec.	
Base	
Status	PRD/A
Elec. spec.	85946
Layout	619738-007
Eff. date	12-10-2024
CD Diagram	416820-036
Poles	///
Leads	
Proprietary	False
Created date	05-06-2021

Thermal Device - Winding

Normally Closed Thermostat

Nameplate

000613007MS

CAT.NO.	SUM75004-4	SPEC NO.	S32-CWS0-0011				
SER.NO.		FRAME SIZE	320TY				
	HP	RPM	VOLTS	AMPS	HZ	S.F.	
	50	1775	460	60	6-60	1.00	
	50	1775	460	60	60	1.15	
CONSTANT HP RPM		@	HZ	CODE	G		
TYPE	P	INSUL.CLASS	F	TORQUE	10:1_VT	DESIGN	B
D.E. BRG.	85BJ33J30X	ENCL	TENV	DUTY	15MIN	PH	3
O.D.E. BRG.	50BC03JPG30A	MOTOR WEIGHT		AMB	40		
	*15 MIN IN AIR ;SUB. IN						
	SEWAGE / WATER ONLY						

000613007RC

CLASS I GROUP	C D X	NO.	
CLASS II GROUP	X X X		
OPERATING TEMP CODE	T3C		

000692000MB

SUITABLE FOR OPERATION ON PWM

INVERTER EQUIPPED WITH IGBT

DEVICES AND CAPABLE OF

CARRIER

FREQUENCY OF 2 KHZ MINIMUM

000613007MS

CAT.NO.	SUM75004-4	SPEC NO.	S32-CWS0-0011				
SER.NO.		FRAME SIZE	320TY				
	HP	RPM	VOLTS	AMPS	HZ	S.F.	
	50	1775	460	60	6-60	1.00	
	50	1775	460	60	60	1.15	
CONSTANT HP RPM		@	HZ	CODE	G		
TYPE	P	INSUL.CLASS	F	TORQUE	10:1_VT	DESIGN	B
D.E. BRG.	85BJ33J30X	ENCL	TENV	DUTY	15MIN	PH	3
O.D.E. BRG.	50BC03JPG30A	MOTOR WEIGHT		AMB	40		
	*15 MIN IN AIR ;SUB. IN						
	SEWAGE / WATER ONLY						

AC induction motor performance data

Record #85946 - Typical performance - not guaranteed values

Winding	12WGA0157
Type	1254M
Enclosure	PART

Nameplate data

Rated Output			50
Volts			230/460
Full Load Amps			120/60
R.P.M.			1775
Hz	60	Phase	3
KVA Code			G
S.F.			1.15
NEMA Nom. Eff.	93	Power Factor	84
Duty			15 MIN
S.F. Amps			

460 V, 60 Hz:

High Voltage Connection

Full Load Torque	148 LB-FT
Start Configuration	direct on line
Breakdown Torque	395 LB-FT
Pull-up Torque	166 LB-FT
Locked-rotor Torque	205 LB-FT
Starting Current	335 A
No-load Current	21.49
Line-line Res. @ 25°C	0.138 Ω
Temp. Rise @ Rated Load	78°C
Temp. Rise @ S.F. Load	97°C
Locked-rotor Power Factor	27.1
Rotor inertia	7.19 lb-ft²

Load Characteristics 460 V, 60 Hz, 50 HP

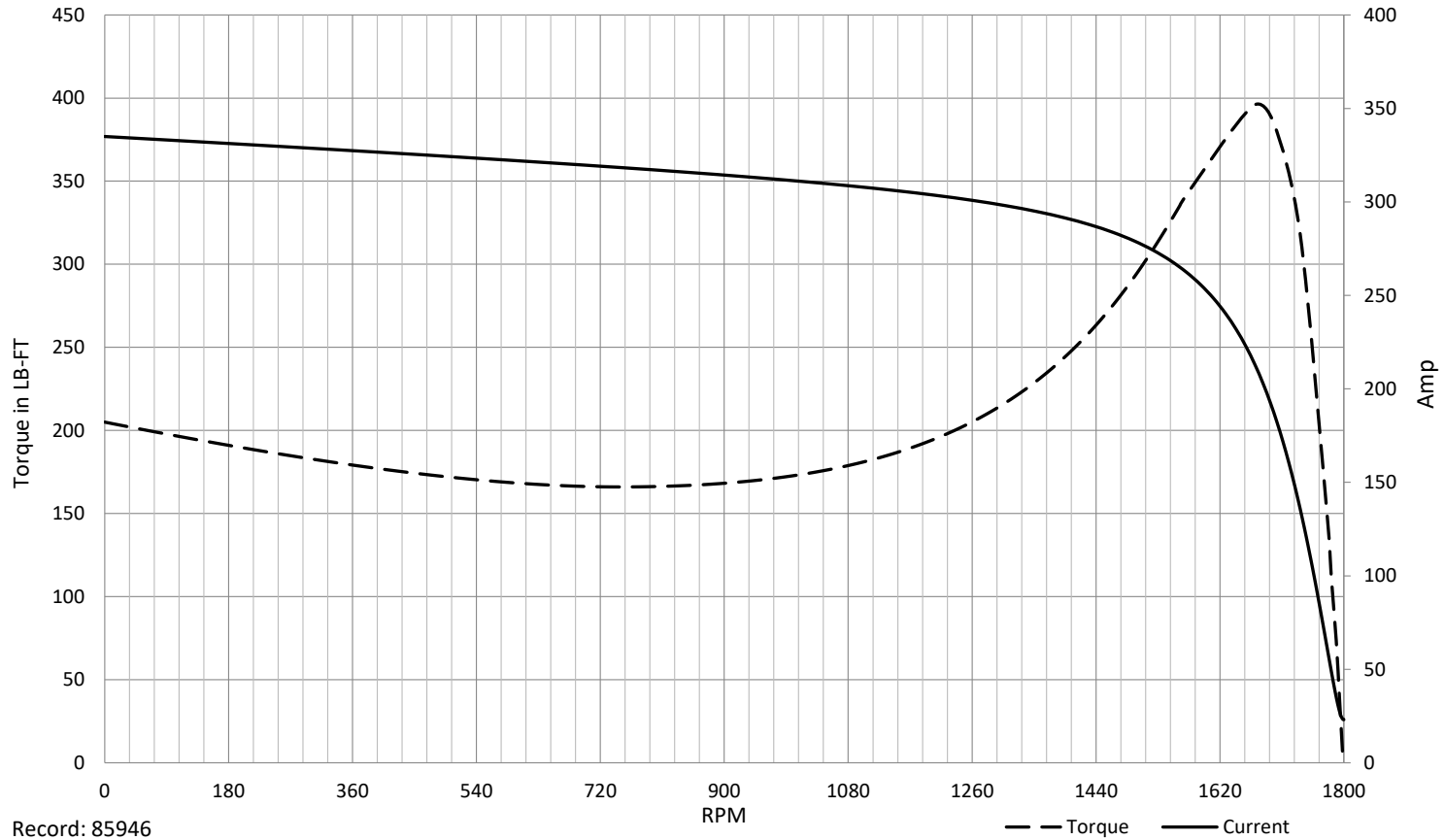
% of Rated Load	NL	25	50	75	100	125	150	SF
Power Factor	7	54	74	82	84	85	85	85
Efficiency	0	84.6	90.6	92.1	92.8	92.4	92.2	92.6
Speed	1799	1794	1789	1782	1776	1769	1760	1772
Line amperes	21.49	25.84	34.93	46.52	60.36	74.08	89.43	68.6

SPEED TORQUE / SPEED CURRENT CURVES

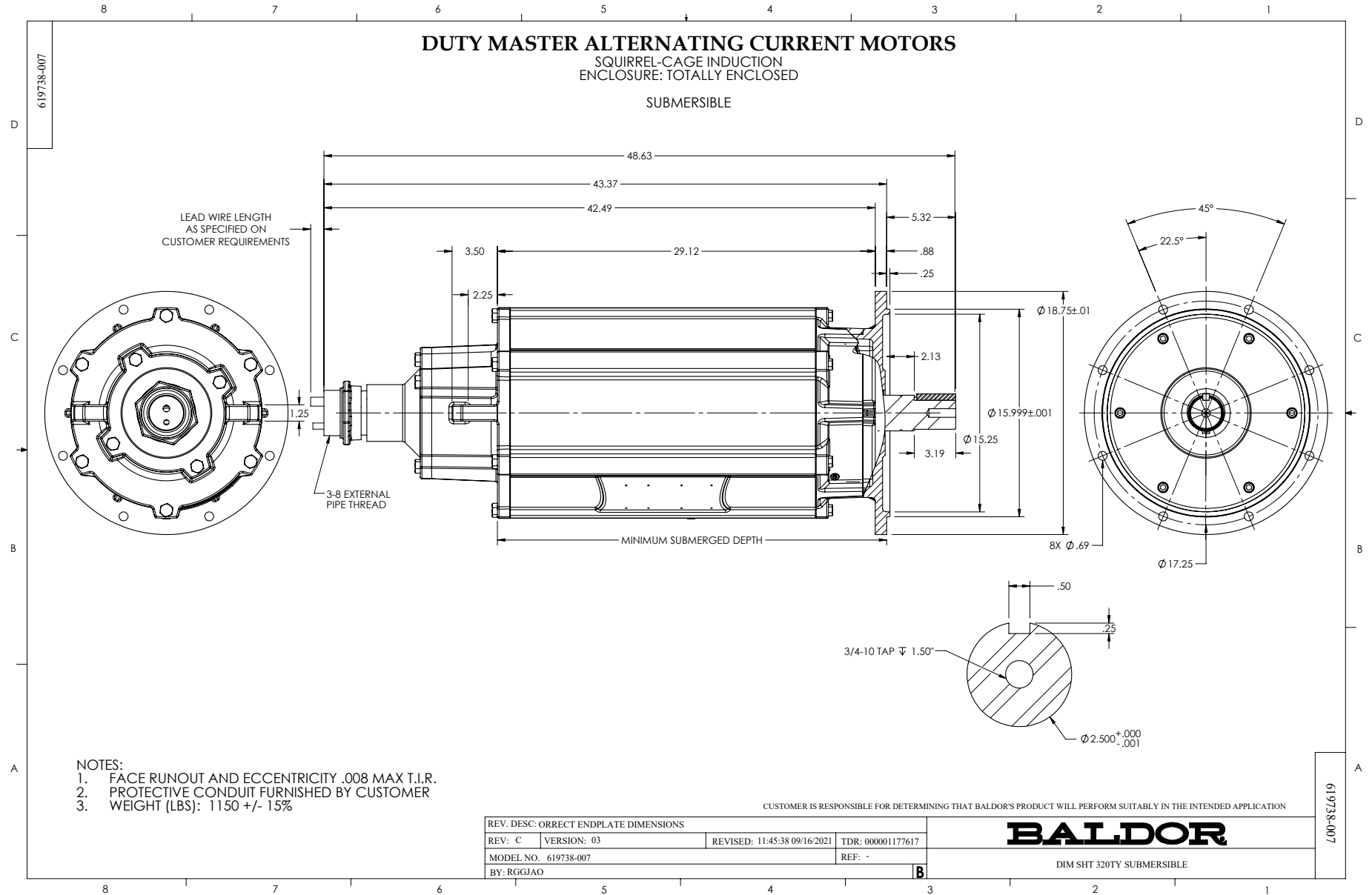


12WGA0157

50HP 460V 60HZ



Record: 85946



416820-036

A-C MOTOR
CONNECTION DIAGRAM
STANDARD 3 LEAD CONNECTED



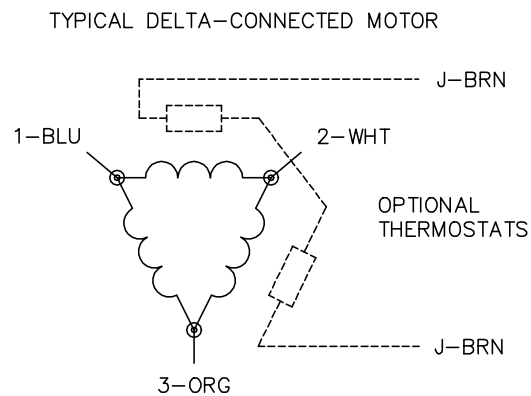
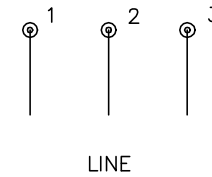
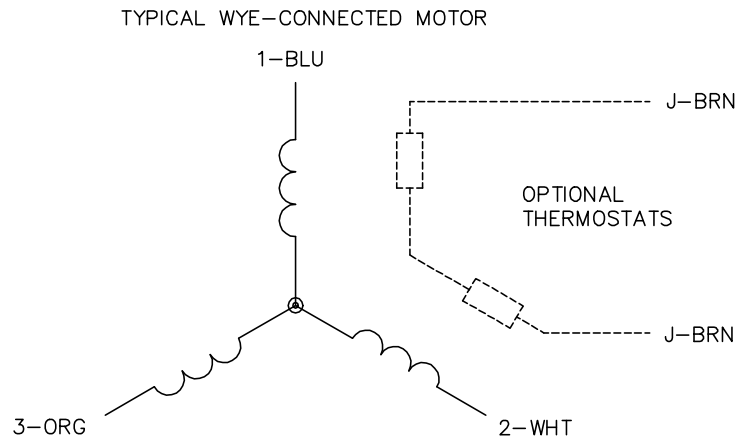
(N.P. 1575-BA)

416820-036

REV. DESC: LOADED TO BUS, C/R 335225		
REV. LTR: -	VERSION: 00	TDR: 000000538207
FILE: \MGA\00000\682	REVISED: 11: 54: 06 04/30/2010	
MTL: -	BY: RAGRA	

BALDOR
CONN DIAG - STANDARD 3 LEAD
SH 1 of 1

CD0006



NOTES:

1. THREE LEAD MOTOR MAY BE EITHER WYE CONNECTED OR DELTA CONNECTED.
2. INTERCHANGE ANY TWO LINE LEADS TO REVERSE ROTATION.
3. OPTIONAL THERMOSTATS ARE PROVIDED WHEN SPECIFIED.
4. ACTUAL NUMBER OF INTERNAL PARALLEL CIRCUITS MAY VARY.
5. LEAD COLORS ARE OPTIONAL. LEADS MUST BE NUMBERED AS SHOWN.

CD0006

REV. DESC: ADD CLASS CONN00000007		
REV. LTR: E	VERSION: 01	TDR: 000001099922
FILE: \AAA\00005\141	REVISED: 10:24:49 02/19/2019	BY: ENBRIRO
MTL: -	© □	

BALDOR - RELIANCE®

3PH, SV, 3 LEADS, WYE OR DELTA CONNECTED

SH 1 of 1