



Customer information packet

SUM72506-4

25HP, 1160RPM, 3PH, 60HZ, 250TY, XPNV, V1

Class - CLI GP C,D

Division - Not Applicable

Specifications

Enclosure	XPNV
Frame	250TY
Frame Material	Iron
Frequency	60.00 Hz
Haz Area Class and Group	CLI GP C,D
Haz Area Division	Not Applicable
Motor Letter Type	Three Phase
Phase	3
Agency Approvals	CCSA US
Base Indicator	Rigid
Bearing Grease Type	Polyrex EM (-20F +300F)
Cable Length	25 FOOT
Design Code	B
Drip Cover	No Drip Cover
Duty Rating	CONT
Haz Area Temp Code	T3C
Heater Indicator	No Heater
Insulation Class	F
Inverter Code	Not Inverter
IP Rating	NONE
KVA Code	F
Lifting Lugs	Standard Lifting Lugs
Motor Standards	NEMA
Motor Type	M
Mounting Arrangement	V1
Number of Poles	6
Product Family	Pump - Centrifugal
Pulley End Bearing Type	Ball
Pulley Face Code	Standard
Service Factor	1.15
Shaft Diameter	1.750 IN
Shaft Rotation	Reversible

Part detail

Revision	D
Type	AC
Mech. spec.	
Base	
Status	PRD/A
Elec. spec.	85928
Layout	619738-005
Eff. date	03-09-2022
CD Diagram	416820-036
Poles	///
Leads	
Proprietary	False
Created date	05-20-2021

Shaft Slinger Indicator	No Slinger
Speed Code	Single Speed
Starting Method	Direct on line
Thermal Device - Winding	Normally Closed Thermostat

Nameplate

000613007MN										
CAT NO	SUM72506-4	SPEC NO.	S25-CWS0-0004							
HP	25	AMPS	82/41	VOLTS	230/460		DESIGN	B		
FRAME SIZE	250TY	RPM	1160	HZ	60	AMB	40	SF	1.15	
D.E. BRG.	60BC03JPP30A	PH	3	DUTY	15 MIN		INSUL	F		
O.D.E. BRG.	40BC02JPG30A	TYPE	P	ENCL	TENV		CODE	F		
		POWER FACTOR		NEMA-NOM-EFF						
		MAX CORR KVAR		GUARANTEED EFFICIENCY						
		NEMA NOM/CSA QUOTED EFF @		100% LOAD						
SER.NO.		MOTOR WEIGHT	560	LBS.						
	FINAL CONN VOLTAGE = 460 *15									
	MIN IN AIR ;SUB. IN SEWAGE /									
	WATER ONLY									

000613007RC

CLASS I GROUP	C D X	NO.	
CLASS II GROUP	X X X		
OPERATING TEMP CODE	T3C		

000613007MR

CAT NO	SUM72506-4	SPEC NO.	S25-CWS0-0004						
HP	25	AMPS	82/41	VOLTS	230/460	DESIGN	B		
FRAME SIZE	250TY	RPM	1160	HZ	60	AMB	40	SF	1.15
D.E. BRG.	60BC03JPP30A	PH	3	DUTY	15 MIN	INSUL	F		
O.D.E. BRG.	40BC02JPG30A	TYPE	P	ENCL	TENV	CODE	F		
		POWER FACTOR		NEMA-NOM-EFF					
		MAX CORR KVAR		GUARANTEED EFFICIENCY					
		NEMA NOM/CSA QUOTED EFF @		100% LOAD					
SER.NO.		MOTOR WEIGHT	560	LBS.					
	FINAL CONN VOLTAGE = 460 *15								
	MIN IN AIR ;SUB. IN SEWAGE /								
	WATER ONLY								

AC induction motor performance data

Record #85928 - Typical performance - not guaranteed values

Winding	09WGA0210
Type	0950M
Enclosure	PART

Nameplate data

Rated Output			25
Volts			230/460
Full Load Amps			82/41
R.P.M.			1160
Hz	60	Phase	3
KVA Code			F
S.F.			1.15
NEMA Nom. Eff.	87.5	Power Factor	65
Duty			15 MIN
S.F. Amps			

460 V, 60 Hz:
High Voltage Connection

Full Load Torque	113 LB-FT
Start Configuration	direct on line
Breakdown Torque	234 LB-FT
Pull-up Torque	113 LB-FT
Locked-rotor Torque	150 LB-FT
Starting Current	169 A
No-load Current	21.27
Line-line Res. @ 25°C	0.533 Ω
Temp. Rise @ Rated Load	58°C
Temp. Rise @ S.F. Load	71°C
Locked-rotor Power Factor	27.6
Rotor inertia	3.86 lb-ft²

Load Characteristics 460 V, 60 Hz, 25 HP

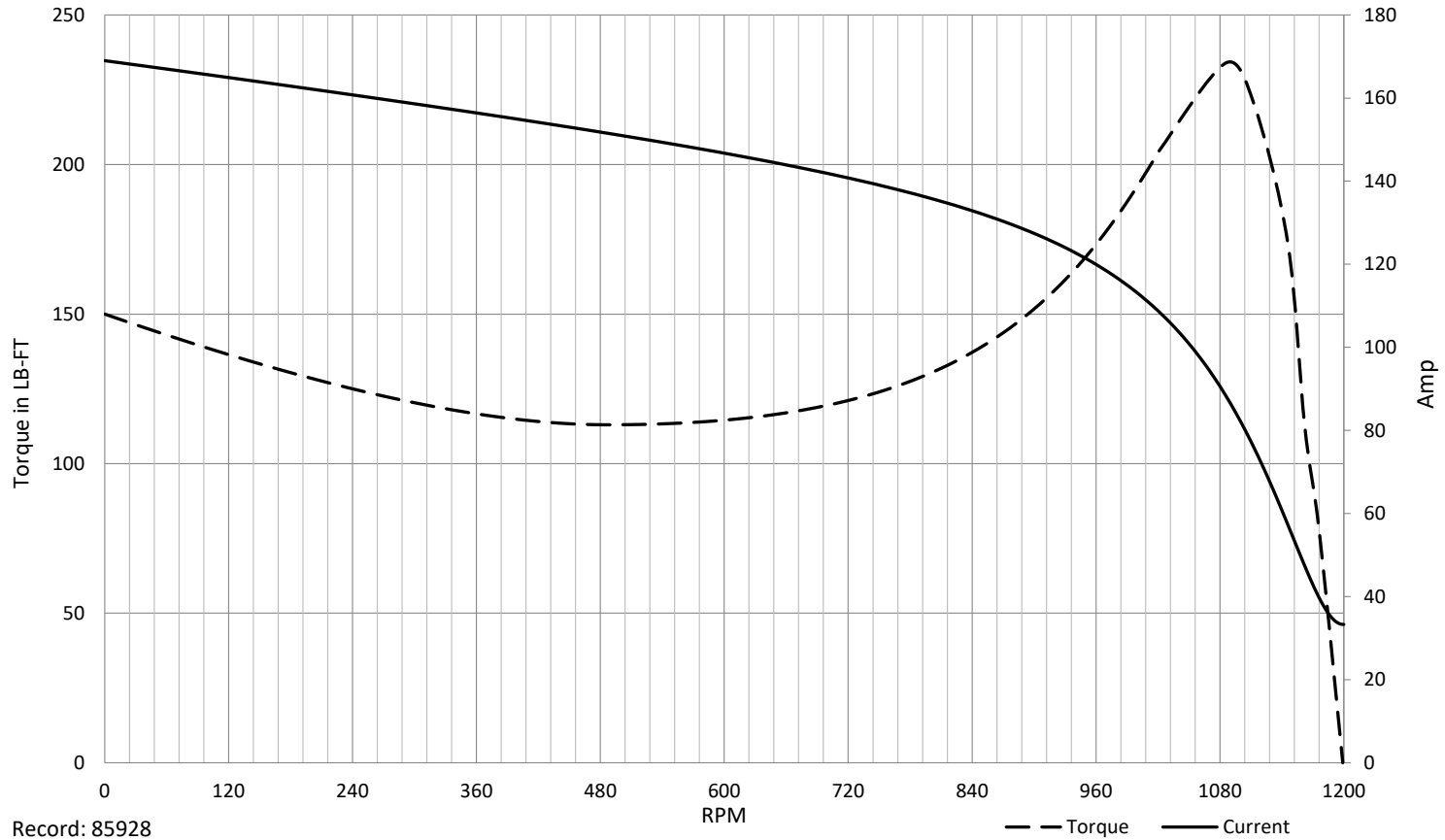
% of Rated Load	NL	25	50	75	100	125	150	SF
Power Factor	5	31	49	60	65	66	63	66
Efficiency	0	83.6	88.1	88.2	87.5	84.1	78.6	85.5
Speed	1199	1191	1183	1174	1162	1146	1110	1152
Line amperes	21.27	22.66	26.83	33.06	41.22	51.94	71.23	47.7

SPEED TORQUE / SPEED CURRENT CURVES

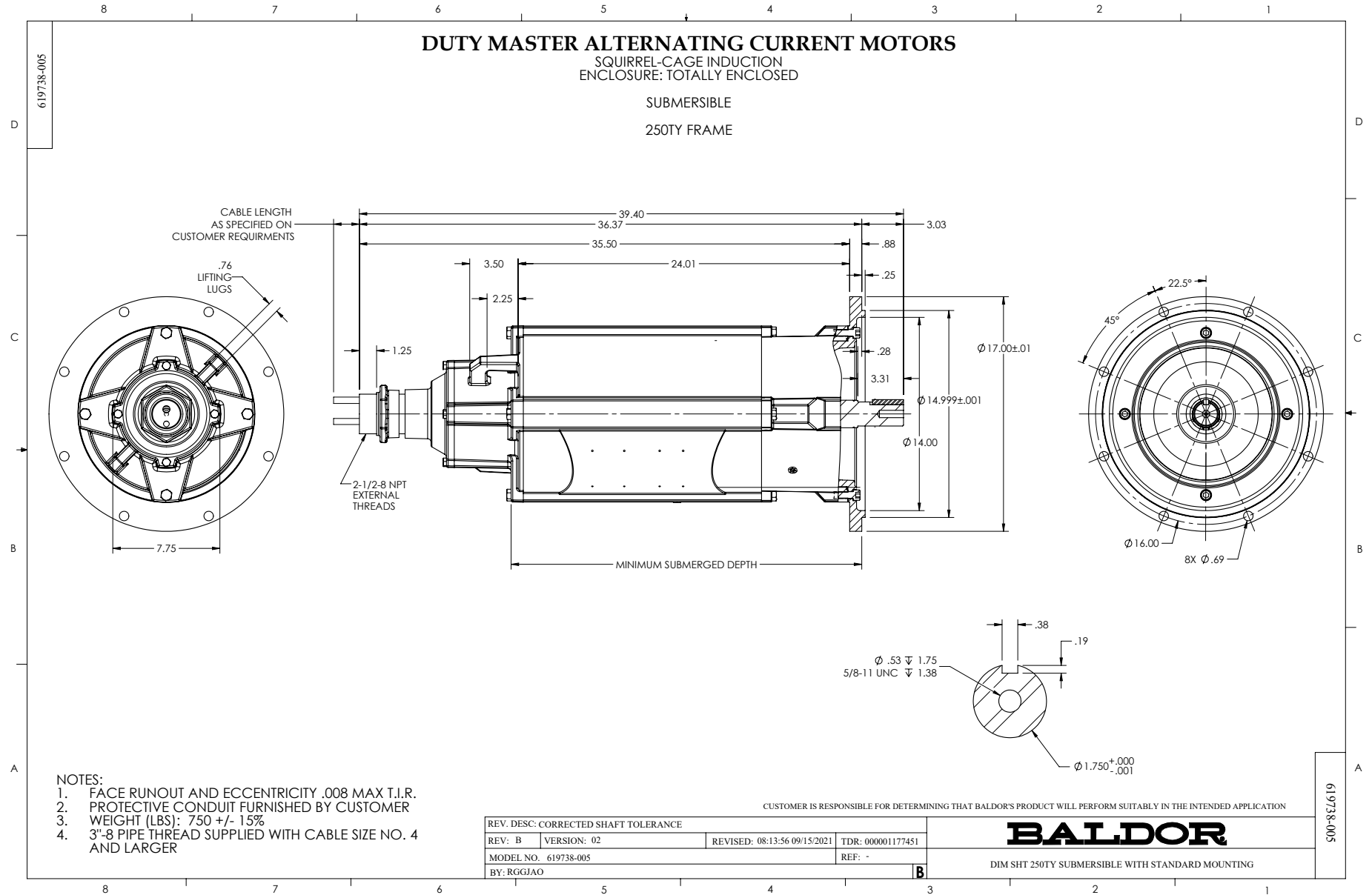


09WGA0210

25HP 460V 60HZ

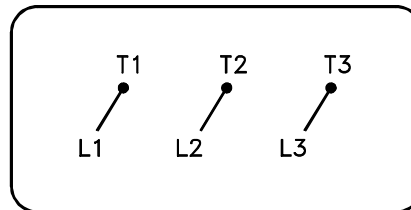


Record: 85928



416820-036

A-C MOTOR
CONNECTION DIAGRAM
STANDARD 3 LEAD CONNECTED



(N.P. 1575-BA)

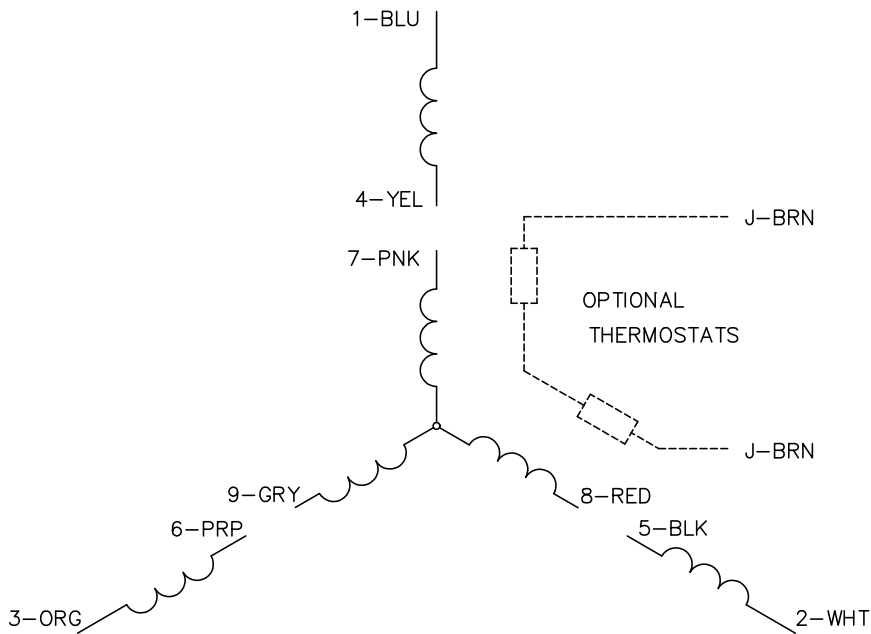
416820-036

REV. DESC: LOADED TO BUS, C/R 335225		
REV. LTR: -	VERSION: 00	TDR: 000000538207
FILE: \MGA\00000\682	REVISED: 11:54:06 04/30/2010	
MTL: -	BY: RAGRA	

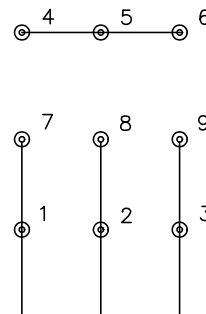
BALDOR

CONN DIAG - STANDARD 3 LEAD
SH 1 of 1

CD0005

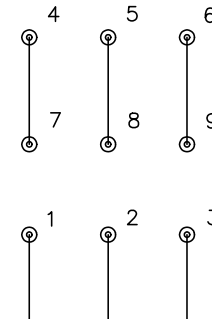


LOW VOLTAGE
(2Y)



LINE

HIGH VOLTAGE
(1Y)



LINE

NOTES:

1. INTERCHANGE ANY TWO LINE LEADS TO REVERSE ROTATION.
2. OPTIONAL THERMOSTATS ARE PROVIDED WHEN SPECIFIED.
3. ACTUAL NUMBER OF INTERNAL PARALLEL CIRCUITS MAY BE A MULTIPLE OF THOSE SHOWN ABOVE.
4. LEAD COLORS ARE OPTIONAL. LEADS MUST ALWAYS BE NUMBERED AS SHOWN.

CD0005

REV. DESC: REVISE TO SHOW OPTIONAL COLORS			
REV. LTR: E	BY: JLP	REVISED: 01/19/99 10:15	TDR: 0171435
S00000		FILE: AAA00005140	MDL: -
		MTL: -	

BALDOR ELECTRIC Co.

3PH, DV, 9 LEADS