

BALDOR • RELIANCE

Customer information packet

SUM710006-4

100HP, 1165RPM, 3PH, 60HZ, 360TY, TENV, FOOTL

Class - None

Division - Not Applicable

Specifications

Enclosure	XPNV
Frame	360TY
Frame Material	Iron
Frequency	60.00 Hz
Haz Area Class and Group	None
Haz Area Division	Not Applicable
Motor Letter Type	Three Phase
Output @ Frequency	100.000 @ 60 HZ
Phase	3
Voltage @ Frequency	460 V @ 60 HZ
Agency Approvals	CCSA US CSA CULUS UL
Base Indicator	Rigid
Bearing Grease Type	Polyrex EM (-20F +300F)
Cable Length	25 FOOT
Current @ Voltage	122 A @ 460 V
Design Code	B
Drip Cover	No Drip Cover
Duty Rating	15 MIN
Haz Area Temp Code	T3C
Heater Indicator	No Heater
Insulation Class	F
Inverter Code	Not Inverter
KVA Code	G
Lifting Lugs	Standard Lifting Lugs
Motor Standards	NEMA
Motor Type	M
Mounting Arrangement	V1
Number of Poles	6
Overall Length	47.10 IN

Part detail

Revision	A
Type	AC
Mech. spec.	
Base	
Status	PRD/A
Elec. spec.	W00971A A 001
Layout	066930-060
Eff. date	09-29-2016
CD Diagram	416820-036
Poles	06
Leads	
Proprietary	False
Created date	04-09-2015

Product Family	Other
Pulley End Bearing Type	Ball
Pulley Face Code	Standard
Service Factor	1.15
Shaft Diameter	2.499 IN
Shaft Rotation	Reversible
Shaft Slinger Indicator	No Slinger
Speed Code	Single Speed
Starting Method	Direct on line
Thermal Device - Winding	None

Nameplate

000613007RC

CLASS I GROUP	C D X	NO.	
CLASS II GROUP	X X X		
OPERATING TEMP CODE	T3C		

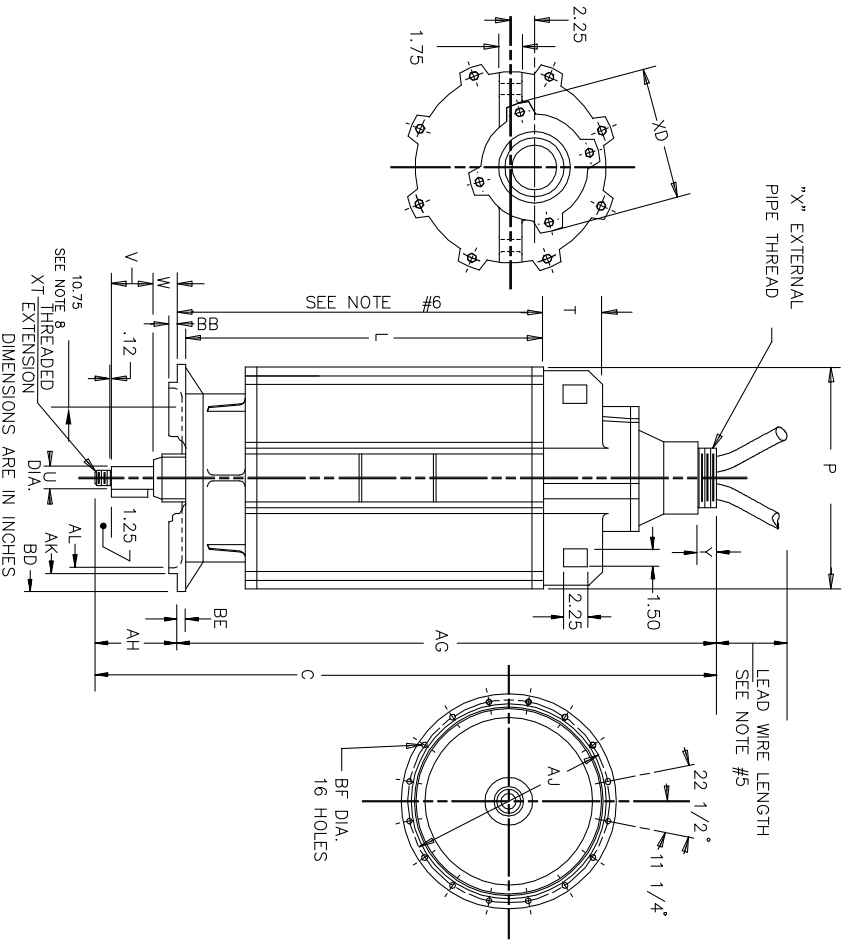
000613007MN

CAT NO	SUM710006-4	SPEC NO.	P36G2702						
HP	100	AMPS	122.	VOLTS	460	DESIGN	B		
FRAME SIZE	X0360TY	RPM	1165	HZ	60	AMB	40	SF	1.15
D.E. BRG.	90BJ33J30X	PH	3	DUTY	15MIN	INSUL	F		
O.D.E. BRG.	50BC03JG30X	TYPE	P	ENCL	TENV	CODE	G		
		POWER FACTOR		NEMA-NOM-EFF					
		MAX CORR KVAR		GUARANTEED EFFICIENCY					
		NEMA NOM/CSA QUOTED EFF @		100% LOAD					
SER.NO.		MOTOR WEIGHT	1650	LBS.					
	*15 MIN IN AIR ;SUB. IN								
	SEWAGE / WATER ONLY MAXDEPTH								
	IN MANUAL; P36G2702G								

000613007MR

CAT NO	SUM710006-4	SPEC NO.	P36G2702						
HP	100	AMPS	122.	VOLTS	460	DESIGN	B		
FRAME SIZE	X0360TY	RPM	1165	HZ	60	AMB	40	SF	1.15
D.E. BRG.	90BJ33J30X	PH	3	DUTY	15MIN	INSUL	F		
O.D.E. BRG.	50BC03JG30X	TYPE	P	ENCL	TENV	CODE	G		
		POWER FACTOR		NEMA-NOM-EFF					
		MAX CORR KVAR		GUARANTEED EFFICIENCY					
		NEMA NOM/CSA QUOTED EFF @		100% LOAD					
SER.NO.		MOTOR WEIGHT	1650	LBS.					
	*15 MIN IN AIR ;SUB. IN								
	SEWAGE / WATER ONLY MAXDEPTH								
	IN MANUAL; P36G2702G								

DUTY MASTER ALTERNATING CURRENT MOTORS
 SQUIREL-CAGE INDUCTION
 ENCLOSURE: TOTALLY ENCLOSED SUBMERSIBLE
 FRAME 360TY THRU L360TY



1.)

FRAME	C	L	P	T	U (3)	V	W	AG	AH	AJ	AK (4)	AL
360TY	47.1	31.25	18.38	4.25	2.4997	3.19	2.12	43.25	6.56	18.75	17.500	15.25
L360TY	49.1	33.25	18.38	4.25	2.4997	3.19	2.12	45.25	6.56	18.75	17.500	15.25

1.)

FRAME	BB	BD (2)	BE	BF	XT	LEAD CONNECTION		B.E. KEY	
						X	Y	XD	SQ. LGTH.
360TY	.25	20.25	1.12	.69	1-1/2-12.3 - 8	1.25	10.88	.50	3.00
L360TY	.25	20.25	1.12	.69	1-1/2-12.3 - 8	1.25	10.88	.50	3.00

- 1.) SPECIAL DIMENSIONS APPLYING TO THIS ORDER ON THIS LINE.
 2.) "BP" VARIES +.010.
 3.) "U" VARIES +.000, -.0005.
 4.) "AK" VARIES +.000, -.002
 5.) LEAD WIRE LENGTH AS SPECIFIED ON SALES ORDER.
 6.) MINIMUM SUBMERGED DEPTH
- FACE RUNOUT AND ECCENTRICITY .008 MAX. T.I.R.
 PROTECTIVE CONDUIT FURNISHED BY CUSTOMER.

090-056990

CUSTOMER IS RESPONSIBLE FOR DETERMINING THAT BALDOR'S PRODUCT WILL PERFORM SUITABLY IN THE INTENDED APPLICATION.

REV. DESC: UPDATE NOTES, LOAD TO BUS	VERSION: 00	TDR: 00000921348	BALDOR DIM SHT 360TY/L360TY SUBMERSIBLE SH 1 of 1
REV. LTR: -	FILE: \RGG\00024\962	REVISED: 09:19:59 04/20/2015	
MTL: -	BY: RCGWT		

416820-036

A-C MOTOR
CONNECTION DIAGRAM
STANDARD 3 LEAD CONNECTED



(N.P. 1575-BA)

416820-036

REV. DESC: LOADED TO BUS, C/R 335225		
REV. LTR: -	VERSION: 00	TDR: 000000538207
FILE: \MGA\00000\682	REVISED: 11: 54: 06 04/30/2010	
MTL: -	BY: RAGRA	

BALDOR

CONN DIAG - STANDARD 3 LEAD
SH 1 of 1