

BALDOR • RELIANCE

Customer information packet

SUM710004-4

100HP, 1770RPM, 3PH, 60HZ, 360TY, TENV, FOOTL

Class - None

Division - Not Applicable

Specifications

Enclosure	XPNV
Frame	360TY
Frame Material	Iron
Haz Area Class and Group	None
Haz Area Division	Not Applicable
Motor Letter Type	Three Phase
Phase	3
Agency Approvals	UL CSA CCSA US
Base Indicator	Rigid
Bearing Grease Type	Polyrex EM (-20F +300F)
Cable Length	25 FOOT
Design Code	B
Drip Cover	No Drip Cover
Duty Rating	15 MIN
Haz Area Temp Code	T3C
Heater Indicator	No Heater
Inverter Code	Not Inverter
Lifting Lugs	Standard Lifting Lugs
Motor Standards	NEMA
Motor Type	M
Mounting Arrangement	V1
Number of Poles	4
Overall Length	47.10 IN
Pulley End Bearing Type	Ball
Pulley Face Code	Standard
Service Factor	1.15
Shaft Rotation	Reversible
Shaft Slinger Indicator	No Slinger
Speed Code	Single Speed
Starting Method	Direct on line

Part detail

Revision	C
Type	AC
Mech. spec.	
Base	
Status	PRD/A
Elec. spec.	E09838A D 003
Layout	066930-060
Eff. date	05-15-2019
CD Diagram	416820-036
Poles	04
Leads	
Proprietary	False
Created date	04-09-2015

Thermal Device - Winding

None

Nameplate

000613007RC

CLASS I GROUP	C D X	NO.	
CLASS II GROUP	X X X		
OPERATING TEMP CODE	T3C		

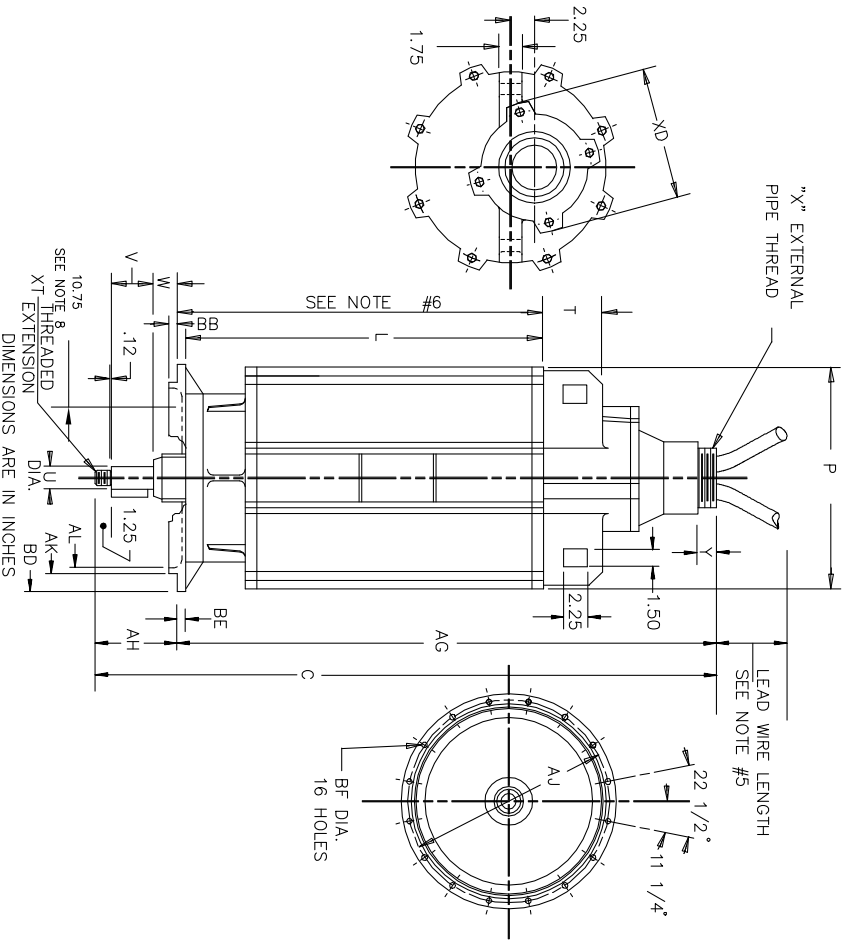
000613007MN

CAT NO	SUM710004-4	SPEC NO.	P36G2701						
HP	100	AMPS	116.	VOLTS	460	DESIGN	B		
FRAME SIZE	X0360TY	RPM	1770	HZ	60	AMB	40	SF	1.15
D.E. BRG.	90BJ33J30X	PH	3	DUTY	15MIN	INSUL	F		
O.D.E. BRG.	50BC03JG30X	TYPE	P	ENCL	TENV	CODE	G		
		POWER FACTOR		NEMA-NOM-EFF					
		MAX CORR KVAR		GUARANTEED EFFICIENCY					
		NEMA NOM/CSA QUOTED EFF @		100% LOAD					
SER.NO.		MOTOR WEIGHT		LBS.					
	*15 MIN IN AIR ;SUB. IN								
	SEWAGE / WATER ONLY MAXDEPTH								
	IN MANUAL								

000613007MR

CAT NO	SUM710004-4	SPEC NO.	P36G2701						
HP	100	AMPS	116.	VOLTS	460	DESIGN	B		
FRAME SIZE	X0360TY	RPM	1770	HZ	60	AMB	40	SF	1.15
D.E. BRG.	90BJ33J30X	PH	3	DUTY	15MIN	INSUL	F		
O.D.E. BRG.	50BC03JG30X	TYPE	P	ENCL	TENV	CODE	G		
		POWER FACTOR		NEMA-NOM-EFF					
		MAX CORR KVAR		GUARANTEED EFFICIENCY					
		NEMA NOM/CSA QUOTED EFF @		100% LOAD					
SER.NO.		MOTOR WEIGHT		LBS.					
	*15 MIN IN AIR ;SUB. IN								
	SEWAGE / WATER ONLY MAXDEPTH								
	IN MANUAL								

DUTY MASTER ALTERNATING CURRENT MOTORS
 SQUIREL-CAGE INDUCTION
 ENCLOSURE: TOTALLY ENCLOSED SUBMERSIBLE
 FRAME 360TY THRU L360TY



1.)

FRAME	C	L	P	T	U (3)	V	W	AG	AH	AJ	AK (4)	AL
360TY	47.1	31.25	18.38	4.25	2.4997	3.19	2.12	43.25	6.56	18.75	17.500	15.25
L360TY	49.1	33.25	18.38	4.25	2.4997	3.19	2.12	45.25	6.56	18.75	17.500	15.25

1.)

FRAME	BB	BD (2)	BE	BF	XT	LEAD CONNECTION		B.E. KEY	
						X	Y	XD	SQ. LGTH.
360TY	.25	20.25	1.12	.69	1-1/2-12.3 - 8	1.25	10.88	.50	3.00
L360TY	.25	20.25	1.12	.69	1-1/2-12.3 - 8	1.25	10.88	.50	3.00

- 1.) SPECIAL DIMENSIONS APPLYING TO THIS ORDER ON THIS LINE.
 2.) "BP" VARIES +.010.
 3.) "U" VARIES +.000, -.0005.
 4.) "AK" VARIES +.000, -.002
 5.) LEAD WIRE LENGTH AS SPECIFIED ON SALES ORDER.
 6.) MINIMUM SUBMERGED DEPTH

FACE RUNOUT AND ECCENTRICITY .008 MAX. T.I.R.
 PROTECTIVE CONDUIT FURNISHED BY CUSTOMER.

090-056990

CUSTOMER IS RESPONSIBLE FOR DETERMINING THAT BALDOR'S PRODUCT WILL PERFORM SUITABLY IN THE INTENDED APPLICATION.

REV. DESC: UPDATE NOTES, LOAD TO BUS	VERSION: 00	TDR: 00000921348
REV. LTR: -	REVISED: 09:19:59 04/20/2015	BY: RCGWT
FILE: \RGG\00024\962		
MTL: -		

BALDOR
 DIM SHT 360TY/L360TY SUBMERSIBLE
 SH 1 of 1

416820-036

A-C MOTOR
CONNECTION DIAGRAM
STANDARD 3 LEAD CONNECTED



(N.P. 1575-BA)

416820-036

REV. DESC: LOADED TO BUS, C/R 335225		
REV. LTR: -	VERSION: 00	TDR: 000000538207
FILE: \MGA\00000\682	REVISED: 11:54:06 04/30/2010	
MTL: -	BY: RAGRA	

BALDOR

CONN DIAG - STANDARD 3 LEAD
SH 1 of 1