

# ABB BALDOR RELIANCE III

---

## Customer information packet

### SSBSM80C-275CA

17 LB. IN. , SS BSM SERVO MOTOR

**Specifications**

<b>Enclosure</b>	TENV
<b>Nameplate Speed</b>	4000
<b>Agency Approvals</b>	C UR US CE
<b>Base Indicator</b>	Bracket Mounted
<b>Dimensional Drawing Numbers</b>	S2LYP263
<b>Frame</b>	D100D
<b>Frame Material</b>	Exposed Laminations
<b>Motor Lead Quantity/Wire Size</b>	3 @ 18 AWG
<b>Motor Standards</b>	IEC
<b>Mounting Arrangement</b>	F1
<b>Nameplate Output</b>	0.74KW
<b>Shaft Rotation</b>	Reversible

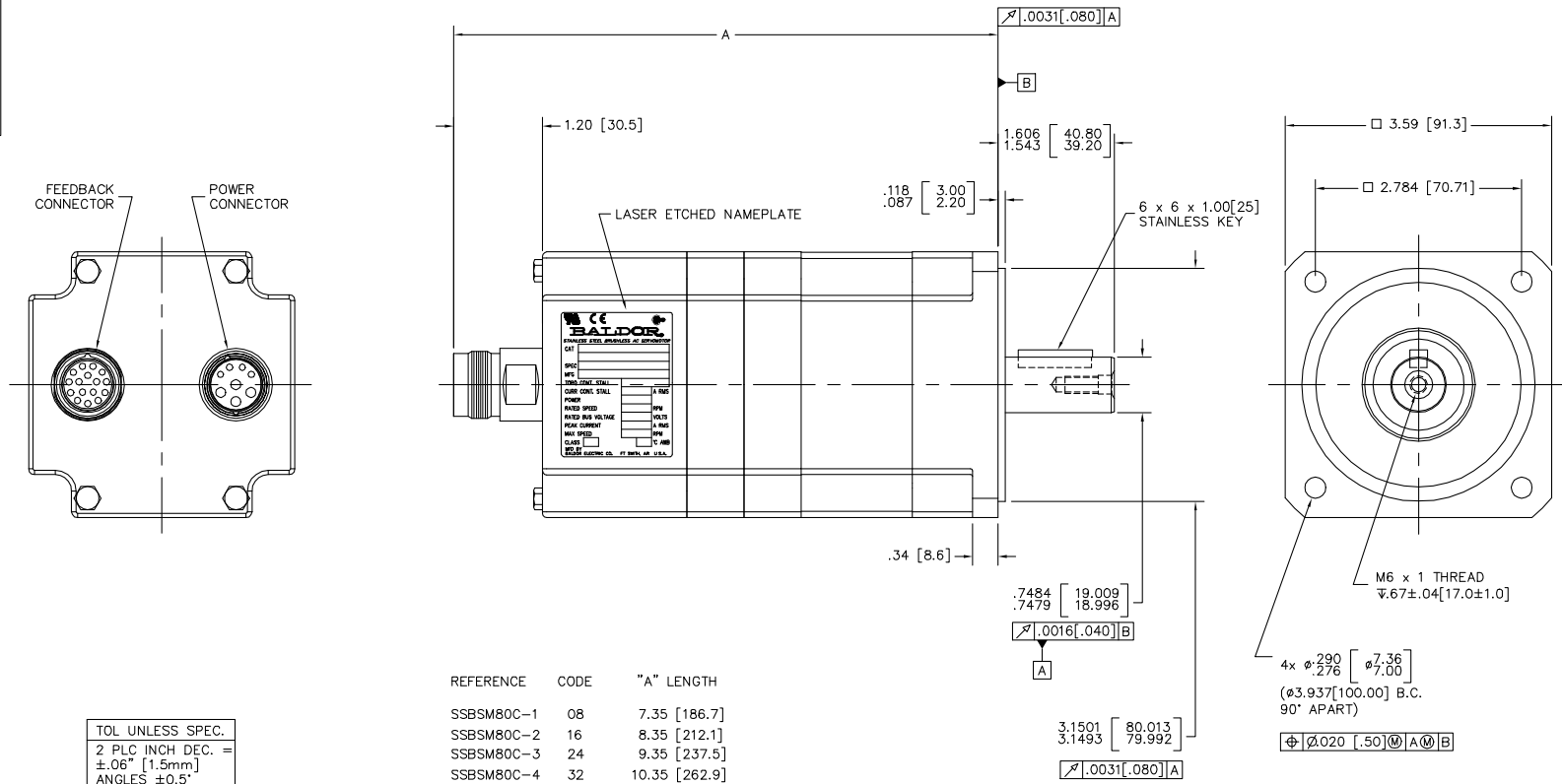
**Part Detail**

<b>Revision</b>	AC
<b>Type</b>	AC
<b>Mech. spec.</b>	S2P263
<b>Base</b>	
<b>Status</b>	PRD/A
<b>Elec. spec.</b>	S2WGW048
<b>Layout</b>	S2LYP263
<b>Eff. date</b>	10-23-2025
<b>CD Diagram</b>	CD0006A02
<b>Poles</b>	04
<b>Leads</b>	3#18
<b>Proprietary</b>	False
<b>Created date</b>	05-16-2005

**Nameplate**

<b>NP4320</b>			
<b>CAT.NO.</b>			
<b>BLANK</b>	IP67	IC410	8KG
<b>SPEC.</b>	S2P263W048G1		
<b>MFG.NO.</b>			
<b>TORQ CONT STALL</b>	1.92 NM		
<b>CUR CONT STALL/A RMS</b>	2.59		
<b>POWER</b>	0.74KW		
<b>RATED SPEED/RPM</b>	4000		
<b>RATED BUS VOLTS</b>	320		
<b>PEAK CUR/A RMS</b>	7.8		
<b>MAX SPEED/RPM</b>	7000		
<b>CLASS</b>	F	<b>AMB.</b>	25
<b>APRV-CE</b>			

S2LYP263



TOL UNLESS SPEC.  
2 PLC INCH DEC. =  
 $\pm .06$ " [1.5mm]  
ANGLES  $\pm 0.5^\circ$

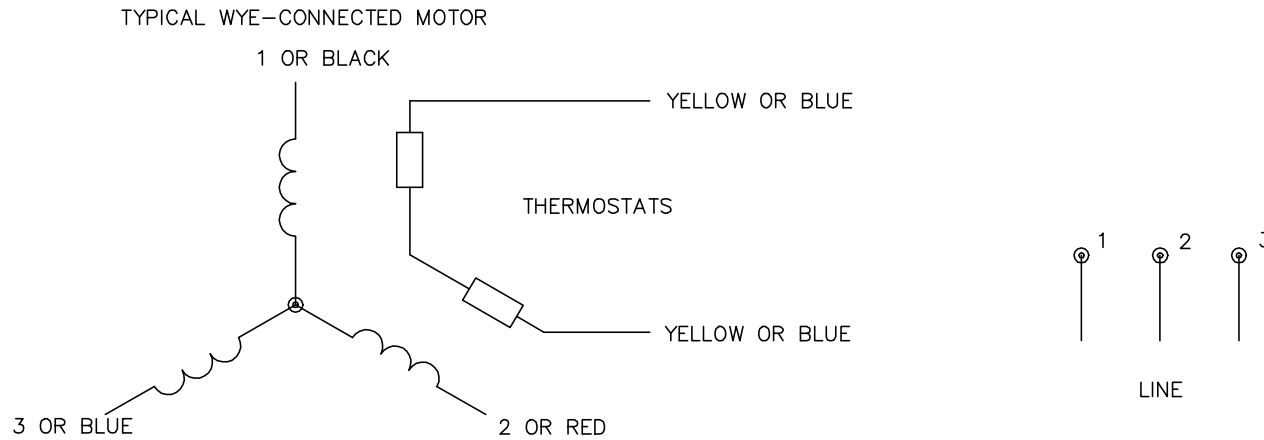
REFERENCE	CODE	"A" LENGTH
SSBSM80C-1	08	7.35 [186.7]
SSBSM80C-2	16	8.35 [212.1]
SSBSM80C-3	24	9.35 [237.5]
SSBSM80C-4	32	10.35 [262.9]

CUSTOMER IS RESPONSIBLE FOR DETERMINING THAT BALDOR'S PRODUCT WILL PERFORM SUITABLY IN THE INTENDED APPLICATION.

REV. DESC: ADD FLANGE THICKNESS			
REV. LTR: D	VERSION: 04	TDR: 00000755836	<b>BALDOR</b> SSBSM80C, RESOLVER, METRIC CONN'S, LASER NP SH 1 of 1
FILE: \AAA\00123\643	REVISED: 01:08:25 07/12/2012	BY: ENJEFD0	
MTL: -			

S2LYP263

CD0006A02



NOTES:

1. INTERCHANGE ANY TWO LINE LEADS TO REVERSE ROTATION.
2. ACTUAL NUMBER OF INTERNAL PARALLEL CIRCUITS MAY VARY.

REV. DESC: REMOVED "OPTIONAL" FROM PRINT, SERVO REQ'S T'STATS		
REV. LTR: D	VERSION: 03	TDR: 000000414937
CD0006A02	FILE: \AAA\00068\606	REVISED: 10:02:28 11/21/2006
	MTL: -	BY: ENJEFO

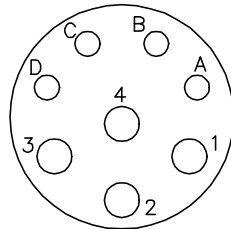
**BALDOR ELECTRIC Co.**

3PH, SV, 3 LEADS, WYE CONNECTED

CD0006A02

CD1808

8 PIN THREADED CONNECTOR  
(CRIMP STYLE)  
(INSERTION SIDE)



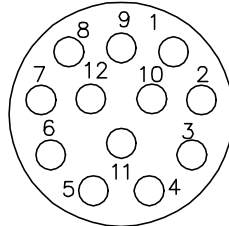
MOTOR CONNECTIONS

PIN	FUNCTION	INTERNAL WIRE COLOR
A	THERMAL SWITCH *	YELLOW
B	THERMAL SWITCH *	YELLOW
C	BRAKE *	BLACK (* RED)
D	BRAKE *	BLACK
1	U	BLACK OR T1
2	GROUND	GREEN OR **GREEN/YELLOW
3	W	BLUE OR T3
4	V	RED OR T2

\* WHEN REQUIRED

\*\*CE MOTORS REQUIRE GREEN/YELLOW GROUND

12 PIN THREADED CONNECTOR  
(CRIMP STYLE)  
(INSERTION SIDE)



RESOLVER CONNECTIONS

PIN	FUNCTION	INTERNAL WIRE COLOR
1	REF HI R1	RED/WHITE
2	REF LO R2	YELLOW/WHITE
3	COS+ S1	RED
4	COS- S3	BLACK
5	SINE+ S2	BLUE
6	SINE- S4	YELLOW
7	-	-
8	-	-
9	-	-
10	-	-
11	-	-
12	-	-

CD1808

REV. DESC: ADD CE NOTE AND GREEN/YELLOW GROUND

REV. LTR: B

VERSION: 02

TDR: 000001192301

FILE: \AAA\00117\633

REVISED: 02:38:03 06/13/2022

BY: ENDAND0

MTL: -



**BALDOR - RELIANCE®**

SSBSM - WIRING DIAG, POWER & RESOLVER, 8 & 12 PIN CONN'S

SH 1 of 1