



Customer information packet

SPNM3457

.33HP, 3450RPM, 3PH, 60HZ, 48, 3416M, TENV, F1

Class - None

Division - Not Applicable

Specifications

Enclosure	TENV
Frame	48
Frame Material	Steel
Frequency	60.00 Hz
Haz Area Class and Group	None
Haz Area Division	Not Applicable
Motor Letter Type	Three Phase
Output @ Frequency	.330 HP @ 60 HZ
Phase	3
Synchronous Speed @ Frequency	3600 RPM @ 60 HZ
Voltage @ Frequency	230.0 V @ 60 HZ 460.0 V @ 60 HZ
Agency Approvals	C UR US WEEE
Ambient Temperature	40 °C
Auxiliary Box	NO AUXILLARY BOX
Auxiliary Box Lead Termination	None
Base Indicator	Rigid
Bearing Grease Type	Polyrex EM (-20F +300F)
Blower	None
Current @ Voltage	1.000 A @ 230.0 V .500 A @ 460.0 V
Design Code	B
Drip Cover	No Drip Cover
Duty Rating	CONT
Efficiency @ 100% Load	74.0 %
Electrically Isolated Bearing	Not Electrically Isolated
Feedback Device	NO FEEDBACK
Front Shaft Indicator	None
Heater Indicator	No Heater
High Voltage Full Load Amps	0.5 a
Insulation Class	F

Part detail

Revision	B
Type	AC
Mech. spec.	34T124
Base	
Status	PRD/A
Elec. spec.	34WGS342
Layout	34LYT124
Eff. date	10-29-2024
CD Diagram	CD0005
Poles	02
Leads	9#18
Proprietary	False
Created date	09-13-2023

Inverter Code	Not Inverter
KVA Code	P
Lifting Lugs	No Lifting Lugs
Locked Bearing Indicator	No Locked Bearing
Motor Lead Quantity/Wire Size	9 @ 18 AWG
Motor Lead Termination	Flying Leads
Motor Standards	NEMA
Motor Type	3416M
Mounting Arrangement	F1
Number of Poles	2
Overall Length	9.63 IN
Power Factor	81
Product Family	General Purpose
Pulley End Bearing Type	Ball
Pulley Face Code	Standard
Pulley Shaft Indicator	Standard
Rodent Screen	None
Service Factor	1.35
Shaft Diameter	0.500 IN
Shaft Ground Indicator	No Shaft Grounding
Shaft Rotation	Reversible
Shaft Slinger Indicator	No Slinger
Speed	3450 rpm
Speed Code	Single Speed
Starting Method	Direct on line
Thermal Device - Bearing	None
Thermal Device - Winding	None
Vibration Sensor Indicator	No Vibration Sensor
Winding Thermal 1	None
Winding Thermal 2	None

AC Induction Motor Performance Data

Record # 100833

Preliminary Data Sheet

Winding: 34WGS342-R003		Type: 3416M	Enclosure: TENV	
Nameplate Data		460 V, 60 Hz: High Voltage Connection		
Rated Output (HP)	.33	Full Load Torque	0.5 LB-FT	
Volts	230/460	Start Configuration	direct on line	
Full Load Amps	.8/.4	Breakdown Torque	2.9 LB-FT	
R.P.M.	3450	Pull-up Torque	1.65 LB-FT	
Hz	60 Phase	3	Locked-rotor Torque	2.3 LB-FT
NEMA Design Code	B KVA Code	P	Starting Current	4.5 A
Service Factor (S.F.)		1.35	No-load Current	0.29 A
NEMA Nom. Eff.	74 Power Factor	81	Line-line Res. @ 25°C	34.8 Ω
Rating - Duty		40C AMB-CONT	Temp. Rise @ Rated Load	66°C
S.F. Amps		1/.5	Temp. Rise @ S.F. Load	76°C
			Locked-rotor Power Factor	65.1
			Rotor inertia	0.0148 lb-ft ²

Load Characteristics 460 V, 60 Hz, 0.33 HP

% of Rated Load	25	50	75	100	125	150	S.F.
Power Factor	50	65	75	81	85	87	86
Efficiency	48.1	63.6	70.8	74.6	76.6	77.1	76.8
Speed	3559	3535	3509	3482	3453	3441	3448
Line amperes	0.33	0.37	0.44	0.51	0.59	0.63	0.606

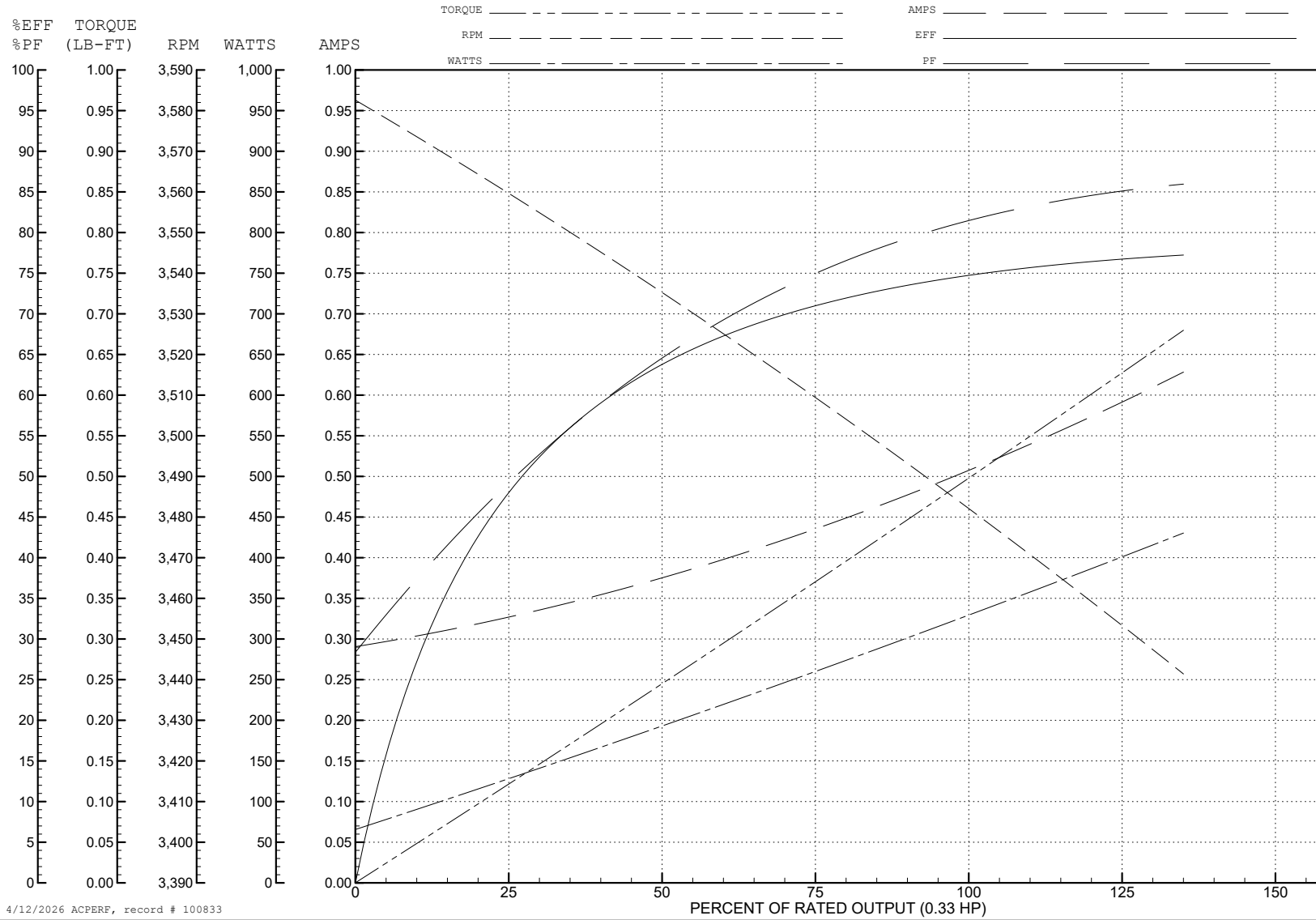
ABB Motors and Mechanical Inc.

WINDING # 34WGS342

0.33 HP 3 PH 60 HZ 3450 RPM 460 V 3416M

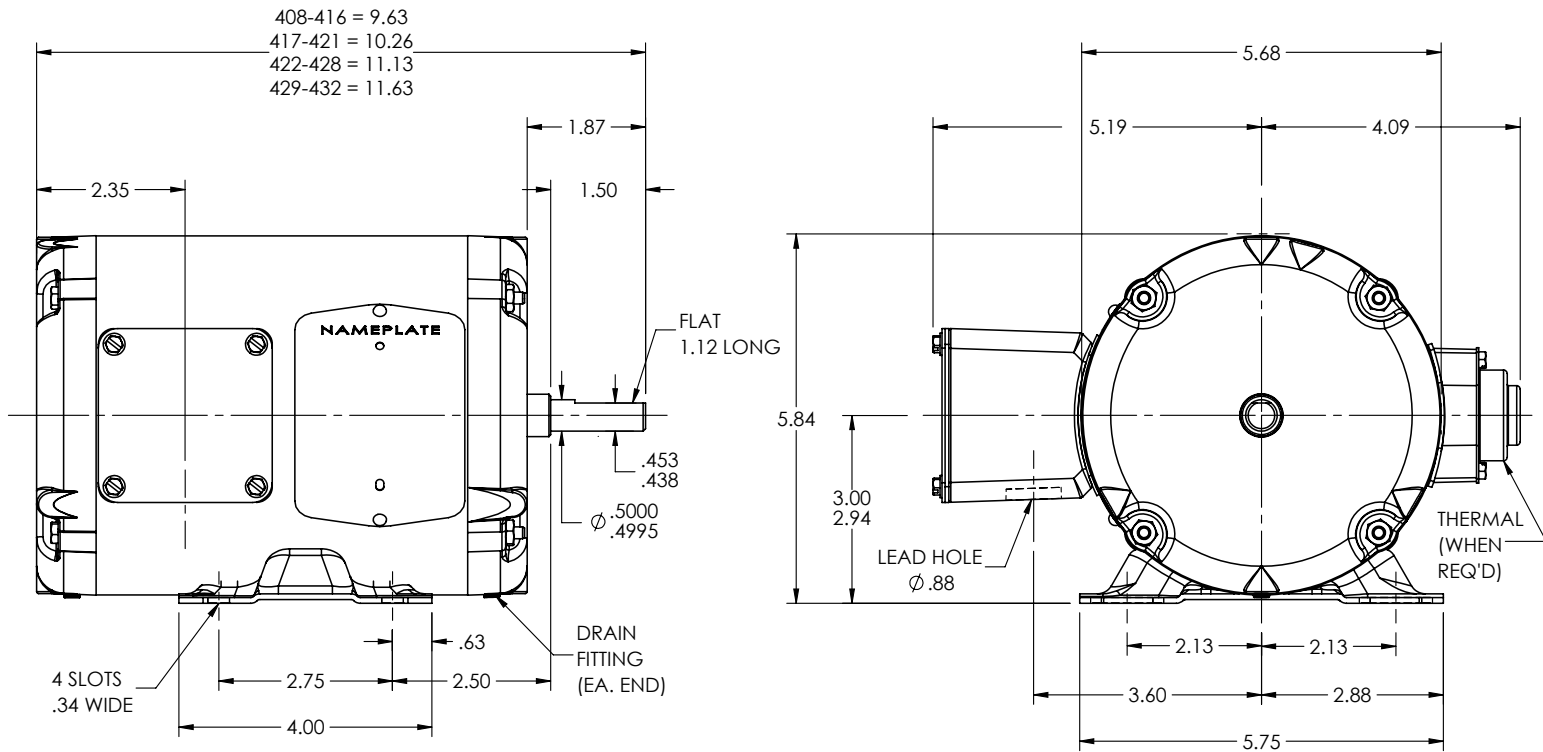
Typical performance - not guaranteed values.

TORQUES (LB-FT): PO=2.9 PU=1.65 LR=2.3 LRA=4.5



4/12/2026 ACPERF, record # 100833

34LYT124



CUSTOMER IS RESPONSIBLE FOR DETERMINING THAT THE PRODUCT WILL PERFORM SUITABLY IN THE INTENDED APPLICATION

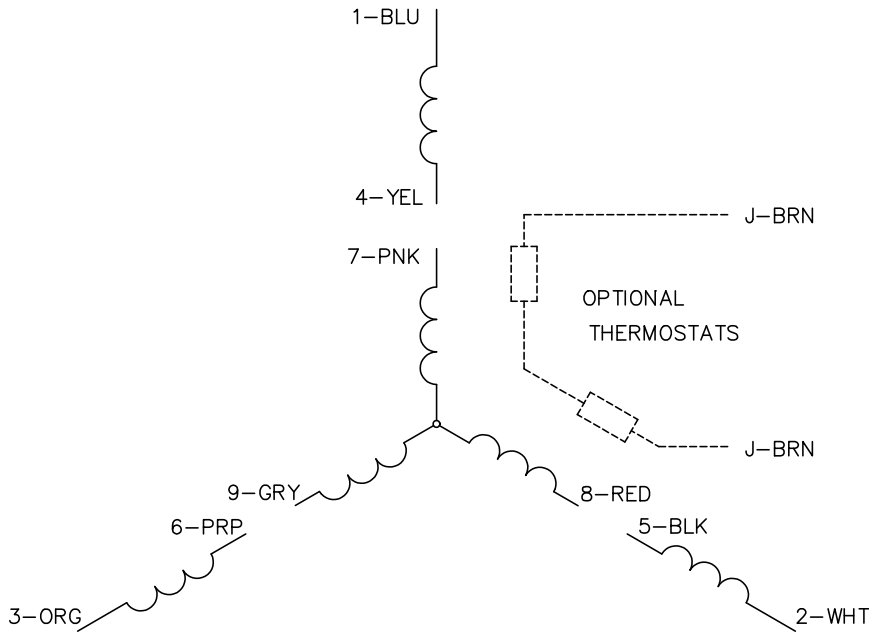
REV. DESC: NEW			
REV: -	VERSION: 00	REVISED: 01:05:26 08/25/2023	TDR: 000001213521
MODEL NO. 34LYT124		REF: -	
BY: USALMAZ			

BALDOR - RELIANCE®

STD HORZ MODEL 34M NEMA 48 TENV W/DRAIN FITTINGS, IP54

34LYT124

CD0005

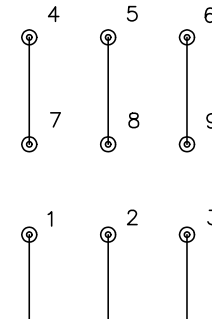


LOW VOLTAGE
(2Y)



LINE

HIGH VOLTAGE
(1Y)



LINE

NOTES:

1. INTERCHANGE ANY TWO LINE LEADS TO REVERSE ROTATION.
2. OPTIONAL THERMOSTATS ARE PROVIDED WHEN SPECIFIED.
3. ACTUAL NUMBER OF INTERNAL PARALLEL CIRCUITS MAY BE A MULTIPLE OF THOSE SHOWN ABOVE.
4. LEAD COLORS ARE OPTIONAL. LEADS MUST ALWAYS BE NUMBERED AS SHOWN.

CD0005

REV. DESC: REVISE TO SHOW OPTIONAL COLORS

REV. LTR: E BY: JLP REVISED: 01/19/99 10:15 TDR: 0171435

500000

FILE: AAA00005140

MDL: -

MTL: -

BALDOR ELECTRIC Co.

3PH, DV, 9 LEADS