

ABB BALDOR RELIANCE III

Customer information packet

SPNM3455

.25HP, 1150RPM, 3PH, 60HZ, 48, 3420M, TENV, F1

Class - None

Division - Not Applicable

Specifications

Enclosure	TENV
Frame	48
Frame Material	Steel
Frequency	60.00 Hz
Haz Area Class and Group	None
Haz Area Division	Not Applicable
Motor Letter Type	Three Phase
Output @ Frequency	.250 HP @ 60 HZ
Phase	3
Synchronous Speed @ Frequency	1200 RPM @ 60 HZ
Voltage @ Frequency	230.0 V @ 60 HZ 460.0 V @ 60 HZ
Agency Approvals	C UR US WEEE
Ambient Temperature	40 °C
Auxiliary Box	NO AUXILLARY BOX
Auxiliary Box Lead Termination	None
Base Indicator	Rigid
Bearing Grease Type	Polyrex EM (-20F +300F)
Blower	None
Current @ Voltage	1.300 A @ 230.0 V .650 A @ 460.0 V
Design Code	B
Drip Cover	No Drip Cover
Duty Rating	CONT
Efficiency @ 100% Load	74.0 %
Electrically Isolated Bearing	Not Electrically Isolated
Feedback Device	NO FEEDBACK
Front Shaft Indicator	None
Heater Indicator	No Heater
High Voltage Full Load Amps	0.7 a
Insulation Class	B

Part Detail

Revision	C
Type	AC
Mech. spec.	34T125
Base	
Status	PRD/A
Elec. spec.	34WGR775
Layout	34LYT125
Eff. date	09-25-2025
CD Diagram	CD0005
Poles	06
Leads	9#18
Proprietary	False
Created date	09-13-2023

Inverter Code	Not Inverter
KVA Code	N
Lifting Lugs	No Lifting Lugs
Locked Bearing Indicator	No Locked Bearing
Motor Lead Quantity/Wire Size	9 @ 18 AWG
Motor Lead Termination	Flying Leads
Motor Standards	NEMA
Motor Type	3420M
Mounting Arrangement	F1
Number of Poles	6
Overall Length	10.25 IN
Power Factor	41
Product Family	General Purpose
Pulley End Bearing Type	Ball
Pulley Face Code	Standard
Pulley Shaft Indicator	Standard
Rodent Screen	None
Service Factor	1.35
Shaft Diameter	0.500 IN
Shaft Ground Indicator	No Shaft Grounding
Shaft Rotation	Reversible
Shaft Slinger Indicator	No Slinger
Speed	1150 rpm
Speed Code	Single Speed
Starting Method	Direct on line
Thermal Device - Bearing	None
Thermal Device - Winding	None
Vibration Sensor Indicator	No Vibration Sensor
Winding Thermal 1	None
Winding Thermal 2	None

Nameplate

NP4558A02LL									
CAT #	SPNM3455		WGT	27	LBS				
SER #				ENCL	TENV				
SPEC	34T125R775		CC			IP	23		
HP	.25					NEMA NOM. EFF	74		
VOLTS	230/460		PF	41					
AMPS	1.3/.65								
RATING	40C AMB-CONT								
RPM	1150		PH	3	DES	B			
FRAME	48	HZ	60	CODE	N	CLASS	B		
SER.F.	1.35	SF AMP	1.5/.75						
DE	6203		ODE	6203					
GREASE	POLYREX EM								
YR				QR					

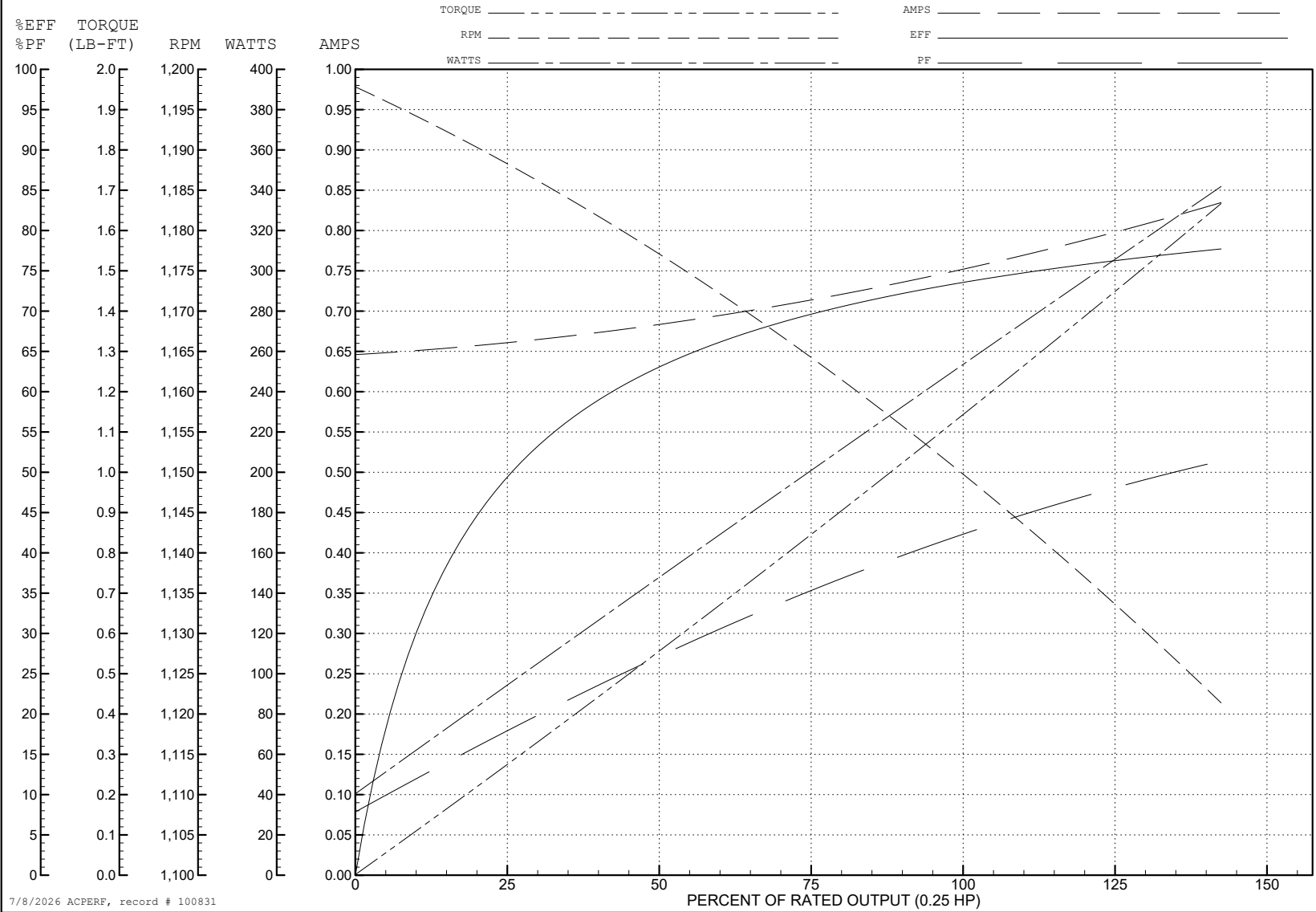
ABB Motors and Mechanical Inc.

WINDING # 34WGR775

0.25 HP 3 PH 60 HZ 1150 RPM 460 V 3420M

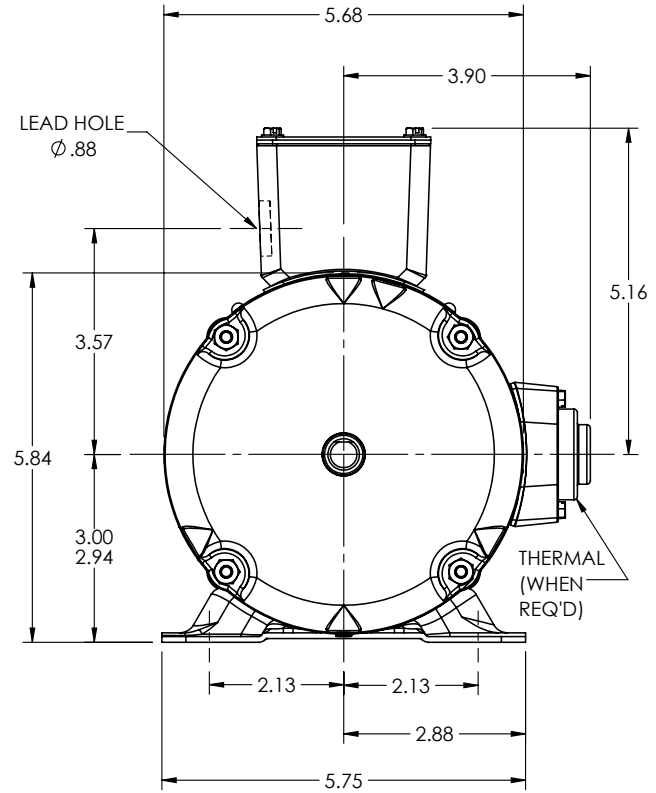
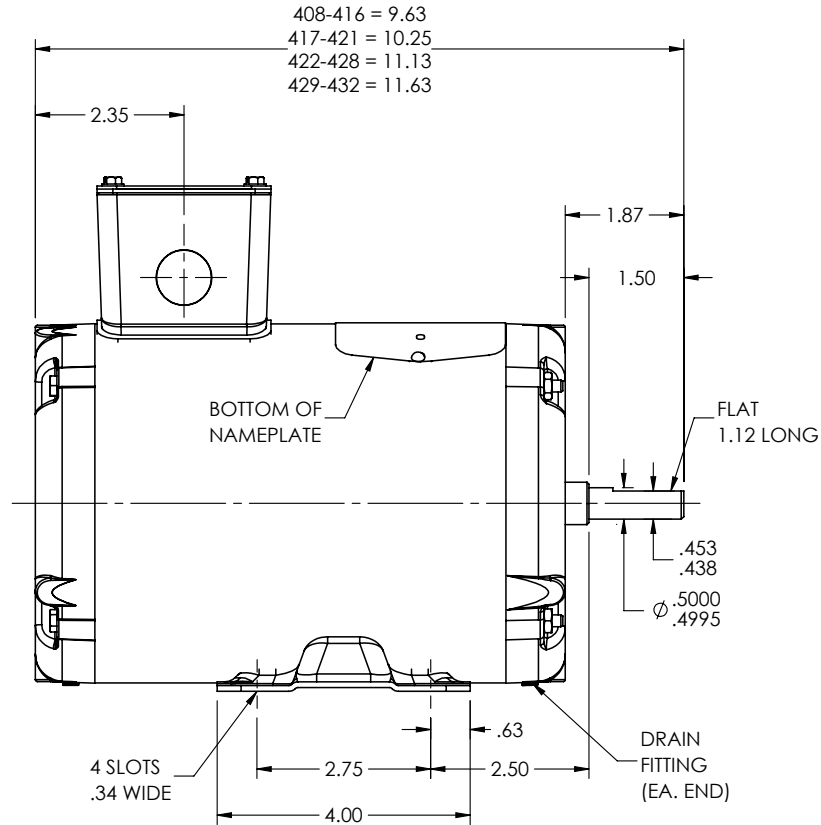
Typical performance - not guaranteed values.

TORQUES (LB-FT): PO=5.8 PU=4.3 LR=4.6 LRA=3.7



7/8/2026 ACPERF, record # 100831

34LYT125



CUSTOMER IS RESPONSIBLE FOR DETERMINING THAT THE PRODUCT WILL PERFORM SUITABLY IN THE INTENDED APPLICATION

REV. DESC: NEW			
REV: -	VERSION: 00	REVISED: 01:09:00 08/25/2023	TDR: 000001213521
MODEL NO. 34LYT125		REF: -	
BY: USALMAZ			

BALDOR - RELIANCE®

HORZ 34M NEMA 48 TENV F3 W/DRAIN FITTING, IP54

34LYT125

CD0005



LOW VOLTAGE
(2Y)



LINE

HIGH VOLTAGE
(1Y)



LINE

NOTES:

1. INTERCHANGE ANY TWO LINE LEADS TO REVERSE ROTATION.
2. OPTIONAL THERMOSTATS ARE PROVIDED WHEN SPECIFIED.
3. ACTUAL NUMBER OF INTERNAL PARALLEL CIRCUITS MAY BE A MULTIPLE OF THOSE SHOWN ABOVE.
4. LEAD COLORS ARE OPTIONAL. LEADS MUST ALWAYS BE NUMBERED AS SHOWN.

CD0005

REV. DESC: REVISE TO SHOW OPTIONAL COLORS

REV. LTR: E BY: JLP REVISED: 01/19/99 10:15 TDR: 0171435

500000

FILE: AAA00005140

MDL: -

MTL: -

BALDOR ELECTRIC Co.

3PH, DV, 9 LEADS