

ABB BALDOR RELIANCE III

Customer information packet

SPNM3454

.25HP, 1735RPM, 3PH, 60HZ, 48, 3416M, TENV, F1

Class - None

Division - Not Applicable

Specifications

Enclosure	TENV
Frame	48
Frame Material	Steel
Frequency	60.00 Hz
Haz Area Class and Group	None
Haz Area Division	Not Applicable
Motor Letter Type	Three Phase
Output @ Frequency	.250 HP @ 60 HZ
Phase	3
Synchronous Speed @ Frequency	1800 RPM @ 60 HZ
Voltage @ Frequency	230.0 V @ 60 HZ 460.0 V @ 60 HZ
Agency Approvals	C UR US WEEE
Ambient Temperature	40 °C
Auxiliary Box	NO AUXILLARY BOX
Auxiliary Box Lead Termination	None
Base Indicator	Rigid
Bearing Grease Type	Polyrex EM (-20F +300F)
Blower	None
Current @ Voltage	.800 A @ 230.0 V .400 A @ 460.0 V
Design Code	B
Drip Cover	No Drip Cover
Duty Rating	CONT
Efficiency @ 100% Load	74.0 %
Electrically Isolated Bearing	Not Electrically Isolated
Feedback Device	NO FEEDBACK
Front Shaft Indicator	None
Heater Indicator	No Heater
High Voltage Full Load Amps	0.4 a
Insulation Class	F

Part Detail

Revision	B
Type	AC
Mech. spec.	34T124
Base	
Status	PRD/A
Elec. spec.	34WGR773
Layout	34LYT124
Eff. date	10-29-2024
CD Diagram	CD0005
Poles	04
Leads	9#18
Proprietary	False
Created date	09-13-2023

Inverter Code	Not Inverter
KVA Code	L
Lifting Lugs	No Lifting Lugs
Locked Bearing Indicator	No Locked Bearing
Motor Lead Quantity/Wire Size	9 @ 18 AWG
Motor Lead Termination	Flying Leads
Motor Standards	NEMA
Motor Type	3416M
Mounting Arrangement	F1
Number of Poles	4
Overall Length	9.63 IN
Power Factor	64
Product Family	General Purpose
Pulley End Bearing Type	Ball
Pulley Face Code	Standard
Pulley Shaft Indicator	Standard
Rodent Screen	None
Service Factor	1.35
Shaft Diameter	0.500 IN
Shaft Ground Indicator	No Shaft Grounding
Shaft Rotation	Reversible
Shaft Slinger Indicator	No Slinger
Speed	1735 rpm
Speed Code	Single Speed
Starting Method	Direct on line
Thermal Device - Bearing	None
Thermal Device - Winding	None
Vibration Sensor Indicator	No Vibration Sensor
Winding Thermal 1	None
Winding Thermal 2	None

Nameplate

NP4558A02LL									
CAT #	SPNM3454		WGT	24	LBS				
SER #			ENCL	TENV					
SPEC	34T124R773		CC			IP	54		
HP	.25					NEMA NOM. EFF	74		
VOLTS	230/460		PF	64					
AMPS	.8/.4								
RATING	40C AMB-CONT								
RPM	1735		PH	3	DES	B			
FRAME	48	HZ	60	CODE	L	CLASS	F		
SER.F.	1.35	SF AMP	1/.5						
DE	6203	ODE	6203						
GREASE	POLYREX EM								
YR			QR						

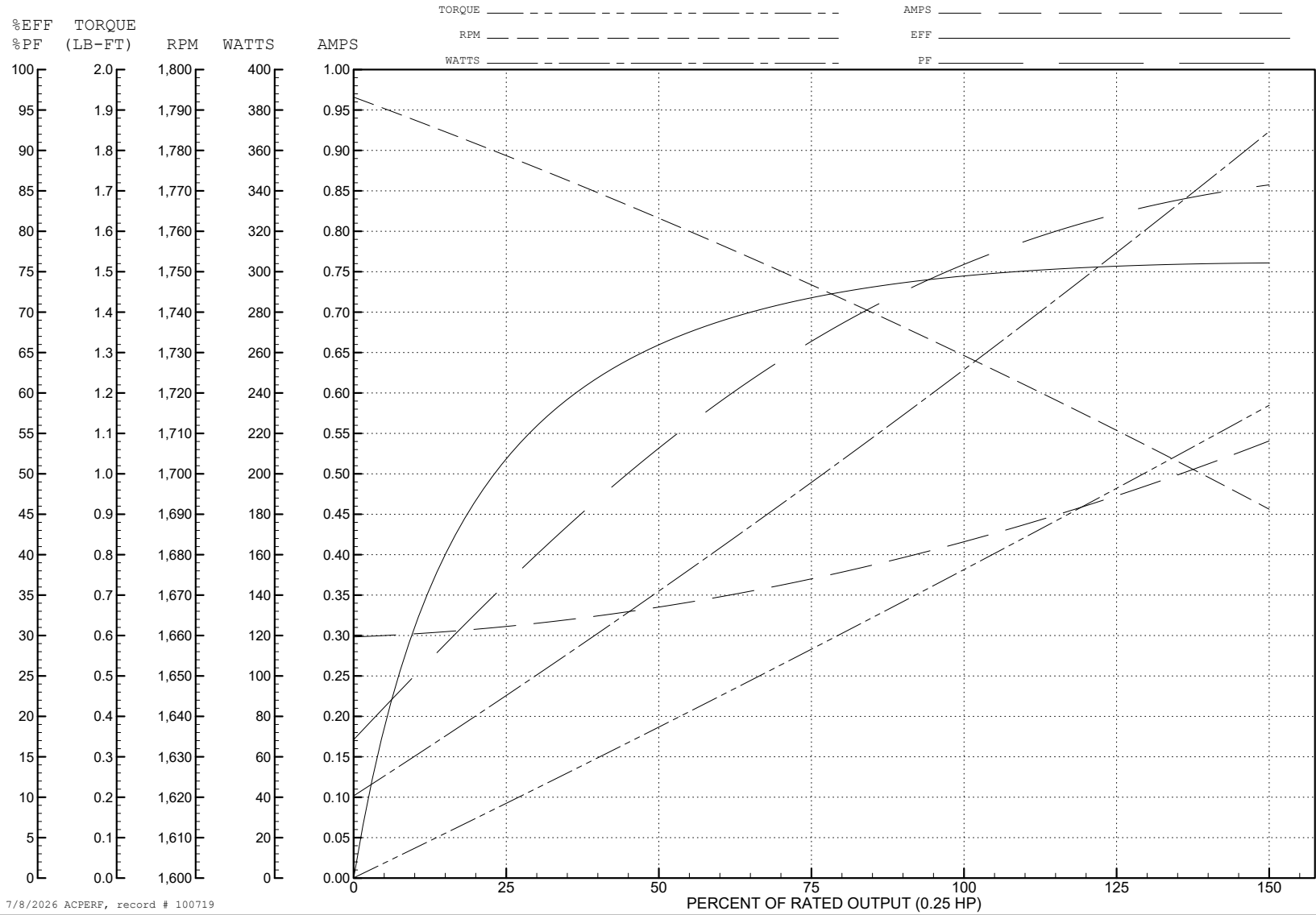
ABB Motors and Mechanical Inc.

WINDING # 34WGR773

0.25 HP 3 PH 60 HZ 1735 RPM 460 V 3416M

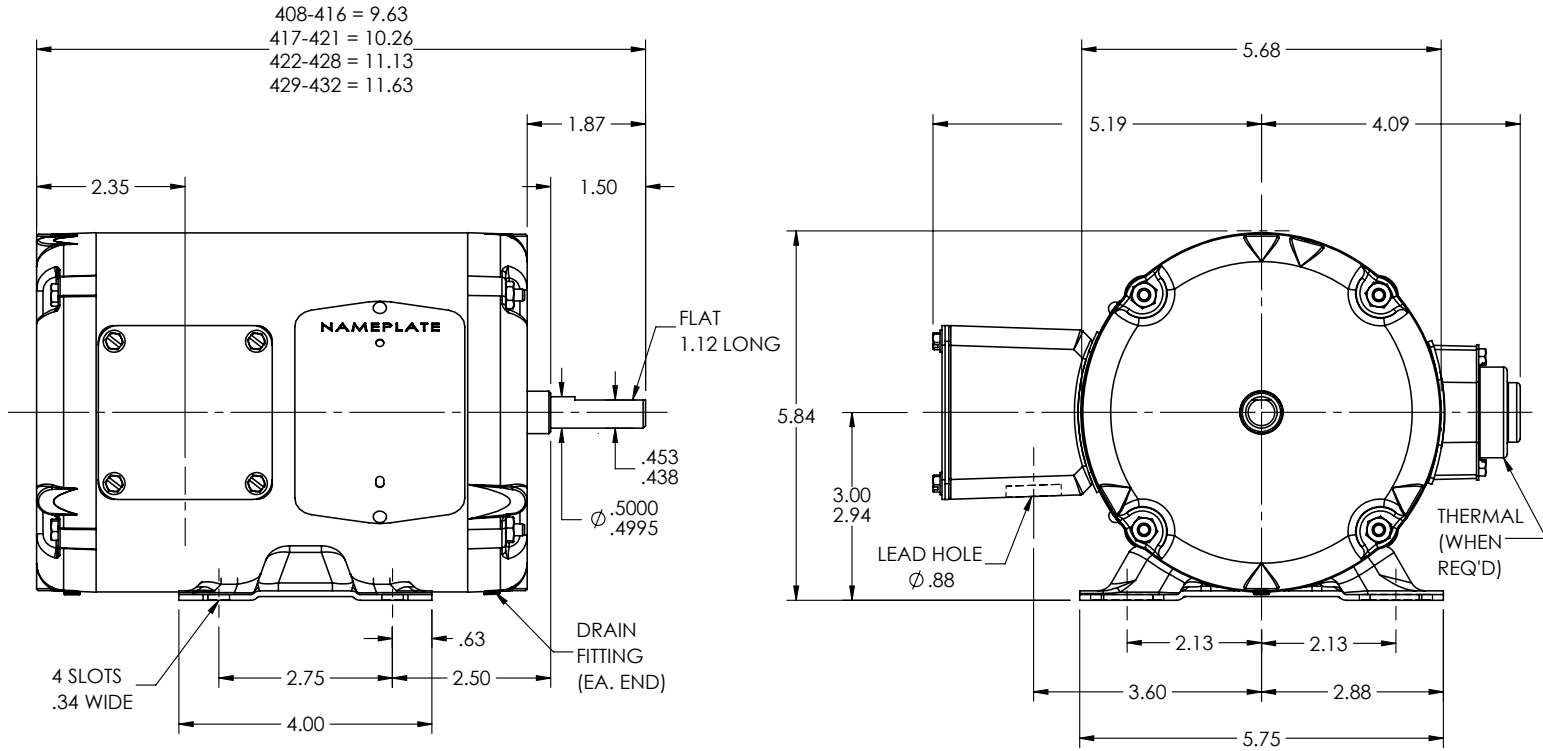
Typical performance - not guaranteed values.

TORQUES (LB-FT): PO=2.8 PU=1.6 LR=2.1 LRA=2.8



7/8/2026 ACPERF, record # 100719

34LYT124



CUSTOMER IS RESPONSIBLE FOR DETERMINING THAT THE PRODUCT WILL PERFORM SUITABLY IN THE INTENDED APPLICATION

REV. DESC: NEW			
REV: -	VERSION: 00	REVISED: 01:05:26 08/25/2023	TDR: 000001213521
34LYT124	MODEL NO. 34LYT124	REF: -	
	BY: USALMAZ		

BALDOR - RELIANCE®

STD HORZ MODEL 34M NEMA 48 TENV W/DRAIN FITTINGS, IP54

34LYT124

CD0005



LOW VOLTAGE
(2Y)



LINE

HIGH VOLTAGE
(1Y)



LINE

NOTES:

1. INTERCHANGE ANY TWO LINE LEADS TO REVERSE ROTATION.
2. OPTIONAL THERMOSTATS ARE PROVIDED WHEN SPECIFIED.
3. ACTUAL NUMBER OF INTERNAL PARALLEL CIRCUITS MAY BE A MULTIPLE OF THOSE SHOWN ABOVE.
4. LEAD COLORS ARE OPTIONAL. LEADS MUST ALWAYS BE NUMBERED AS SHOWN.

CD0005

REV. DESC: REVISE TO SHOW OPTIONAL COLORS

REV. LTR: E BY: JLP REVISED: 01/19/99 10:15 TDR: 0171435

500000

FILE: AAA00005140

MDL: -

MTL: -

BALDOR ELECTRIC Co.

3PH, DV, 9 LEADS