

BALDOR • RELIANCE

Customer information packet

SPM44302T-4

300HP, 3570RPM, 3PH, 60HZ, 449TS, A44128M, TEF

Class - CLI GP A,B,C,D; CLII GP F,G

Division - Division II

Specifications

Enclosure	TEFC
Frame	449TS
Frame Material	Iron
Frequency	60.00 Hz
Haz Area Class and Group	CLI GP A,B,C,D; CLII GP F,G
Haz Area Division	Division II
Motor Letter Type	Three Phase
Output @ Frequency	300.000 HP @ 60 HZ
Phase	3
Synchronous Speed @ Frequency	3600 RPM @ 60 HZ
Voltage @ Frequency	460.0 V @ 60 HZ
Agency Approvals	CCSAUSEEV CURUSEEV NEMA PREMIUM NEMA_PREMIUM
Ambient Temperature	40 °C
Auxillary Box	No Auxillary Box
Base Indicator	Rigid
Bearing Grease Type	Polyrex EM (-20F +300F)
Current @ Voltage	318.000 A @ 460.0 V
Design Code	B
Duty Rating	CONT
Efficiency @ 100% Load	96.2 %
Feedback Device	NO FEEDBACK
Heater Indicator	No Heater
High Voltage Full Load Amps	318.0 a
Insulation Class	F
Inverter Code	Inverter Duty
KVA Code	G
Lifting Lugs	Standard Lifting Lugs
Max Speed	4500 rpm
Motor Lead Quantity/Wire Size	6 @ 2/0 AWG

Part detail

Revision	E
Type	AC
Mech. spec.	
Base	
Status	INA/A
Elec. spec.	A44WG1242
Layout	617439-177
Eff. date	01-22-2025
CD Diagram	416820-036
Poles	02
Leads	3#2/0 (02 per group)
Proprietary	False
Created date	10-11-2023

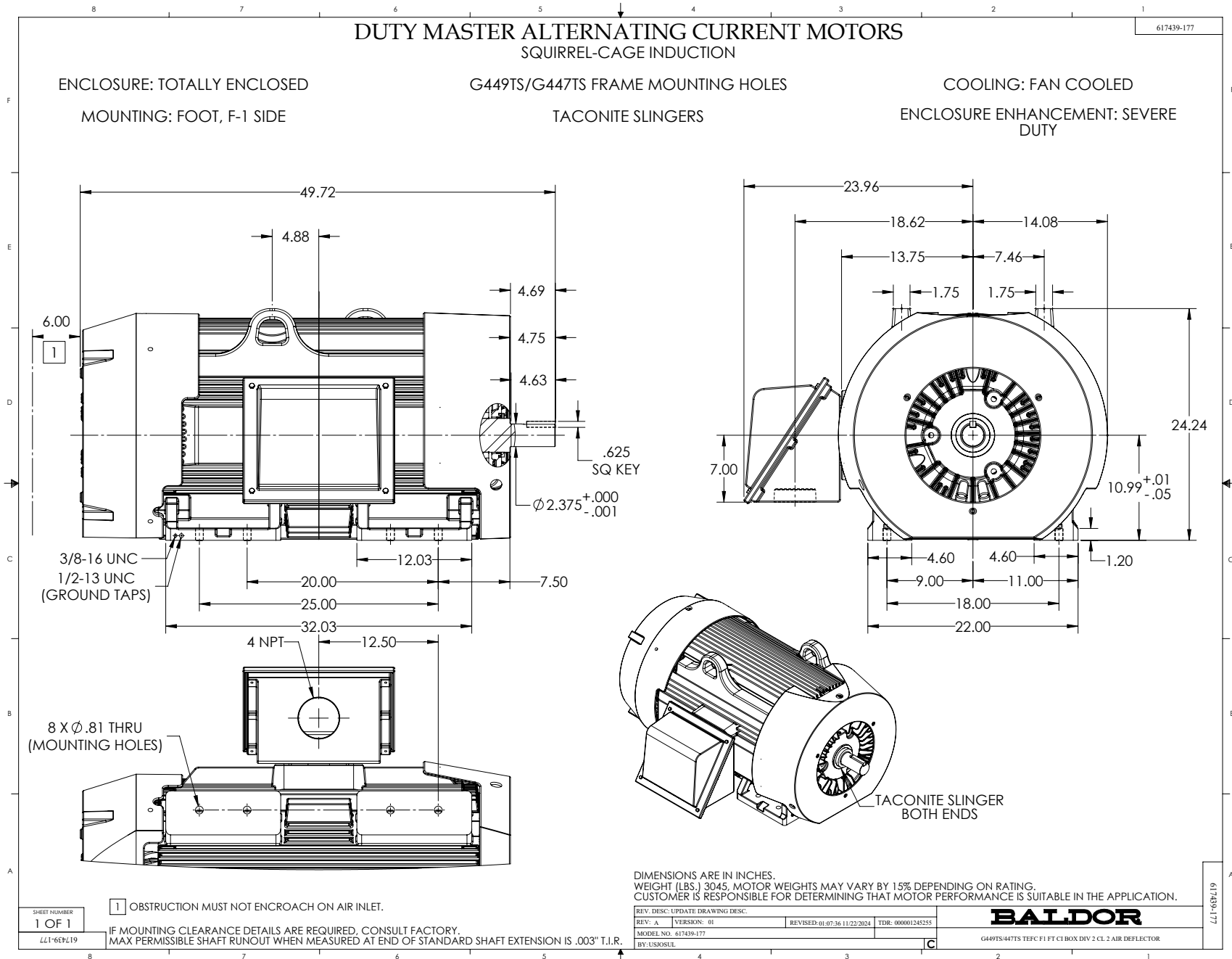
Motor Standards	NEMA
Motor Type	A44128M
Mounting Arrangement	F1
Number of Poles	2
Overall Length	49.72 IN
Power Factor	91
Product Family	General Industrial
Pulley End Bearing Type	Ball
Pulley Face Code	Standard
Service Factor	1.15
Shaft Diameter	2.375 IN
Shaft Ground Indicator	No Shaft Grounding
Shaft Rotation	Reversible
Shaft Slinger Indicator	Shaft Slinger
Speed	3570 rpm
Speed Code	Single Speed
Starting Method	Direct on line
Thermal Device - Bearing	None
Thermal Device - Winding	None

Nameplate

NP2496L
MOBIL POLYREX EM

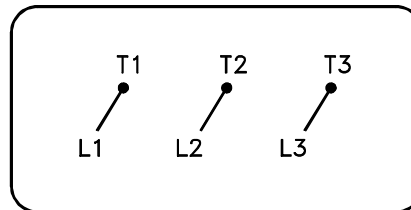
NP4562L

CAT NO	SPM44302T-4	SPEC NO.	A44-5011-1242		I.P.	55								
HP	300	AMPS	318	VOLTS	460	DESIGN	B							
FRAME SIZE	449TS	RPM	3570	MAX RPM	4200	HZ	60	AMB	40	°C				
D.E. BRG.	65BC03J30X	PH.3	3	DUTY	CONT	INSUL.CLASS	F							
O.D.E. BRG.	65BC03J30X	TYPE P	P	ENCL	TEFC	SF	1.15	CODE	G					
POWER FACTOR	91	MAX CORR KVAR	30	NEMA NOM EFFICIENCY	96.2		MOTOR WEIGHT		LBS					
CL.I,DIV 2,GRP:	A,B,C,D	T.CODE	T2A	CL.1,ZONE 2,GRP:	IIA,IIB,IIC		T=	280	°C	INVERTER T.CODE	T2A			
CL.II,DIV 2,GRP:	F,G	T.CODE	T3C	CL II ZONE 22 GRPS IIIB	T=		160	°C	INVERTER T.CODE	T3				
ID LOGO	INV TYPE:	VPWM	CT	30	TO	60	VT	3	TO	60	CHP	60	TO	75
ID LOGO	1.0 SF VPWM	WK2	39.48	LBFT2	SL HZ	0.5	MAG CUR	59.6						
SER.NO.		MEETS INTENT OF IEEE-45					FOR WEATHER PROTECTION							



416820-036

A-C MOTOR
CONNECTION DIAGRAM
STANDARD 3 LEAD CONNECTED



(N.P. 1575-BA)

416820-036

REV. DESC: LOADED TO BUS, C/R 335225		
REV. LTR: -	VERSION: 00	TDR: 000000538207
FILE: \MGA\00000\682	REVISED: 11:54:06 04/30/2010	
MTL: -	BY: RAGRA	

BALDOR

CONN DIAG - STANDARD 3 LEAD
SH 1 of 1