



Customer information packet

SPM44252T-4

250HP, 3570RPM, 3PH, 60HZ, 449TS, A44128M, TEF
Class - CLI GP A,B,C,D; CLII GP F,G
Division - Division II

Specifications

| | |
|-------------------------------|---|
| Enclosure | TEFC |
| Frame | 449TS |
| Frame Material | Iron |
| Frequency | 60.00 Hz |
| Haz Area Class and Group | CLI GP A,B,C,D; CLII GP F,G |
| Haz Area Division | Division II |
| Motor Letter Type | Three Phase |
| Output @ Frequency | 250.000 HP @ 60 HZ |
| Phase | 3 |
| Synchronous Speed @ Frequency | 3600 RPM @ 60 HZ |
| Voltage @ Frequency | 460.0 V @ 60 HZ |
| Agency Approvals | CCSAUSEEV CURUSEEV NEMA PREMIUM NEMA_PREMIUM |
| Ambient Temperature | 40 °C |
| Auxillary Box | No Auxillary Box |
| Base Indicator | Rigid |
| Bearing Grease Type | Polyrex EM (-20F +300F) |
| Current @ Voltage | 266.000 A @ 460.0 V |
| Design Code | B |
| Duty Rating | CONT |
| Efficiency @ 100% Load | 96.2 % |
| Feedback Device | NO FEEDBACK |
| Heater Indicator | No Heater |
| High Voltage Full Load Amps | 266.0 a |
| Insulation Class | F |
| Inverter Code | Inverter Duty |
| KVA Code | G |
| Lifting Lugs | Standard Lifting Lugs |
| Max Speed | 4500 rpm |
| Motor Lead Quantity/Wire Size | 6 @ 2/0 AWG |

Part detail

| | |
|--------------|----------------------|
| Revision | E |
| Type | AC |
| Mech. spec. | |
| Base | |
| Status | PRD/A |
| Elec. spec. | A44WG1505 |
| Layout | 617439-177 |
| Eff. date | 11-13-2024 |
| CD Diagram | 416820-036 |
| Poles | 02 |
| Leads | 3#2/0 (02 per group) |
| Proprietary | False |
| Created date | 10-11-2023 |

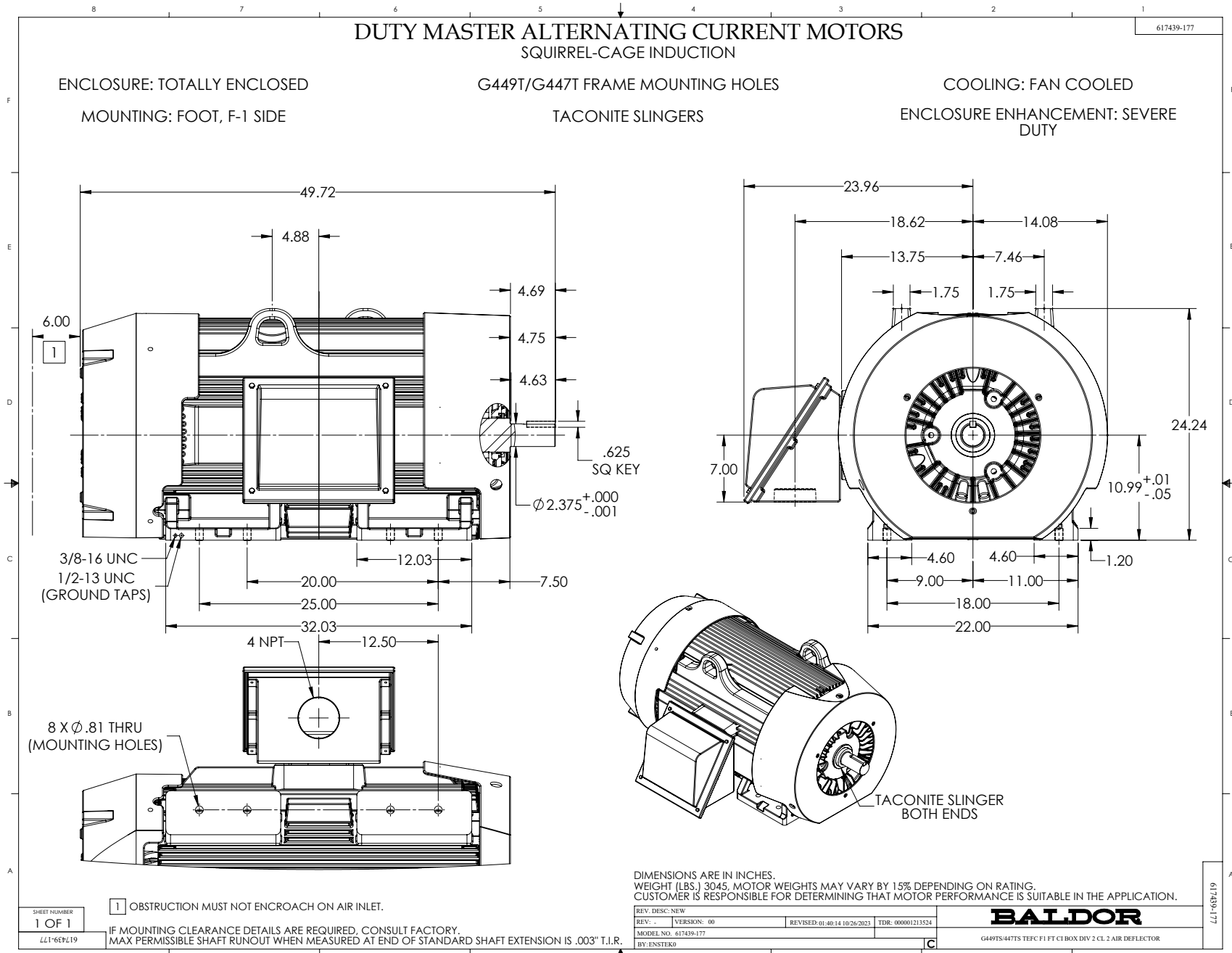
| | |
|---------------------------------|--------------------|
| Motor Standards | NEMA |
| Motor Type | A44128M |
| Mounting Arrangement | F1 |
| Number of Poles | 2 |
| Overall Length | 49.72 IN |
| Power Factor | 91 |
| Product Family | General Industrial |
| Pulley End Bearing Type | Ball |
| Pulley Face Code | Standard |
| Service Factor | 1.15 |
| Shaft Diameter | 2.375 IN |
| Shaft Ground Indicator | No Shaft Grounding |
| Shaft Rotation | Reversible |
| Shaft Slinger Indicator | Shaft Slinger |
| Speed | 3570 rpm |
| Speed Code | Single Speed |
| Starting Method | Direct on line |
| Thermal Device - Bearing | None |
| Thermal Device - Winding | None |

Nameplate

| |
|------------------|
| NP2496L |
| MOBIL POLYREX EM |

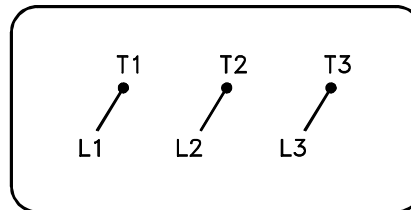
NP4562L

| | | | | | | | |
|-------------------------|------------------|--------------------------------|---------------|--------------------------------|-------------------------------|---------------------|------------------------|
| CAT NO | SPM44252T-4 | SPEC NO. | A44-5011-1505 | | I.P. | 55 | |
| HP | 250 | AMPS | 266 | VOLTS | 460 | DESIGN | B |
| FRAME SIZE | 449TS | RPM | 3570 | MAX RPM | 4500 | HZ | 60 |
| D.E. BRG. | 65BC03J30X | PH.3 | 3 | DUTY | CONT | INSUL.CLASS | F |
| O.D.E. BRG. | 65BC03J30X | TYPE P | P | ENCL | TEFC | SF | 1.15 |
| POWER FACTOR | 91 | MAX CORR KVAR | 23 | NEMA NOM EFFICIENCY | 96.2 | MOTOR WEIGHT | LBS |
| CL.I,DIV 2,GRP: | A,B,C,D | T.CODE | T3C | CL.1,ZONE 2,GRP: | IIA,IIIB,IIC | T= | 160 °C |
| CL.II,DIV 2,GRP: | F,G | T.CODE | T3C | CL II ZONE 22 GRPS IIIB | T= | 160 °C | INVERTER T.CODE |
| ID LOGO | INV TYPE: | VPWM | CT 30 | TO 60 | VT 3 | TO 60 | CHP 60 |
| ID LOGO | 1.0 SF VPWM | WK2 | | LBFT2 | SL HZ 0.5 | MAG CUR | 58 |
| SER.NO. | | MEETS INTENT OF IEEE-45 | | | FOR WEATHER PROTECTION | | |



416820-036

A-C MOTOR
CONNECTION DIAGRAM
STANDARD 3 LEAD CONNECTED



(N.P. 1575-BA)

416820-036

| | | |
|--------------------------------------|------------------------------|-------------------|
| REV. DESC: LOADED TO BUS, C/R 335225 | | |
| REV. LTR: - | VERSION: 00 | TDR: 000000538207 |
| FILE: \MGA\00000\682 | REVISED: 11:54:06 04/30/2010 | |
| MTL: - | BY: RAGRA | |

BALDOR

CONN DIAG - STANDARD 3 LEAD
SH 1 of 1