



---

# Customer information packet

## SPM4407TR-4

200HP, 1790RPM, 3PH, 60HZ, 447T, A44124M, TEFC

Class - CLI GP A,B,C,D; CLII GP F,G

Division - Division II

## Specifications

Enclosure	TEFC
Frame	447T
Frame Material	Iron
Frequency	60.00 Hz
Haz Area Class and Group	CLI GP A,B,C,D; CLII GP F,G
Haz Area Division	Division II
Motor Letter Type	Three Phase
Output @ Frequency	200.000 HP @ 60 HZ
Phase	3
Synchronous Speed @ Frequency	1800 RPM @ 60 HZ
Voltage @ Frequency	460.0 V @ 60 HZ
Agency Approvals	NEMA PREMIUM CURUSEEV CCSAUSEEV
Ambient Temperature	40 °C
Auxillary Box	No Auxillary Box
Base Indicator	Rigid
Bearing Grease Type	Mobil SHC 220 (Athens Only)
Current @ Voltage	224.000 A @ 460.0 V
Design Code	A
Drip Cover	No Drip Cover
Duty Rating	CONT
Efficiency @ 100% Load	96.5 %
Feedback Device	NO FEEDBACK
Heater Indicator	No Heater
High Voltage Full Load Amps	224.0 a
Insulation Class	H
Inverter Code	Inverter Duty
KVA Code	H
Lifting Lugs	Standard Lifting Lugs
Max Speed	2700 rpm
Motor Lead Quantity/Wire Size	6 @ 2/0 AWG

## Part detail

Revision	C
Type	AC
Mech. spec.	
Base	
Status	PRD/A
Elec. spec.	A44WG6734
Layout	617435-192
Eff. date	12-26-2024
CD Diagram	416820-036
Poles	04
Leads	3#2/0 (02 per group) Y
Proprietary	False
Created date	10-09-2023

<b>Motor Standards</b>	NEMA
<b>Motor Type</b>	A44124M
<b>Mounting Arrangement</b>	F1
<b>Number of Poles</b>	4
<b>Overall Length</b>	53.47 IN
<b>Power Factor</b>	87
<b>Product Family</b>	General Industrial
<b>Pulley End Bearing Type</b>	Roller
<b>Service Factor</b>	1.15
<b>Shaft Diameter</b>	3.375 IN
<b>Shaft Ground Indicator</b>	No Shaft Grounding
<b>Shaft Rotation</b>	Reversible
<b>Shaft Slinger Indicator</b>	Shaft Slinger
<b>Speed</b>	1790 rpm
<b>Speed Code</b>	Single Speed
<b>Starting Method</b>	Direct on line
<b>Thermal Device - Winding</b>	None

**Nameplate**

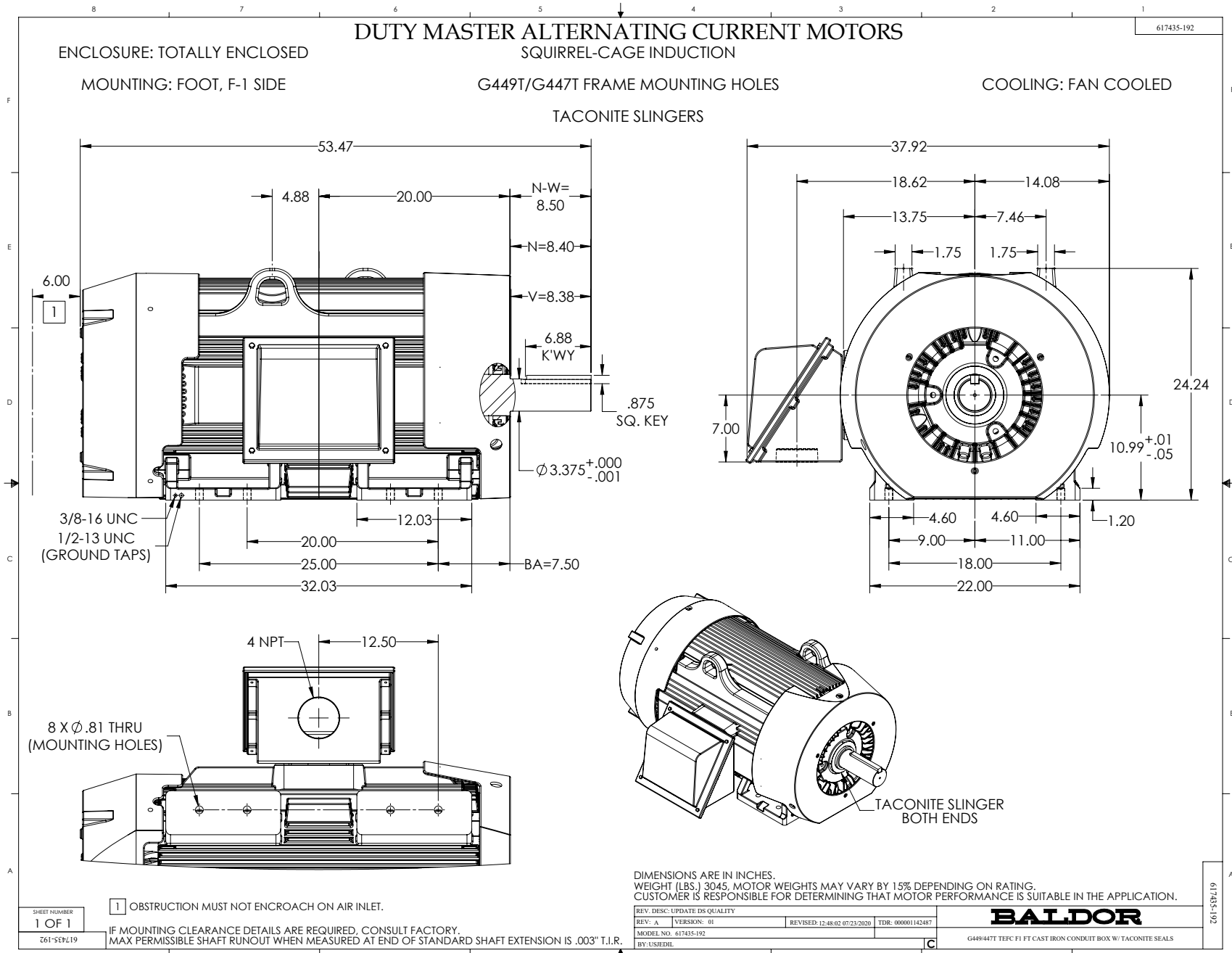
---

<b>NP2496L</b>
MOBIL SHC -220 GREASE

---

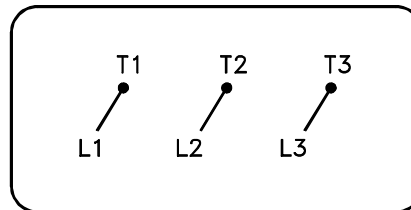
**NP4562L**

<b>CAT NO</b>	SPM4407TR-4	<b>SPEC NO.</b>	A44-5011-6734		<b>I.P.</b>	55	
<b>HP</b>	200	<b>AMPS</b>	227		<b>VOLTS</b>	460	
<b>FRAME SIZE</b>	449T	<b>RPM</b>	1790		<b>MAX RPM</b>	2700	<b>HZ</b> 60
<b>D.E. BRG.</b>	110RU02M30X		<b>PH.3</b>	3	<b>DUTY</b>	CONT	
<b>O.D.E. BRG.</b>	90BC03J30X		<b>TYPE P</b>	P	<b>ENCL</b>	TEFC	<b>SF</b> 1.15
<b>POWER FACTOR</b>	85	<b>MAX CORR KVAR</b>	43		<b>NEMA NOM EFFICIENCY</b>	96.5	
<b>CL.I,DIV 2,GRP:</b>	A,B,C,D	<b>T.CODE</b>	T3		<b>CL.1,ZONE 2,GRP:</b>	<b>IIA,IIB,IIC</b>	<b>T=</b> 200 °C
<b>CL.II,DIV 2,GRP:</b>	F,G	<b>T.CODE</b>	T3C		<b>CL II ZONE 22 GRPS IIIB</b>	<b>T=</b> 160 °C	<b>INVERTER T.CODE</b> T3C
<b>ID LOGO</b>	<b>INV TYPE:</b>	<b>VPWM</b>	<b>CT</b> 30	<b>TO</b> 60	<b>VT</b> 3	<b>TO</b> 60	<b>CHP</b> 60 <b>TO</b> 90
<b>ID LOGO</b>	1.0 SF VPWM	<b>WK2</b>	81.8	<b>LBFT2</b>	<b>SL HZ</b>	0.37	<b>MAG CUR</b> 74.5
<b>SER.NO.</b>		<b>MEETS INTENT OF IEEE-45</b>			<b>FOR WEATHER PROTECTION</b>		



416820-036

A-C MOTOR  
CONNECTION DIAGRAM  
STANDARD 3 LEAD CONNECTED



(N.P. 1575-BA)

416820-036

REV. DESC: LOADED TO BUS, C/R 335225		
REV. LTR: -	VERSION: 00	TDR: 000000538207
FILE: \MGA\00000\682	REVISED: 11:54:06 04/30/2010	
MTL: -	BY: RAGRA	

**BALDOR**

CONN DIAG - STANDARD 3 LEAD  
SH 1 of 1