



Customer information packet

SPM4404T

75HP, 1190RPM, 3PH, 60HZ, 405T, A4072M, TEFC, F
Class - CLI GP A,B,C,D; CLII GP F,G
Division - Division II

Specifications

Enclosure	TEFC
Frame	405T
Frame Material	Iron
Frequency	60.00 Hz
Haz Area Class and Group	CLI GP A,B,C,D; CLII GP F,G
Haz Area Division	Division II
Motor Letter Type	Three Phase
Output @ Frequency	75.000 HP @ 60 HZ
Phase	3
Synchronous Speed @ Frequency	1200 RPM @ 60 HZ
Voltage @ Frequency	460.0 V @ 60 HZ
Agency Approvals	CCSAUSEEV CURUSEEV NEMA PREMIUM NEMA_PREMIUM
Ambient Temperature	40 °C
Auxillary Box	No Auxillary Box
Base Indicator	Rigid
Bearing Grease Type	Polyrex EM (-20F +300F)
Current @ Voltage	90.800 A @ 460.0 V
Design Code	B
Drip Cover	No Drip Cover
Duty Rating	CONT
Efficiency @ 100% Load	95.4 %
Feedback Device	NO FEEDBACK
Heater Indicator	No Heater
High Voltage Full Load Amps	90.8 a
Insulation Class	F
Inverter Code	Inverter Duty
KVA Code	H
Lifting Lugs	Standard Lifting Lugs
Max Speed	1800 rpm

Part detail

Revision	D
Type	AC
Mech. spec.	
Base	
Status	PRD/A
Elec. spec.	A40WG5794
Layout	617437-217
Eff. date	12-06-2024
CD Diagram	416820-036
Poles	06
Leads	3#2
Proprietary	False
Created date	09-27-2023

Motor Lead Quantity/Wire Size	3 @ 2 AWG
Motor Standards	NEMA
Motor Type	A4072M
Mounting Arrangement	F1
Number of Poles	6
Overall Length	38.19 IN
Power Factor	82
Product Family	General Industrial
Pulley End Bearing Type	Ball
Pulley Face Code	Standard
Service Factor	1.15
Shaft Diameter	2.875 IN
Shaft Ground Indicator	No Shaft Grounding
Shaft Rotation	Reversible
Shaft Slinger Indicator	Shaft Slinger
Speed	1190 rpm
Speed Code	Single Speed
Starting Method	Direct on line
Thermal Device - Bearing	None
Thermal Device - Winding	None

Nameplate

NP2496L
MOBIL POLYREX EM

NP4562L

CAT NO	SPM4404T	SPEC NO.	A40-5001-5794		I.P.	55				
HP	75	AMPS	90.8	VOLTS	460	DESIGN	A			
FRAME SIZE	405T	RPM	1190	MAX RPM	1800	HZ	60	AMB	40	°C
D.E. BRG.	80BC03J30X	PH.3	3	DUTY	CONT	INSUL.CLASS	F			
O.D.E. BRG.	80BC03J30X	TYPE P	P	ENCL	TEFC	SF	1.15	CODE	H	
POWER FACTOR	82	MAX CORR KVAR	21.72	NEMA NOM EFFICIENCY	95.4	MOTOR WEIGHT		LBS		
CL.I,DIV 2,GRP:	A,B,C,D	T.CODE	T3B	CL.1,ZONE 2,GRP:	IIA,IIIB,IIC	T=	165	°C	INVERTER T.CODE	T3
CL.II,DIV 2,GRP:	F,G	T.CODE	T3C	CL II ZONE 22 GRPS IIIB	T=	160	°C	INVERTER T.CODE	T3	
ID LOGO	INV TYPE:	VPWM	CT 15	TO 60	VT 3	TO 60	CHP 60	TO 90		
ID LOGO	1.0 SF VPWM	WK2	41.5	LBFT2	SL HZ	0.5	MAG CUR	31.5		
SER.NO.		MEETS INTENT OF IEEE-45				FOR WEATHER PROTECTION				

617437-217

DUTY MASTER ALTERNATING CURRENT MOTORS

SQUIRREL-CAGE INDUCTION

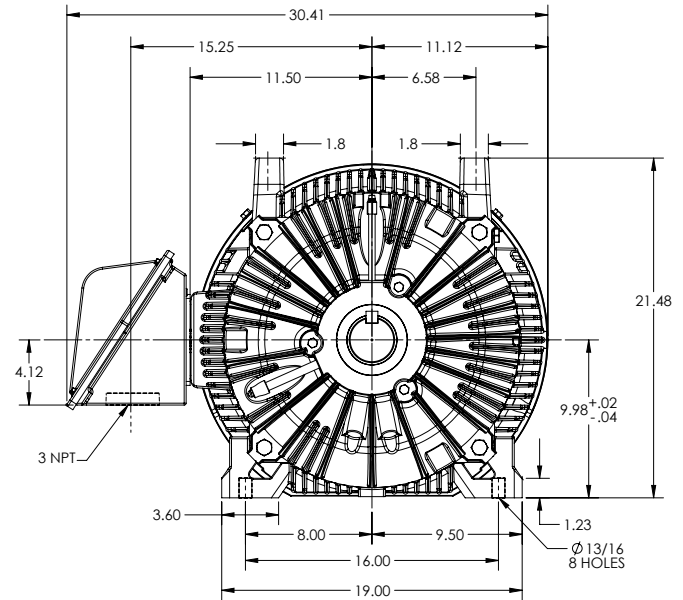
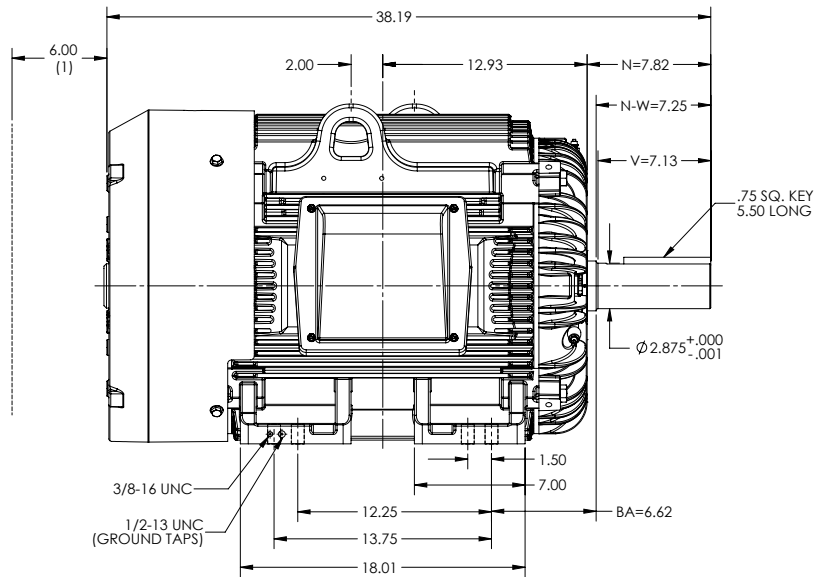
ENCLOSURE: TOTALLY ENCLOSED

MOUNTING: FOOT, F1

FRAME G405T/G404T FRAME MOUNTING HOLES
 STD CAST IRON C/BOX
 XP BRATHER DRAIN
 TACONITE SLINGERS

COOLING: FAN COOLED

ECP SEVERE DUTY



1. OBSTRUCTION MUST NOT ENCROACH ON AIR INLET

IF MOUNTING CLEARANCE DETAILS ARE REQUIRED, CONSULT FACTORY.
 MAXIMUM PERMISSIBLE SHAFT RUNOUT WHEN MEASURED AT END OF
 STANDARD SHAFT EXTENSION IS .003" T.I.R.

DIMENSIONS ARE IN INCHES; SEE SHEET 2 FOR DIMENSIONS IN MILLIMETERS
 MOTOR WEIGHT 1375 LBS. MAY VARY BY 15% DEPENDING ON RATING
 CUSTOMER IS RESPONSIBLE FOR DETERMINING THAT MOTOR PERFORMANCE IS SUITABLE IN THE APPLICATION.

SHEET NUMBER
1 OF 2

LTC-174219

REV. DESC: NEW	VERSION: 00	REVISED: 03-27-57 11/07/2023	TDR: 000001213524
MODEL NO. 617437-217	REF:		
BY: ENFRAM	Material:		

BALDOR

HORZ G405T/404T TEFC ECP DIV.2, CL.2

617437-217

617437-217

DUTY MASTER ALTERNATING CURRENT MOTORS

SQUIRREL-CAGE INDUCTION

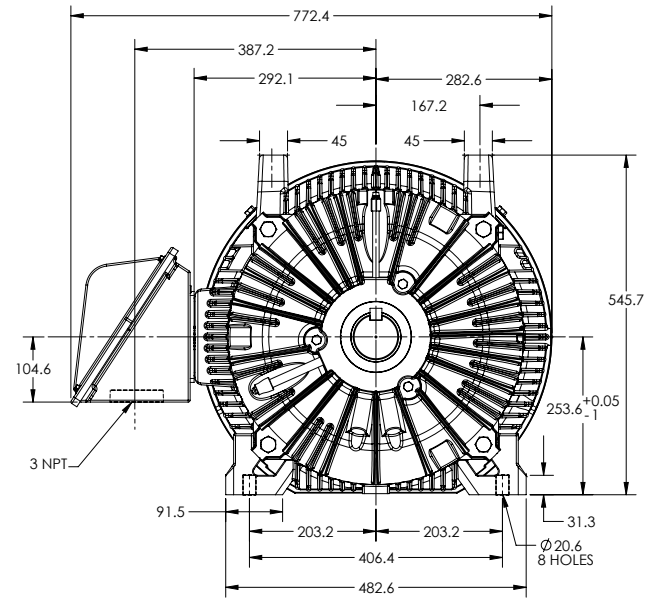
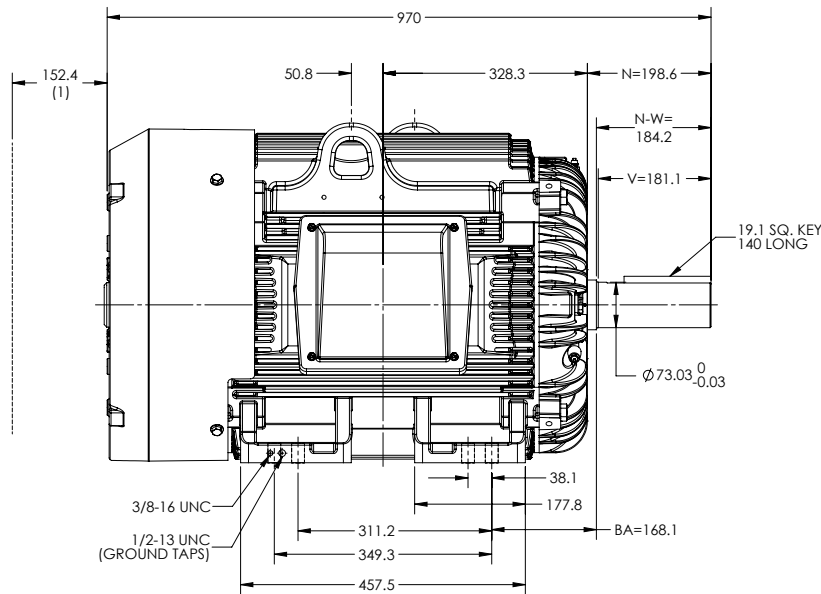
ENCLOSURE: TOTALLY ENCLOSED

MOUNTING: FOOT

FRAME G405T/G404T FRAME MOUNTING HOLES
 STD CAST IRON C/BOX
 XP BRATHER DRAIN
 TACONITE SLINGERS

COOLING: FAN COOLED

ECP SEVERE DUTY



1. OBSTRUCTION MUST NOT ENCROACH ON AIR INLET

IF MOUNTING CLEARANCE DETAILS ARE REQUIRED, CONSULT FACTORY.
 MAXIMUM PERMISSIBLE SHAFT RUNOUT WHEN MEASURED AT END OF
 STANDARD SHAFT EXTENSION IS .08 MM T.I.R.

DIMENSIONS ARE IN MILLIMETERS; SEE SHEET 1 FOR DIMENSIONS IN INCHES
 MOTOR WEIGHT 624 KGS, MAY VARY BY 15% DEPENDING ON RATING

CUSTOMER IS RESPONSIBLE FOR DETERMINING THAT MOTOR PERFORMANCE IS SUITABLE IN THE APPLICATION.

SHEET NUMBER
2 OF 2

LTC-174219

REV. DESC: NEW	VERSION: 00	REVISED: 03-27-57 11/07/2023	TDR: 000001213524
MODEL NO. 617437-217	REF:		
BY: ENFRAM	Material:		

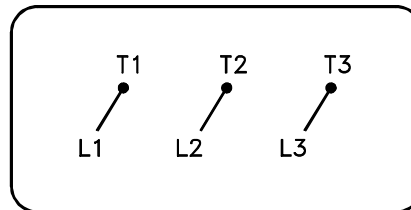
BALDOR

HORZ G405T/404T TEFC ECP DIV.2, CL.2

617437-217

416820-036

A-C MOTOR
CONNECTION DIAGRAM
STANDARD 3 LEAD CONNECTED



(N.P. 1575-BA)

416820-036

REV. DESC: LOADED TO BUS, C/R 335225		
REV. LTR: -	VERSION: 00	TDR: 000000538207
FILE: \MGA\00000\682	REVISED: 11:54:06 04/30/2010	
MTL: -	BY: RAGRA	

BALDOR

CONN DIAG - STANDARD 3 LEAD
SH 1 of 1