

**BALDOR • RELIANCE**

---

# Customer information packet

## SPM4403T-4

60HP, 1190RPM, 3PH, 60HZ, 404T, A4072M, TEFC, F

Class - CLI GP A,B,C,D; CLII GP F,G

Division - Division II

## Specifications

|                               |   |
|-------------------------------|---|
| Enclosure                     | TEFC  |
| Frame                         | 404T  |
| Frame Material                | Iron  |
| Frequency                     | 60.00 Hz  |
| Haz Area Class and Group      | CLI GP A,B,C,D; CLII GP F,G                           |
| Haz Area Division             | Division II   |
| Motor Letter Type             | Three Phase   |
| Output @ Frequency            | 60.000 HP @ 60 HZ                                     |
| Phase                         | 3   |
| Synchronous Speed @ Frequency | 1200 RPM @ 60 HZ                                      |
| Voltage @ Frequency           | 460.0 V @ 60 HZ                                       |
| Agency Approvals              | CCSAUSEEV<br>CURUSEEV<br>NEMA PREMIUM<br>NEMA_PREMIUM |
| Ambient Temperature           | 40 °C   |
| Auxillary Box                 | No Auxillary Box                                      |
| Base Indicator                | Rigid   |
| Bearing Grease Type           | Polyrex EM (-20F +300F)                               |
| Current @ Voltage             | 72.700 A @ 460.0 V                                    |
| Design Code                   | A   |
| Drip Cover                    | No Drip Cover   |
| Duty Rating                   | CONT  |
| Efficiency @ 100% Load        | 95.4 %  |
| Feedback Device               | NO FEEDBACK   |
| Heater Indicator              | No Heater   |
| High Voltage Full Load Amps   | 72.7 a  |
| Insulation Class              | F   |
| Inverter Code                 | Inverter Duty   |
| KVA Code                      | K   |
| Lifting Lugs                  | Standard Lifting Lugs                                 |
| Max Speed                     | 3000 rpm  |

## Part detail

|              |            |
|--------------|------------|
| Revision     | E          |
| Type         | AC         |
| Mech. spec.  |            |
| Base         |            |
| Status       | PRD/A      |
| Elec. spec.  | A40WG5801  |
| Layout       | 617437-217 |
| Eff. date    | 02-17-2025 |
| CD Diagram   | 416820-036 |
| Poles        | 06         |
| Leads        | 3#2        |
| Proprietary  | False      |
| Created date | 09-27-2023 |

|                                      |                    |
|--------------------------------------|--------------------|
| <b>Motor Lead Quantity/Wire Size</b> | 3 @ 2 AWG          |
| <b>Motor Standards</b>               | NEMA               |
| <b>Motor Type</b>                    | A4072M             |
| <b>Mounting Arrangement</b>          | F1                 |
| <b>Number of Poles</b>               | 6                  |
| <b>Overall Length</b>                | 38.19 IN           |
| <b>Power Factor</b>                  | 81                 |
| <b>Product Family</b>                | General Industrial |
| <b>Pulley End Bearing Type</b>       | Ball               |
| <b>Pulley Face Code</b>              | Standard           |
| <b>Service Factor</b>                | 1.15               |
| <b>Shaft Diameter</b>                | 2.875 IN           |
| <b>Shaft Ground Indicator</b>        | No Shaft Grounding |
| <b>Shaft Rotation</b>                | Reversible         |
| <b>Shaft Slinger Indicator</b>       | Shaft Slinger      |
| <b>Speed</b>                         | 1190 rpm           |
| <b>Speed Code</b>                    | Single Speed       |
| <b>Starting Method</b>               | Direct on line     |
| <b>Thermal Device - Bearing</b>      | None               |
| <b>Thermal Device - Winding</b>      | None               |

**Nameplate**

---

|                  |
|------------------|
| <b>NP2496L</b>   |
| MOBIL POLYREX EM |

---

**NP4562L**

|                         |                  |                                |               |                                |              |                               |                |                        |                        |          |            |    |           |    |
|-------------------------|------------------|--------------------------------|---------------|--------------------------------|--------------|-------------------------------|----------------|------------------------|------------------------|----------|------------|----|-----------|----|
| <b>CAT NO</b>           | SPM4403T-4       | <b>SPEC NO.</b>                | A40-5001-5801 |                                | <b>I.P.</b>  | 55                            |                |                        |                        |          |            |    |           |    |
| <b>HP</b>               | 60               | <b>AMPS</b>                    | 72.7          | <b>VOLTS</b>                   | 460          | <b>DESIGN</b>                 | A              |                        |                        |          |            |    |           |    |
| <b>FRAME SIZE</b>       | 404T             | <b>RPM</b>                     | 1190          | <b>MAX RPM</b>                 | 3000         | <b>HZ</b>                     | 60             | <b>AMB</b>             | 40                     | <b>C</b> |            |    |           |    |
| <b>D.E. BRG.</b>        | 80BC03J30X       | <b>PH.3</b>                    | 3             | <b>DUTY</b>                    | CONT         | <b>INSUL.CLASS</b>            | F              |                        |                        |          |            |    |           |    |
| <b>O.D.E. BRG.</b>      | 80BC03J30X       | <b>TYPE P</b>                  | P             | <b>ENCL</b>                    | TEFC         | <b>SF</b>                     | 1.15           | <b>CODE</b>            | K                      |          |            |    |           |    |
| <b>POWER FACTOR</b>     | 81               | <b>MAX CORR KVAR</b>           | 18            | <b>NEMA NOM EFFICIENCY</b>     | 95.4         | <b>MOTOR WEIGHT</b>           |                | <b>LBS</b>             |                        |          |            |    |           |    |
| <b>CL.I,DIV 2,GRP:</b>  | A,B,C,D          | <b>T.CODE</b>                  | T3C           | <b>CL.1,ZONE 2,GRP:</b>        | IIA,IIB,IIC  | <b>T=</b>                     | 160            | <b>C</b>               | <b>INVERTER T.CODE</b> | T3A      |            |    |           |    |
| <b>CL.II,DIV 2,GRP:</b> | F,G              | <b>T.CODE</b>                  | T3C           | <b>CL II ZONE 22 GRPS IIIB</b> | T=           | 160                           | <b>C</b>       | <b>INVERTER T.CODE</b> | T3C                    |          |            |    |           |    |
| <b>ID LOGO</b>          | <b>INV TYPE:</b> | <b>VPWM</b>                    | <b>CT</b>     | 15                             | <b>TO</b>    | 60                            | <b>VT</b>      | 3                      | <b>TO</b>              | 60       | <b>CHP</b> | 60 | <b>TO</b> | 90 |
| <b>ID LOGO</b>          | 1.0 SF VPWM      | <b>WK2</b>                     | 41.5          | <b>LBFT2</b>                   | <b>SL HZ</b> | 0.42                          | <b>MAG CUR</b> | 57.4/28.7              |                        |          |            |    |           |    |
| <b>SER.NO.</b>          |                  | <b>MEETS INTENT OF IEEE-45</b> |               |                                |              | <b>FOR WEATHER PROTECTION</b> |                |                        |                        |          |            |    |           |    |

617437-217

# DUTY MASTER ALTERNATING CURRENT MOTORS

SQUIRREL-CAGE INDUCTION

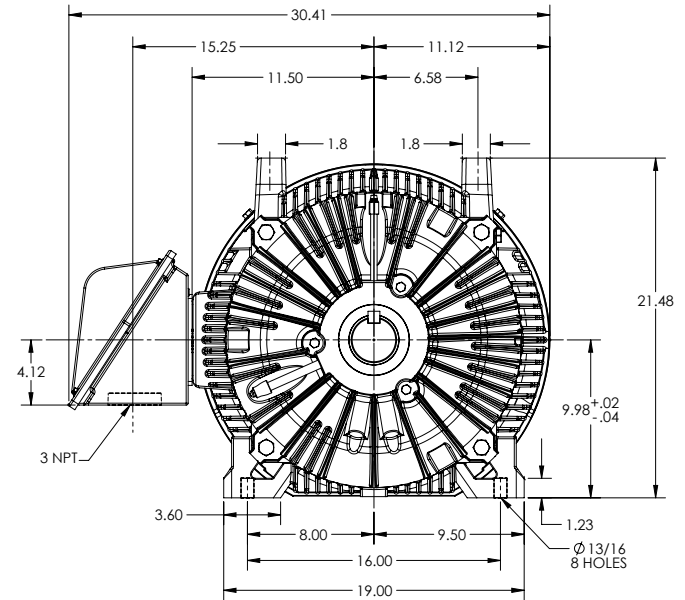
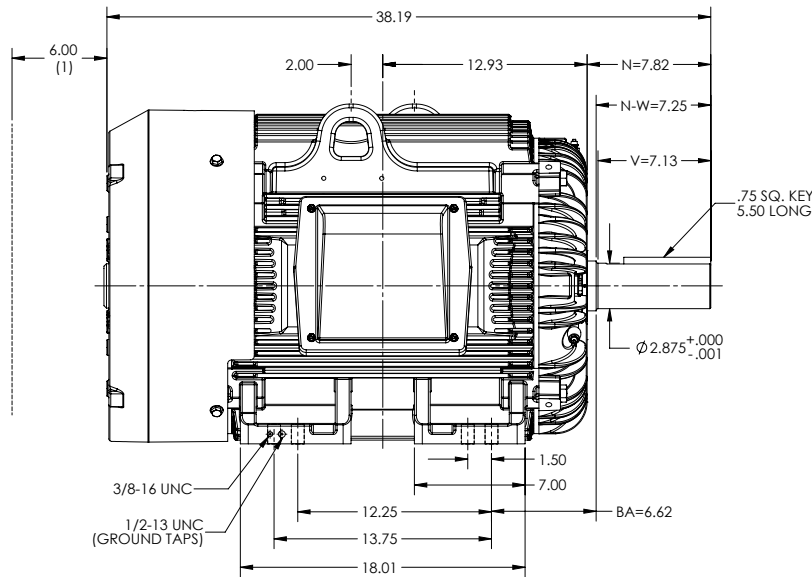
ENCLOSURE: TOTALLY ENCLOSED

MOUNTING: FOOT, F1

FRAME G405T/G404T FRAME MOUNTING HOLES  
 STD CAST IRON C/BOX  
 XP BRATHER DRAIN  
 TACONITE SLINGERS

COOLING: FAN COOLED

ECP SEVERE DUTY



1. OBSTRUCTION MUST NOT ENCROACH ON AIR INLET

IF MOUNTING CLEARANCE DETAILS ARE REQUIRED, CONSULT FACTORY.  
 MAXIMUM PERMISSIBLE SHAFT RUNOUT WHEN MEASURED AT END OF  
 STANDARD SHAFT EXTENSION IS .003" T.I.R.

DIMENSIONS ARE IN INCHES; SEE SHEET 2 FOR DIMENSIONS IN MILLIMETERS  
 MOTOR WEIGHT 1375 LBS. MAY VARY BY 15% DEPENDING ON RATING  
 CUSTOMER IS RESPONSIBLE FOR DETERMINING THAT MOTOR PERFORMANCE IS SUITABLE IN THE APPLICATION.

SHEET NUMBER  
**1 OF 2**

LTC-174219

|                      |             |                              |                   |
|----------------------|-------------|------------------------------|-------------------|
| REV. DESC: NEW       | VERSION: 00 | REVISED: 03-27-57 11/07/2023 | TDR: 000001213524 |
| MODEL NO. 617437-217 | REF:        |                              |                   |
| BY: ENFRAM           | Material:   |                              |                   |

**BALDOR**

HORZ G405T/404T TEFC ECP DIV.2, CL.2

617437-217

617437-217

# DUTY MASTER ALTERNATING CURRENT MOTORS

## SQUIRREL-CAGE INDUCTION

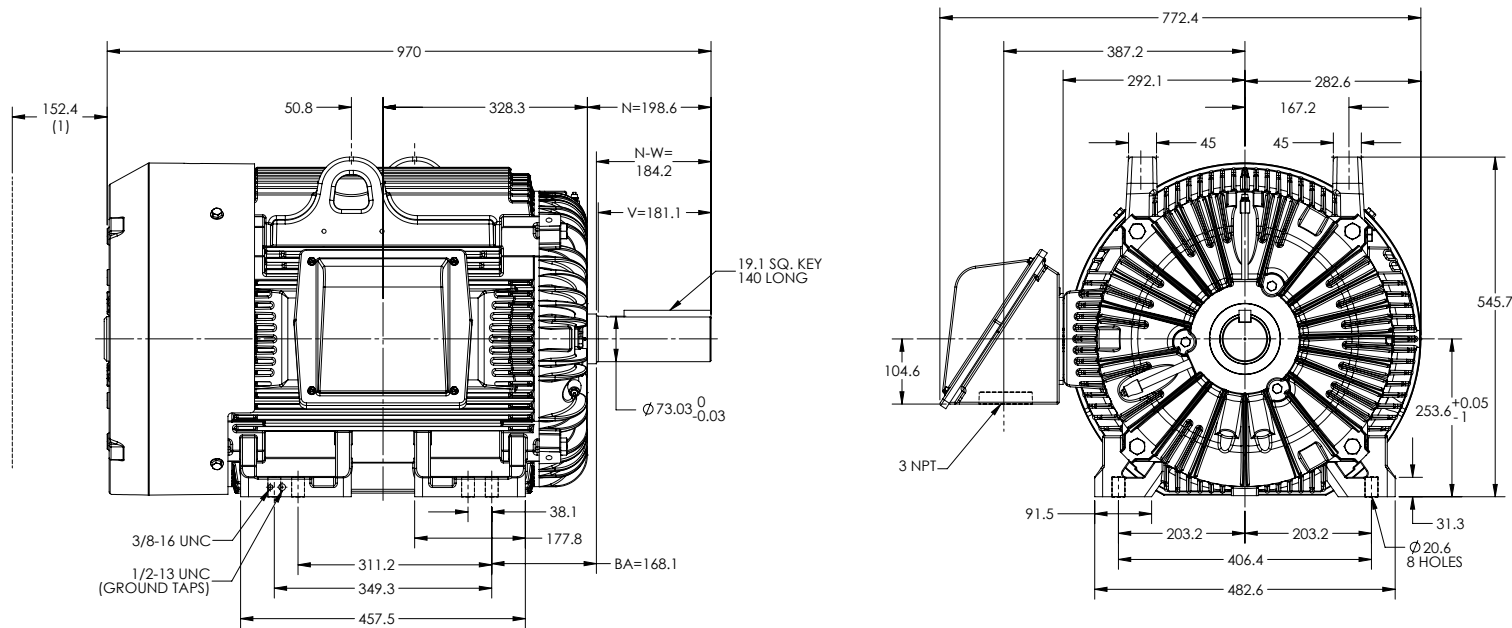
ENCLOSURE: TOTALLY ENCLOSED

MOUNTING: FOOT

FRAME G405T/G404T FRAME MOUNTING HOLES  
 STD CAST IRON C/BOX  
 XP BRATHER DRAIN  
 TACONITE SLINGERS

COOLING: FAN COOLED

ECP SEVERE DUTY



1. OBSTRUCTION MUST NOT ENCROACH ON AIR INLET

IF MOUNTING CLEARANCE DETAILS ARE REQUIRED, CONSULT FACTORY.  
 MAXIMUM PERMISSIBLE SHAFT RUNOUT WHEN MEASURED AT END OF  
 STANDARD SHAFT EXTENSION IS .08 MM T.I.R.

DIMENSIONS ARE IN MILLIMETERS; SEE SHEET 1 FOR DIMENSIONS IN INCHES  
 MOTOR WEIGHT 624 KGS, MAY VARY BY 15% DEPENDING ON RATING

CUSTOMER IS RESPONSIBLE FOR DETERMINING THAT MOTOR PERFORMANCE IS SUITABLE IN THE APPLICATION.

SHEET NUMBER  
**2 OF 2**

LTC-174219

|                      |             |                              |                   |
|----------------------|-------------|------------------------------|-------------------|
| REV. DESC: NEW       | VERSION: 00 | REVISED: 03-27-57 11/07/2023 | TDR: 000001213524 |
| MODEL NO. 617437-217 | REF:        |                              |                   |
| BY: ENFRAM           | Material:   |                              |                   |

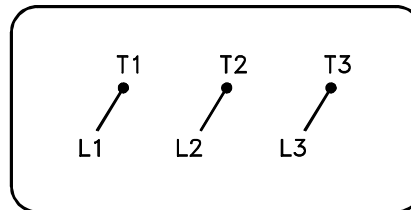
**BALDOR**

HORZ G405T/404T TEFC ECP DIV.2, CL.2

617437-217

416820-036

A-C MOTOR  
CONNECTION DIAGRAM  
STANDARD 3 LEAD CONNECTED



(N.P. 1575-BA)

416820-036

|                                      |                              |                   |
|--------------------------------------|------------------------------|-------------------|
| REV. DESC: LOADED TO BUS, C/R 335225 |                              |                   |
| REV. LTR: -                          | VERSION: 00                  | TDR: 000000538207 |
| FILE: \MGA\00000\682                 | REVISED: 11:54:06 04/30/2010 |                   |
| MTL: -                               | BY: RAGRA                    |                   |

**BALDOR**

CONN DIAG - STANDARD 3 LEAD  
SH 1 of 1