



Customer information packet

SPM4314T

60HP, 1785RPM, 3PH, 60HZ, 364T, A36070M, TEFC

Class - CLI GP A,B,C,D; CLII GP F,G

Division - Division II

Specifications

Enclosure	TEFC
Frame	364T
Frame Material	Iron
Frequency	60.00 Hz
Haz Area Class and Group	CLI GP A,B,C,D; CLII GP F,G
Haz Area Division	Division II
Motor Letter Type	Three Phase
Output @ Frequency	60.000 HP @ 60 HZ
Phase	3
Synchronous Speed @ Frequency	1800 RPM @ 60 HZ
Voltage @ Frequency	230.0 V @ 60 HZ 460.0 V @ 60 HZ
Agency Approvals	CCSAUSEEV CURUSEEV NEMA PREMIUM NEMA_PREMIUM
Ambient Temperature	40 °C
Auxillary Box	No Auxillary Box
Base Indicator	Rigid
Bearing Grease Type	Polyrex EM (-20F +300F)
Current @ Voltage	70.000 A @ 460.0 V 189.000 A @ 208.0 V 140.000 A @ 230.0 V
Design Code	A
Drip Cover	No Drip Cover
Duty Rating	CONT
Efficiency @ 100% Load	95.4 %
Feedback Device	NO FEEDBACK
Heater Indicator	No Heater
High Voltage Full Load Amps	70.0 a
Insulation Class	F
Inverter Code	Inverter Ready

Part detail

Revision	F
Type	AC
Mech. spec.	
Base	
Status	PRD/A
Elec. spec.	A36WG4148
Layout	617436-320
Eff. date	01-03-2025
CD Diagram	416820-002
Poles	04
Leads	3#4,6#6
Proprietary	False
Created date	10-06-2023

KVA Code	J
Lifting Lugs	Standard Lifting Lugs
Max Speed	2700 rpm
Motor Lead Quantity/Wire Size	3 @ 4 AWG
Motor Standards	NEMA
Motor Type	A36070M
Mounting Arrangement	F1
Number of Poles	4
Overall Length	33.48 IN
Power Factor	84
Product Family	General Industrial
Pulley End Bearing Type	Ball
Pulley Face Code	Standard
Service Factor	1.15
Shaft Diameter	2.375 IN
Shaft Ground Indicator	No Shaft Grounding
Shaft Rotation	Reversible
Shaft Slinger Indicator	Shaft Slinger
Speed	1785 rpm
Speed Code	Single Speed
Starting Method	Direct on line
Thermal Device - Bearing	None
Thermal Device - Winding	None

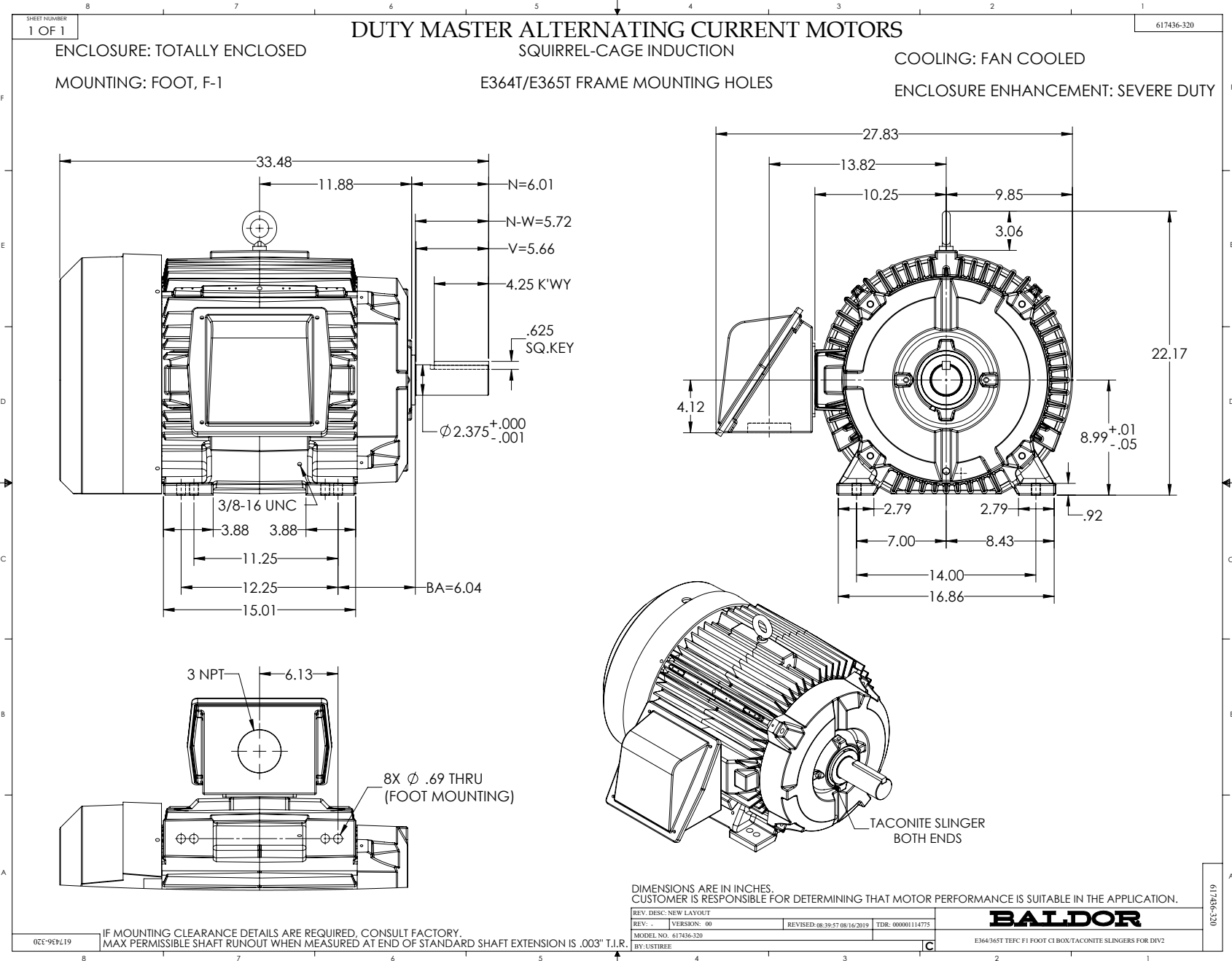
Nameplate

NP4562L

CAT NO	SPM4314T	SPEC NO.	A36-0009-4148		I.P.	55								
HP	60	AMPS	140/70		VOLTS	230/460		DESIGN	A					
FRAME SIZE	364T	RPM	1785		MAX RPM	2700	HZ	60	AMB	40 °C				
D.E. BRG.	65BC03J30X	PH.3	3	DUTY	CONT		INSUL.CLASS	F						
O.D.E. BRG.	65BC03J30X	TYPE	P	P	ENCL	TEFC	SF	1.15	CODE	J				
POWER FACTOR	84	MAX CORR KVAR	14.9		NEMA NOM EFFICIENCY	95.4		MOTOR WEIGHT	LBS					
CL.I,DIV 2,GRP:	A,B,C,D	T.CODE	T3C		CL.1,ZONE 2,GRP:	IIA,II B,II C		T=	160 °C	INVERTER T.CODE	T3			
CL.II,DIV 2,GRP:	F,G	T.CODE	T3C		CL II ZONE 22 GRPS IIIB	T=		160 °C	INVERTER T.CODE	T3				
ID LOGO	INV TYPE:	VPWM	CT	15	TO	60	VT	3	TO	60	CHP	60	TO	90
ID LOGO	1.0 SF VPWM	WK2	16.2	LBFT2	SL HZ		0.5	MAG CUR	56/28					
SER.NO.		MEETS INTENT OF IEEE-45					FOR WEATHER PROTECTION							

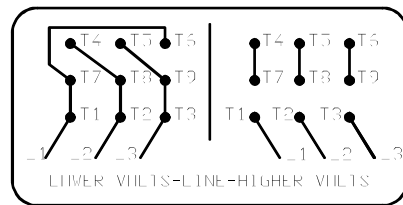
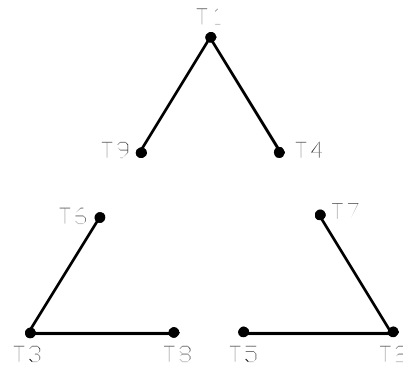
NP2496L

MOBIL POLYREX EM



416820-002

A-C MOTOR
 CONNECTION DIAGRAM
 STANDARD 9 LEAD DELTA-CONNECTED



LOWER VOLTS-LINE-HIGHER VOLTS

(N.P. 1575-B)

416820-002

REV. DESC: FONT CHANGE FOR PDF SEARCHABLE		
REV. LTR: A	VERSION: 01	TDR: 000001009382
FILE: \MGA\00000\661	REVISED: 02:46:19 02/13/2020	BY: MGHMTT
MTL: -	© □	

BALDOR - RELIANCE®

CONN DIAG - STANDARD 9 LEAD, DELTA-CONNECTED

SH 1 of 1