



Customer information packet

SPM4308T-4

40HP, 1185RPM, 3PH, 60HZ, 364T, A3670M, TEFC, F
Class - CLI GP A,B,C,D; CLII GP F,G
Division - Division II

Specifications

Enclosure	TEFC
Frame	364T
Frame Material	Iron
Frequency	60.00 Hz
Haz Area Class and Group	CLI GP A,B,C,D; CLII GP F,G
Haz Area Division	Division II
Motor Letter Type	Three Phase
Output @ Frequency	40.000 HP @ 60 HZ
Phase	3
Synchronous Speed @ Frequency	1200 RPM @ 60 HZ
Voltage @ Frequency	460.0 V @ 60 HZ
Agency Approvals	CCSAUSEEV CURUSEEV NEMA PREMIUM NEMA_PREMIUM
Ambient Temperature	40 °C
Auxillary Box	No Auxillary Box
Base Indicator	Rigid
Bearing Grease Type	Polyrex EM (-20F +300F)
Current @ Voltage	45.000 A @ 460.0 V
Design Code	A
Drip Cover	No Drip Cover
Duty Rating	CONT
Efficiency @ 100% Load	95.0 %
Feedback Device	NO FEEDBACK
Heater Indicator	No Heater
High Voltage Full Load Amps	45.0 a
Insulation Class	F
Inverter Code	Inverter Duty
KVA Code	J
Lifting Lugs	Standard Lifting Lugs
Max Speed	1800 rpm

Part detail

Revision	E
Type	AC
Mech. spec.	
Base	
Status	PRD/A
Elec. spec.	A36WG6607
Layout	617436-320
Eff. date	01-03-2025
CD Diagram	416820-036
Poles	06
Leads	3#4
Proprietary	False
Created date	09-18-2023

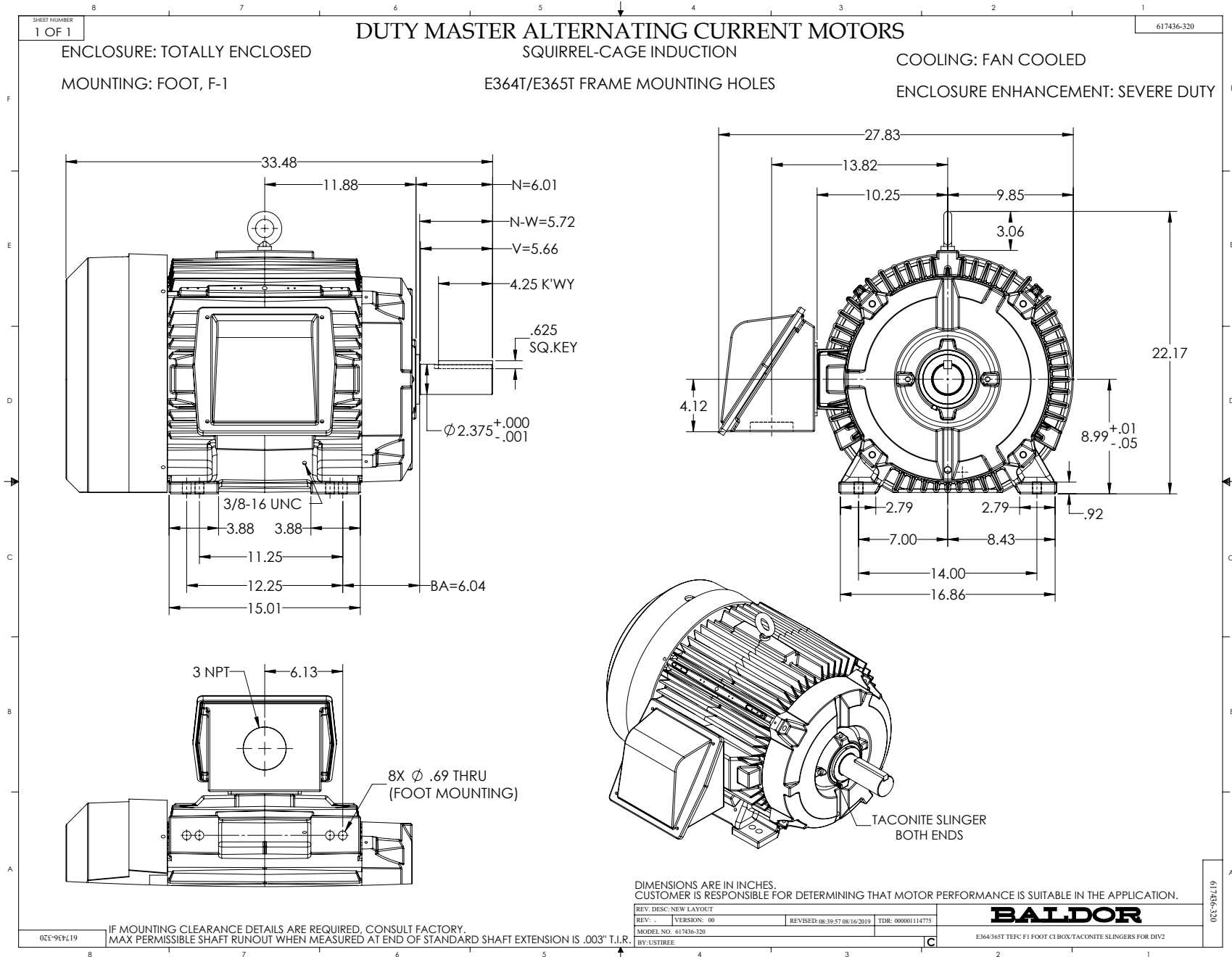
Motor Lead Quantity/Wire Size	3 @ 4 AWG
Motor Standards	NEMA
Motor Type	A3670M
Mounting Arrangement	F1
Number of Poles	6
Overall Length	33.48 IN
Power Factor	88
Product Family	General Industrial
Pulley End Bearing Type	Ball
Pulley Face Code	Standard
Service Factor	1.15
Shaft Diameter	2.374 IN
Shaft Ground Indicator	No Shaft Grounding
Shaft Rotation	Reversible
Shaft Slinger Indicator	Shaft Slinger
Speed	1185 rpm
Speed Code	Single Speed
Starting Method	Direct on line
Thermal Device - Bearing	None
Thermal Device - Winding	None

Nameplate

NP2496L
MOBIL POLYREX EM

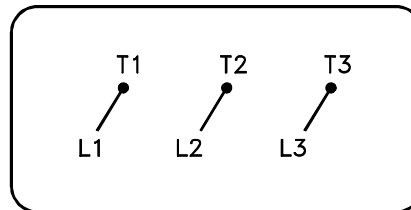
NP4562L

CAT NO	SPM4308T-4		SPEC NO.	A36-0003-6607		I.P.	55	
HP	40	AMPS	45	VOLTS	460	DESIGN	A	
FRAME SIZE	364T	RPM	1185	MAX RPM	1800	HZ	60	AMB 40
D.E. BRG.	65BC03J30X		PH.3	3	DUTY	CONT		INSUL.CLASS F
O.D.E. BRG.	65BC03J30X		TYPE P	P	ENCL	TEFC	SF 1.15	CODE J
POWER FACTOR	88	MAX CORR KVAR	12.0		NEMA NOM EFFICIENCY	95		MOTOR WEIGHT LBS
CL.I,DIV 2,GRP:	A,B,C,D	T.CODE	T3C		CL.1,ZONE 2,GRP:	IIA,IIB,IIC	T= 160	INVERTER T.CODE T3A
CL.II,DIV 2,GRP:	F,G	T.CODE	T3C		CL II ZONE 22 GRPS IIIB	T= 160	INVERTER T.CODE	T3A
ID LOGO	INV TYPE:	VPWM	CT 15	TO 60	VT 3	TO 60	CHP 60	TO 90
ID LOGO	1.0 SF VPWM	WK2	22.7	LBFT2	SL HZ 0.75	MAG CUR	16.8	
SER.NO.				MEETS INTENT OF IEEE-45			FOR WEATHER PROTECTION	



416820-036

A-C MOTOR
CONNECTION DIAGRAM
STANDARD 3 LEAD CONNECTED



(N.P. 1575-BA)

416820-036

REV. DESC: LOADED TO BUS, C/R 335225		
REV. LTR: -	VERSION: 00	TDR: 000000538207
FILE: \MGA\00000\682	REVISED: 11:54:06 04/30/2010	
MTL: -	BY: RAGRA	

BALDOR

CONN DIAG - STANDARD 3 LEAD
SH 1 of 1