



Customer information packet

SPM4110T

40HP, 1785RPM, 3PH, 60HZ, 324T, 1288M, TEFC, F1

Class - None

Division - Not Applicable

Specifications

Enclosure	TEFC
Frame	324T
Frame Material	Iron
Frequency	60.00 Hz
Haz Area Class and Group	None
Haz Area Division	Not Applicable
Motor Letter Type	Three Phase
Output @ Frequency	40.000 HP @ 60 HZ
Phase	3
Synchronous Speed @ Frequency	1800 RPM @ 60 HZ
Voltage @ Frequency	460.0 V @ 60 HZ 230.0 V @ 60 HZ
Agency Approvals	CSA CURUSEEV NEMA PREMIUM NEMA_PREMIUM WEEE
Ambient Temperature	40 °C
Auxillary Box	No Auxillary Box
Auxillary Box Lead Termination	None
Base Indicator	Rigid
Bearing Grease Type	Polyrex EM (-20F +300F)
Blower	None
Current @ Voltage	96.000 A @ 230.0 V 48.000 A @ 460.0 V 104.000 A @ 208.0 V
Design Code	A
Drip Cover	No Drip Cover
Duty Rating	CONT
Efficiency @ 100% Load	95.0 %
Electrically Isolated Bearing	Not Electrically Isolated
Feedback Device	NO FEEDBACK

Part detail

Revision	B
Type	AC
Mech. spec.	12T116
Base	
Status	PRD/A
Elec. spec.	12WGZ347
Layout	12LYT116
Eff. date	12-26-2024
CD Diagram	CD0180
Poles	04
Leads	9#8
Proprietary	False
Created date	06-18-2024

Front Shaft Indicator	None
Haz Area Temp Code	T3B
Heater Indicator	No Heater
High Voltage Full Load Amps	48.0 a
Insulation Class	F
Inverter Code	Inverter Duty
KVA Code	K
Lifting Lugs	Standard Lifting Lugs
Locked Bearing Indicator	Locked Bearing
Max Speed	2700 rpm
Motor Lead Quantity/Wire Size	9 @ 8 AWG
Motor Lead Termination	Flying Leads
Motor Standards	NEMA
Motor Type	1288M
Mounting Arrangement	F1
Number of Poles	4
Overall Length	30.71 IN
Power Factor	82
Product Family	General Purpose
Pulley End Bearing Type	Ball
Pulley Face Code	Standard
Pulley Shaft Indicator	Standard
Rodent Screen	None
RoHS Status	Y
Service Factor	1.15
Shaft Diameter	2.125 IN
Shaft Ground Indicator	No Shaft Grounding
Shaft Rotation	Reversible
Shaft Slinger Indicator	No Slinger
Speed	1785 rpm
Speed Code	Single Speed
Starting Method	Direct on line
Thermal Device - Bearing	None
Thermal Device - Winding	None

Vibration Sensor Indicator**No Vibration Sensor****Winding Thermal 1****None****Winding Thermal 2****None**

Nameplate

NP4439B05C23L

CAT #	SPM4110T	SER #		CC	010A	WGT	720	LBS		
SPEC	12T116Z347	FRAME	324T	ENCL	TEFC	IP	55			
RATING	40C AMB-CONT			NEMA NOM. EFF	95					
HP	40	VOLTS	230/460							
AMPS	96/48		RPM	1785	HZ	60				
PH	3	CL	F	CODE	K	DES	A	PF	82 %	
		SER.F.	1.15		SF AMP					
DE BRG	6312		ODE BRG	6312		LUBE	POLYREX EM			
INV TYPE:	VPWM	SL HZ	0.5	CHP	60	TO	90	1.5:1		
WK2	11.7	LBFT2		MAX RPM	2700	CT	6	TO	60	
								10:1		
MAG CUR	42/21		VT	3	TO	60	20:1			
				MEETS INTENT OF IEEE-45			FOR WEATHER PROTECTION			
CL I DIV 2 GRPS A,B,C,D				TEMP CODE	T3C	CL I INV TEMP CODE	200	TEMP=	160	
CL I ZONE 2 GRPS				IIA,IIB,IIC	TEMP =	165	CL II INV TEMP CODE	T3B	TEMP =	165
CL II DIV 2 GRPS F&G				TEMP CODE	T3B	1.0 SF ON PWM INVERTER POWER				
CL II ZONE 22 GRPS IIIB				TEMP=	165					

YR

AC Induction Motor Performance Data

Record # 104337

Typical performance - not guaranteed values

Winding: 12WGZ347-R001		Type: 1288M	Enclosure: TEFC	
Nameplate Data			460 V, 60 Hz: High Voltage Connection	
Rated Output (HP)	40	Full Load Torque	118.2 LB-FT	
Volts	230/460	Start Configuration	direct on line	
Full Load Amps	92/46	Breakdown Torque	414 LB-FT	
R.P.M.	1775	Pull-up Torque	230 LB-FT	
Hz	60 Phase	3	Locked-rotor Torque	279 LB-FT
NEMA Design Code	A KVA Code	J	Starting Current	409 A
Service Factor (S.F.)	1.15	No-load Current	21.2 A	
NEMA Nom. Eff.	95 Power Factor	85	Line-line Res. @ 25°C	0.10417 Ω
Rating - Duty	40C AMB-CONT	Temp. Rise @ Rated Load	44°C	
S.F. Amps		Temp. Rise @ S.F. Load	52°C	
		Locked-rotor Power Factor	24.9	

Load Characteristics 460 V, 60 Hz, 40 HP

% of Rated Load	25	50	75	100	125	150	S.F.
Power Factor	44	66	77	82	85	86	84
Efficiency	90.8	94.3	95.2	95.2	95	94.7	95.1
Speed	1796.2	1792.3	1788.5	1784.3	1780.2	1775	1782
Line amperes	23.9	30.3	38.6	48	58.2	69.1	54.1

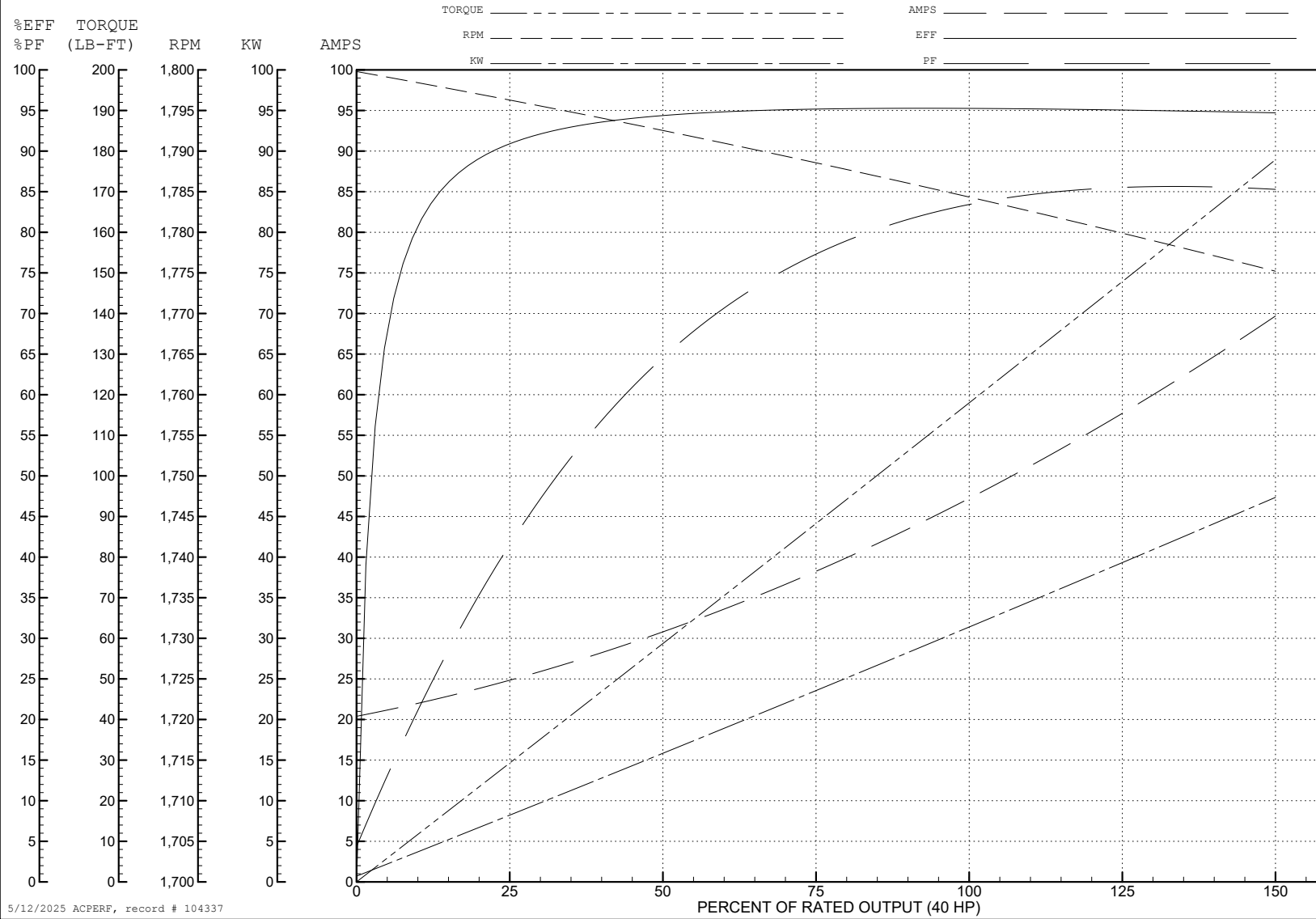
ABB Motors and Mechanical Inc.

WINDING # 12WGZ347

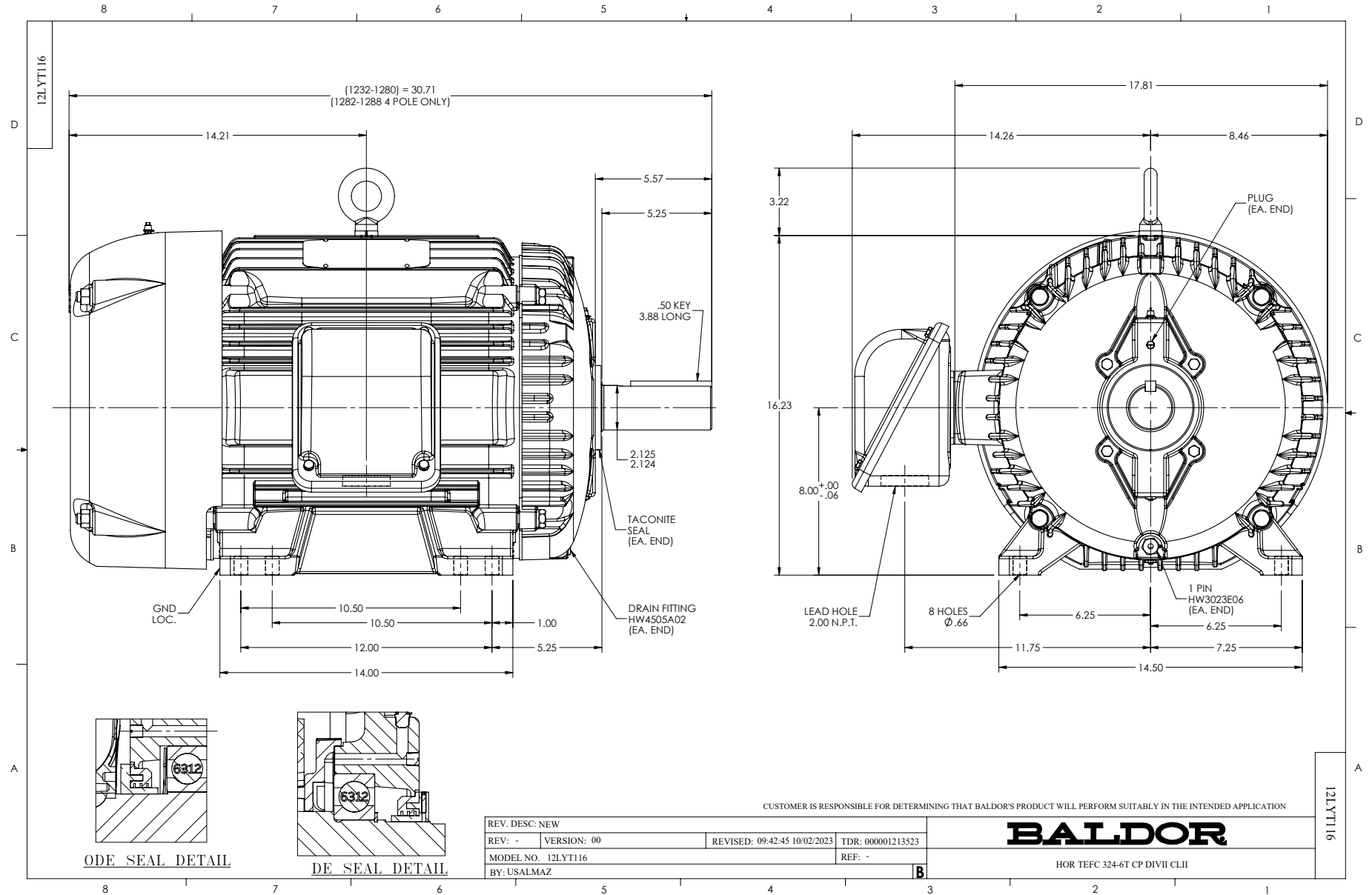
Typical performance - not guaranteed values.

40 HP 3 PH 60 HZ 1775 RPM 460 V 1288M

TORQUES (LB-FT): PO=414 PU=230 LR=279 LRA=409



5/12/2025 ACPERF, record # 104337



CD0180



LOW VOLTAGE
(2D)



HIGH VOLTAGE
(1D)



NOTES:

1. INTERCHANGE ANY TWO LINE LEADS TO REVERSE ROTATION.
2. OPTIONAL THERMOSTATS ARE PROVIDED WHEN SPECIFIED.
3. ACTUAL NUMBER OF INTERNAL PARALLEL CIRCUITS MAY BE A MULTIPLE OF THOSE SHOWN ABOVE.
4. LEAD COLORS ARE OPTIONAL. LEADS MUST ALWAYS BE NUMBERED AS SHOWN.

CD0180

REV. DESC: ADD CLASS CONN00000007		
REV. LTR: D	VERSION: 01	TDR: 000001099922
FILE: \AAA\00005\148	REVISED: 10: 25: 29 02/19/2019	BY: ENBRIRO
MTL: -	© □	

BALDOR - RELIANCE®

3PH, DV, 9 LEADS, DELTA CONNECTION

SH 1 of 1