



Customer information packet

SPM3464

.75HP, 1735RPM, 3PH, 60HZ, 48, 3436M, TEFC, F1

Class - None

Division - Not Applicable

Specifications

Enclosure	TEFC
Frame	48
Frame Material	Steel
Frequency	60.00 Hz
Haz Area Class and Group	None
Haz Area Division	Not Applicable
Motor Letter Type	Three Phase
Output @ Frequency	.750 HP @ 60 HZ
Phase	3
Synchronous Speed @ Frequency	1800 RPM @ 60 HZ
Voltage @ Frequency	230.0 V @ 60 HZ 460.0 V @ 60 HZ
Agency Approvals	WEEE C UR US
Ambient Temperature	40 °C
Auxillary Box	No Auxillary Box
Auxillary Box Lead Termination	None
Base Indicator	Rigid
Bearing Grease Type	Polyrex EM (-20F +300F)
Blower	None
Current @ Voltage	.950 A @ 460.0 V 1.900 A @ 230.0 V
Design Code	B
Drip Cover	No Drip Cover
Duty Rating	CONT
Efficiency @ 100% Load	84.0 %
Electrically Isolated Bearing	Not Electrically Isolated
Feedback Device	NO FEEDBACK
Front Shaft Indicator	None
Heater Indicator	No Heater
High Voltage Full Load Amps	1.0 a
Insulation Class	F

Part detail

Revision	B
Type	AC
Mech. spec.	34T121
Base	
Status	PRD/A
Elec. spec.	34WGR770
Layout	34LYT121
Eff. date	07-16-2024
CD Diagram	CD0005
Poles	04
Leads	9#18
Proprietary	False
Created date	09-12-2023

Inverter Code	Not Inverter
KVA Code	N
Lifting Lugs	No Lifting Lugs
Locked Bearing Indicator	No Locked Bearing
Motor Lead Quantity/Wire Size	9 @ 18 AWG
Motor Lead Termination	Flying Leads
Motor Standards	NEMA
Motor Type	3436M
Mounting Arrangement	F1
Number of Poles	4
Overall Length	13.10 IN
Power Factor	87
Product Family	General Purpose
Pulley End Bearing Type	Ball
Pulley Face Code	Standard
Pulley Shaft Indicator	Standard
Rodent Screen	None
RoHS Status	ROHS COMPLIANT
Service Factor	1.15
Shaft Diameter	0.500 IN
Shaft Ground Indicator	No Shaft Grounding
Shaft Rotation	Reversible
Shaft Slinger Indicator	No Slinger
Speed	1735 rpm
Speed Code	Single Speed
Starting Method	Direct on line
Thermal Device - Bearing	None
Thermal Device - Winding	None
Vibration Sensor Indicator	No Vibration Sensor
Winding Thermal 1	None
Winding Thermal 2	None

Nameplate

NP4558A02LL									
CAT #	SPM3464		WGT	40	LBS				
SER #				ENCL	TEFC				
SPEC	34T121R770		CC			IP	54		
HP	.75		NEMA NOM. EFF			84			
VOLTS	230/460		PF	87					
AMPS	1.9/0.95								
RATING	40C AMB-CONT								
RPM	1735		PH	3	DES	B			
FRAME	48	HZ	60	CODE	N	CLASS	F		
SER.F.	1.15	SF AMP							
DE	6203	ODE	6203						
GREASE	POLYREX EM								
YR									

AC Induction Motor Performance Data

Record # 100602

Preliminary Data Sheet

Winding: 34WGR770-R001		Type: 3436M		Enclosure: TEFC	
Nameplate Data			460 V, 60 Hz: High Voltage Connection		
Rated Output (HP)	.75	Full Load Torque	2.29 LB-FT		
Volts	230/460	Start Configuration	direct on line		
Full Load Amps	1.9/0.95	Breakdown Torque	10.1 LB-FT		
R.P.M.	1735	Pull-up Torque	7.8 LB-FT		
Hz	60	Phase	3	Locked-rotor Torque	8.8 LB-FT
NEMA Design Code	B	KVA Code	N	Starting Current	9 A
Service Factor (S.F.)	1.15	No-load Current	0.49 A		
NEMA Nom. Eff.	84	Power Factor	87	Line-line Res. @ 25°C	15.4 Ω
Rating - Duty	40C AMB-CONT		Temp. Rise @ Rated Load	24°C	
S.F. Amps			Temp. Rise @ S.F. Load	28°C	
			Locked-rotor Power Factor	46.4	
			Rotor inertia	0.0857 lb-ft ²	

Load Characteristics 460 V, 60 Hz, 0.75 HP

% of Rated Load	25	50	75	100	125	150	S.F.
Power Factor	43	67	80	87	90	92	89
Efficiency	78.1	85.5	86.7	86.5	85.1	83	85.7
Speed	1783	1767	1751	1734	1713	1688	1721
Line amperes	0.53	0.62	0.77	0.94	1.16	1.43	1.07

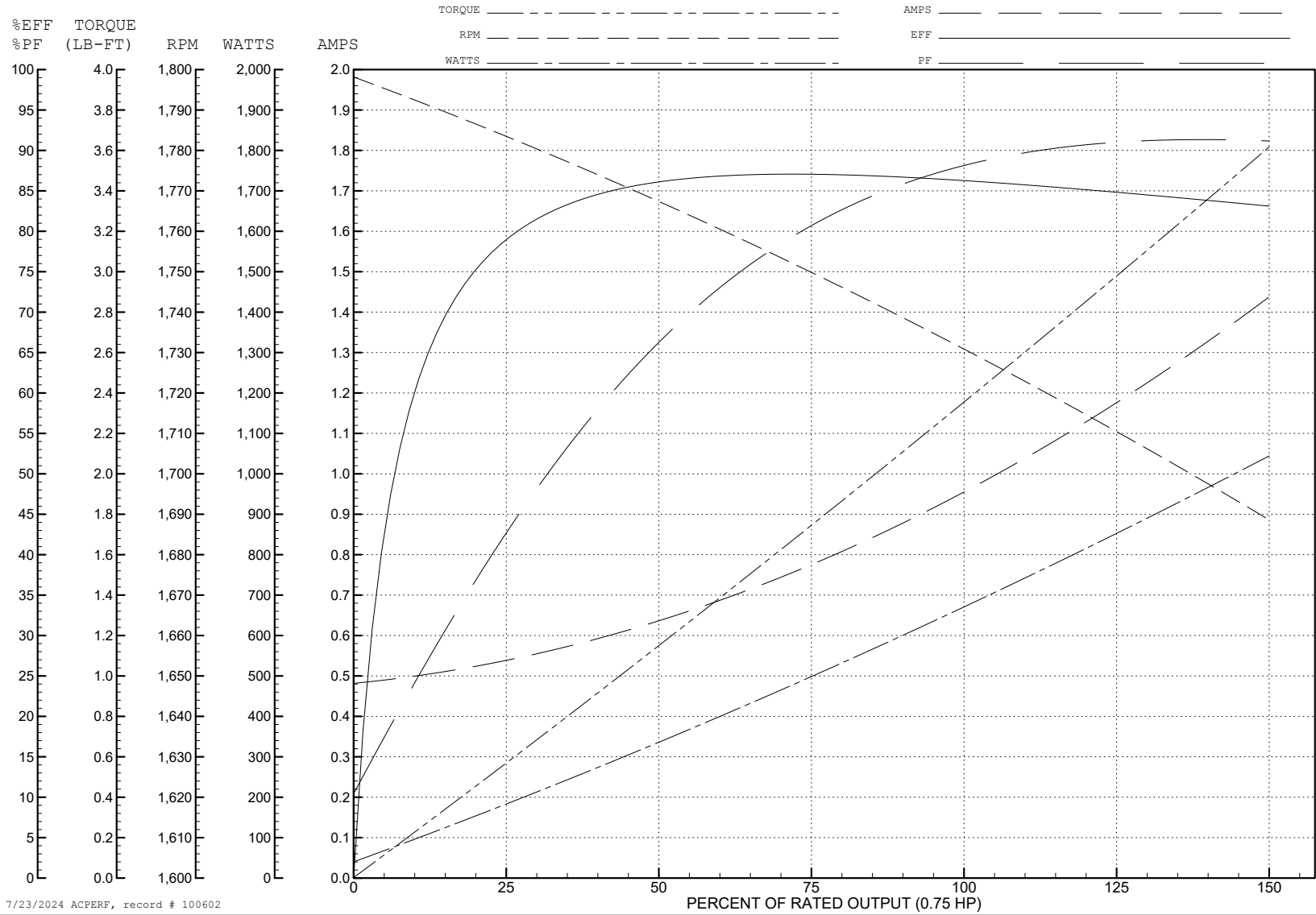
ABB Motors and Mechanical Inc.

WINDING # 34WGR770

0.75 HP 3 PH 60 HZ 1735 RPM 460 V 3436M

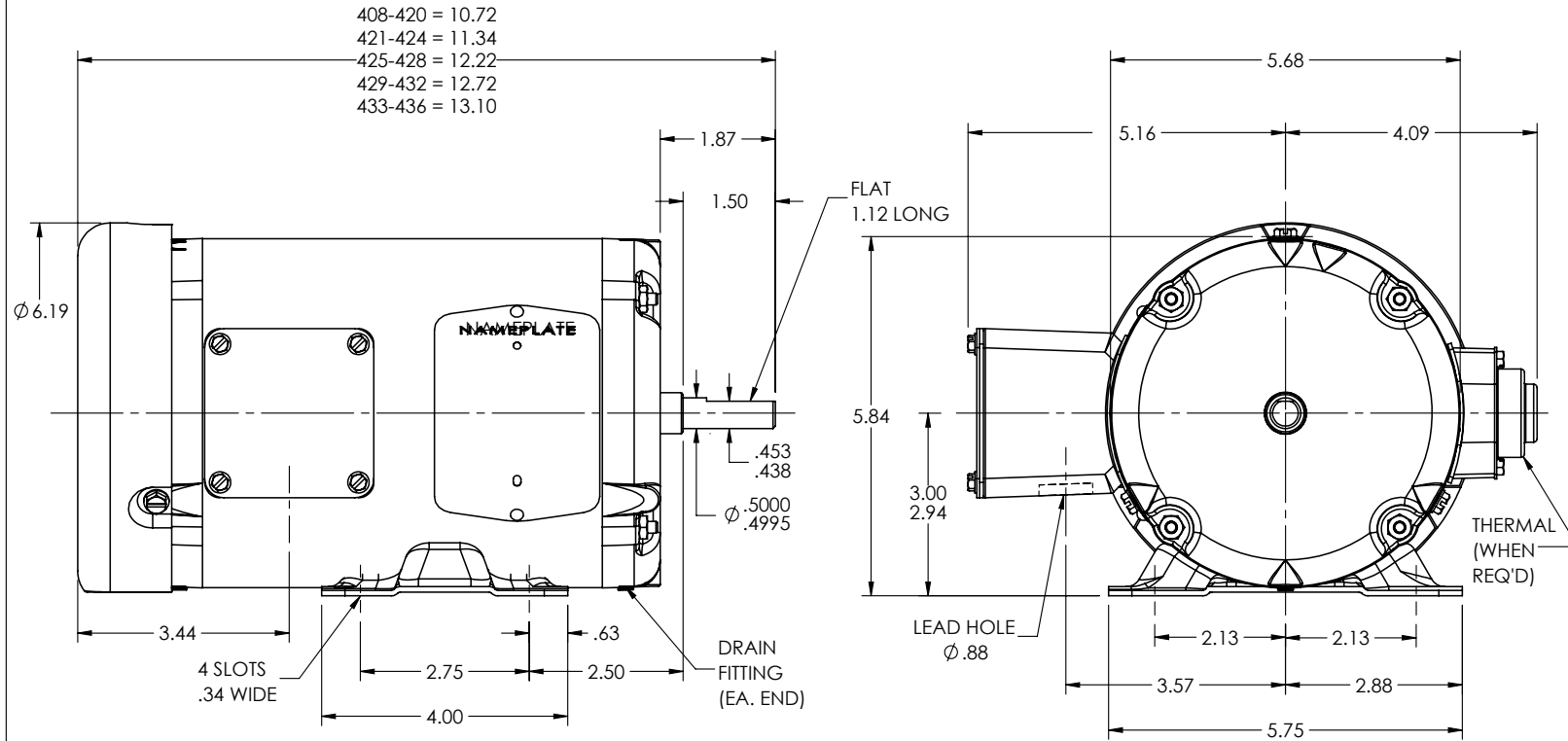
Typical performance - not guaranteed values.

TORQUES (LB-FT): PO=10.1 PU=7.8 LR=8.8 LRA=9



7/23/2024 ACPERF, record # 100602

34LYT121



CUSTOMER IS RESPONSIBLE FOR DETERMINING THAT THE PRODUCT WILL PERFORM SUITABLY IN THE INTENDED APPLICATION

REV. DESC: NEW			
REV: -	VERSION: 00	REVISED: 01:07:01 09/11/2023	TDR: 000001213518
34LYT121	MODEL NO. 34LYT121	REF: -	
	BY: USALMAZ		

BALDOR - RELIANCE®

STD HORZ 34M NEMA 48 TEFC W/T DRAINS

34LYT121

CD0005



LOW VOLTAGE (2Y)



LINE

HIGH VOLTAGE (1Y)



LINE

NOTES:

1. INTERCHANGE ANY TWO LINE LEADS TO REVERSE ROTATION.
2. OPTIONAL THERMOSTATS ARE PROVIDED WHEN SPECIFIED.
3. ACTUAL NUMBER OF INTERNAL PARALLEL CIRCUITS MAY BE A MULTIPLE OF THOSE SHOWN ABOVE.
4. LEAD COLORS ARE OPTIONAL. LEADS MUST ALWAYS BE NUMBERED AS SHOWN.

CD0005

REV. DESC: REVISE TO SHOW OPTIONAL COLORS			
REV. LTR: E	BY: JLP	REVISED: 01/19/99 10:15	TDR: 0171435
S00000		FILE: AAA00005140	MDL: -
		MTL: -	

BALDOR ELECTRIC Co.

3PH, DV, 9 LEADS