

BALDOR • RELIANCE

Customer information packet

SPM3454

.25HP, 1735RPM, 3PH, 60HZ, 48, 3416M, TEFC, F1

Class - None

Division - Not Applicable

Specifications

Enclosure	TEFC
Frame	48
Frame Material	Steel
Frequency	60.00 Hz
Haz Area Class and Group	None
Haz Area Division	Not Applicable
Motor Letter Type	Three Phase
Output @ Frequency	.250 HP @ 60 HZ
Phase	3
Synchronous Speed @ Frequency	1800 RPM @ 60 HZ
Voltage @ Frequency	230.0 V @ 60 HZ 460.0 V @ 60 HZ
Agency Approvals	WEEE C UR US
Ambient Temperature	40 °C
Auxillary Box	No Auxillary Box
Auxillary Box Lead Termination	None
Base Indicator	Rigid
Bearing Grease Type	Polyrex EM (-20F +300F)
Blower	None
Current @ Voltage	.400 A @ 460.0 V .800 A @ 230.0 V
Design Code	B
Drip Cover	No Drip Cover
Duty Rating	CONT
Efficiency @ 100% Load	74.0 %
Electrically Isolated Bearing	Not Electrically Isolated
Feedback Device	NO FEEDBACK
Front Shaft Indicator	None
Heater Indicator	No Heater
High Voltage Full Load Amps	0.4 a
Insulation Class	F

Part detail

Revision	A
Type	AC
Mech. spec.	34T121
Base	
Status	PRD/A
Elec. spec.	34WGR773
Layout	34LYT121
Eff. date	03-18-2024
CD Diagram	CD0005
Poles	04
Leads	9#18
Proprietary	False
Created date	09-12-2023

Inverter Code	Not Inverter
KVA Code	L
Lifting Lugs	No Lifting Lugs
Locked Bearing Indicator	No Locked Bearing
Motor Lead Quantity/Wire Size	9 @ 18 AWG
Motor Lead Termination	Flying Leads
Motor Standards	NEMA
Motor Type	3416M
Mounting Arrangement	F1
Number of Poles	4
Overall Length	10.72 IN
Power Factor	64
Product Family	General Purpose
Pulley End Bearing Type	Ball
Pulley Face Code	Standard
Pulley Shaft Indicator	Standard
Rodent Screen	None
RoHS Status	ROHS COMPLIANT
Service Factor	1.35
Shaft Diameter	0.500 IN
Shaft Ground Indicator	No Shaft Grounding
Shaft Rotation	Reversible
Shaft Slinger Indicator	No Slinger
Speed	1735 rpm
Speed Code	Single Speed
Starting Method	Direct on line
Thermal Device - Bearing	None
Thermal Device - Winding	None
Vibration Sensor Indicator	No Vibration Sensor
Winding Thermal 1	None
Winding Thermal 2	None

Nameplate

NP4558A02LL									
CAT #	SPM3454		WGT	24	LBS				
SER #			ENCL	TEFC					
SPEC	34T121R773		CC		IP	54			
HP	.25		NEMA NOM. EFF			74			
VOLTS	230/460		PF	64					
AMPS	.8/.4								
RATING	40C AMB-CONT								
RPM	1735		PH	3	DES	B			
FRAME	48	HZ	60	CODE	L	CLASS	F		
SER.F.	1.35	SF AMP	1/5						
DE	6203	ODE	6203						
GREASE	POLYREX EM								
				QR					
YR									

AC Induction Motor Performance Data

Record # 100717

Preliminary Data Sheet

Winding: 34WGR773-R001		Type: 3416M	Enclosure: TEFC	
Nameplate Data			460 V, 60 Hz: Unknown	
Rated Output (HP)	.25	Full Load Torque	0.76 LB-FT	
Volts	230/460	Start Configuration	direct on line	
Full Load Amps	.8/.4	Breakdown Torque	2.8 LB-FT	
R.P.M.	1735	Pull-up Torque	1.6 LB-FT	
Hz	60 Phase	3	Locked-rotor Torque	2.1 LB-FT
NEMA Design Code	B KVA Code	L	Starting Current	2.8 A
Service Factor (S.F.)		1.35	No-load Current	0.3 A
NEMA Nom. Eff.	74 Power Factor	64	Line-line Res. @ 25°C	63.2 Ω
Rating - Duty		40C AMB-CONT	Temp. Rise @ Rated Load	21°C
S.F. Amps		1/.5	Temp. Rise @ S.F. Load	29°C
			Locked-rotor Power Factor	58.8
			Rotor inertia	0.0381 lb-ft ²

Load Characteristics 460 V, 60 Hz, 0.25 HP

% of Rated Load	25	50	75	100	125	150	S.F.
Power Factor	36	53	66	75	82	85	83
Efficiency	51.2	65.6	71.6	74.6	75.5	75.8	75.6
Speed	1778	1763	1748	1730	1711	1691	1703
Line amperes	0.31	0.33	0.37	0.42	0.47	0.54	0.498

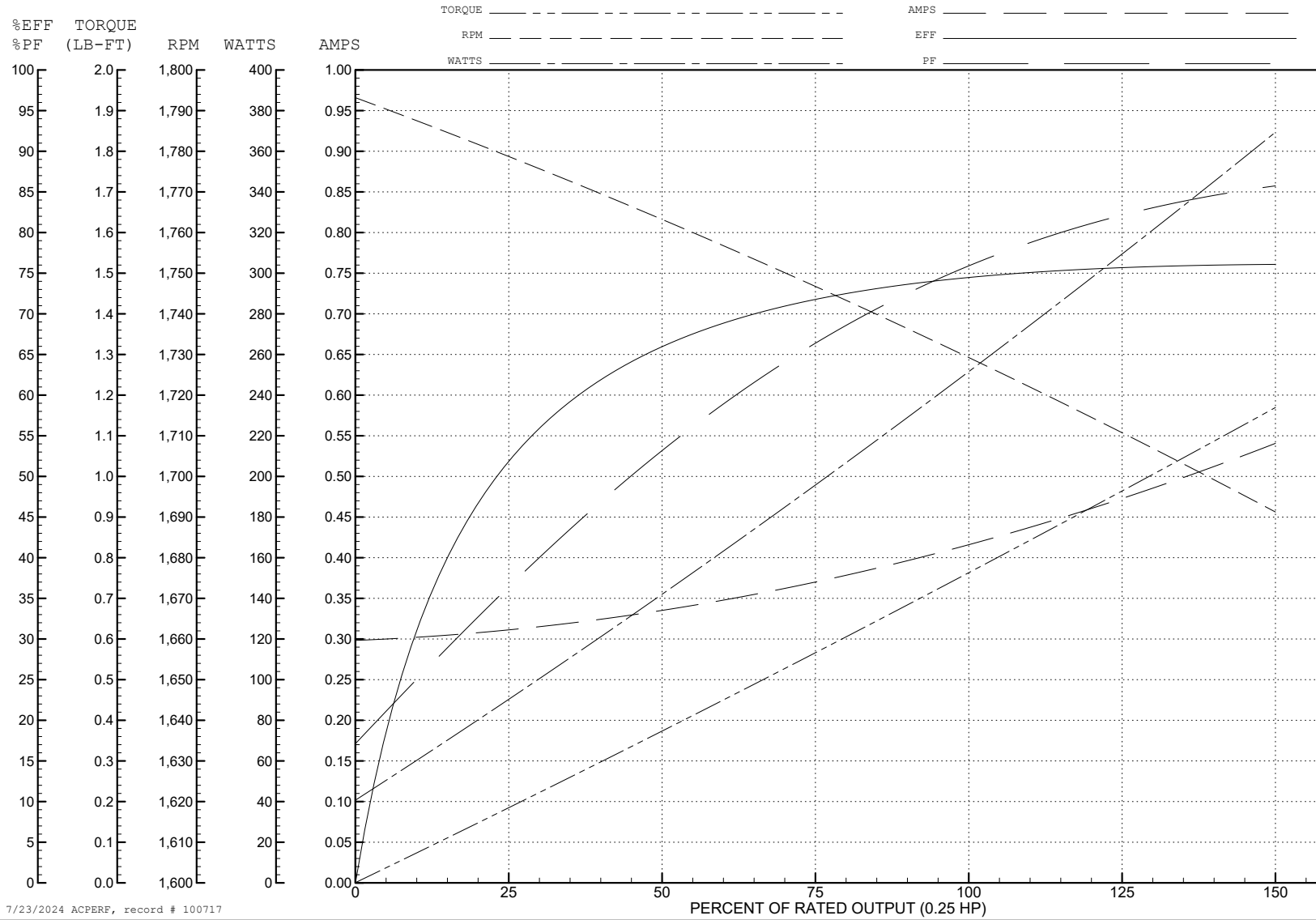
ABB Motors and Mechanical Inc.

WINDING # 34WGR773

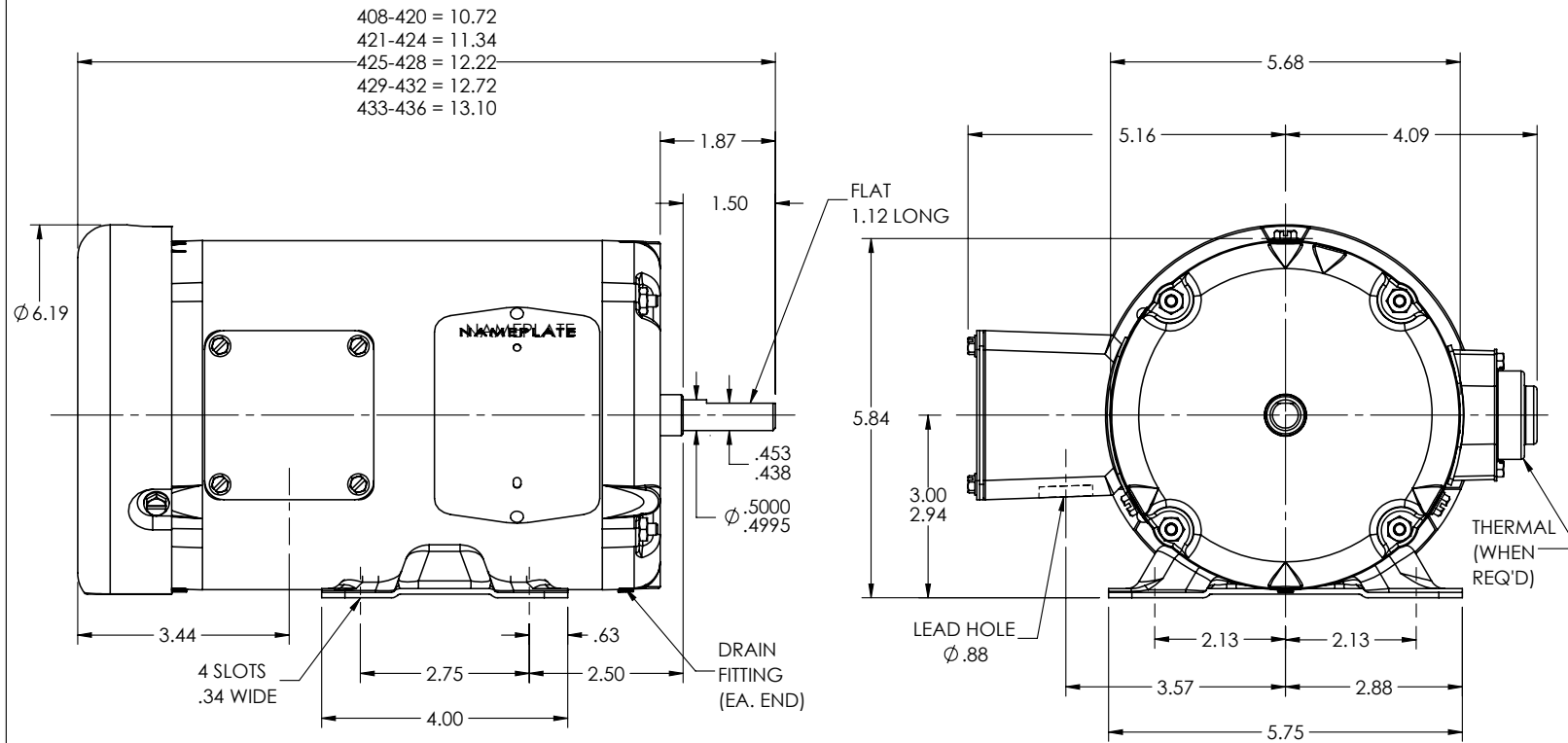
0.25 HP 3 PH 60 HZ 1735 RPM 460 V 3416M

Typical performance - not guaranteed values.

TORQUES (LB-FT): PO=2.8 PU=1.6 LR=2.1 LRA=2.8



34LYT121



CUSTOMER IS RESPONSIBLE FOR DETERMINING THAT THE PRODUCT WILL PERFORM SUITABLY IN THE INTENDED APPLICATION

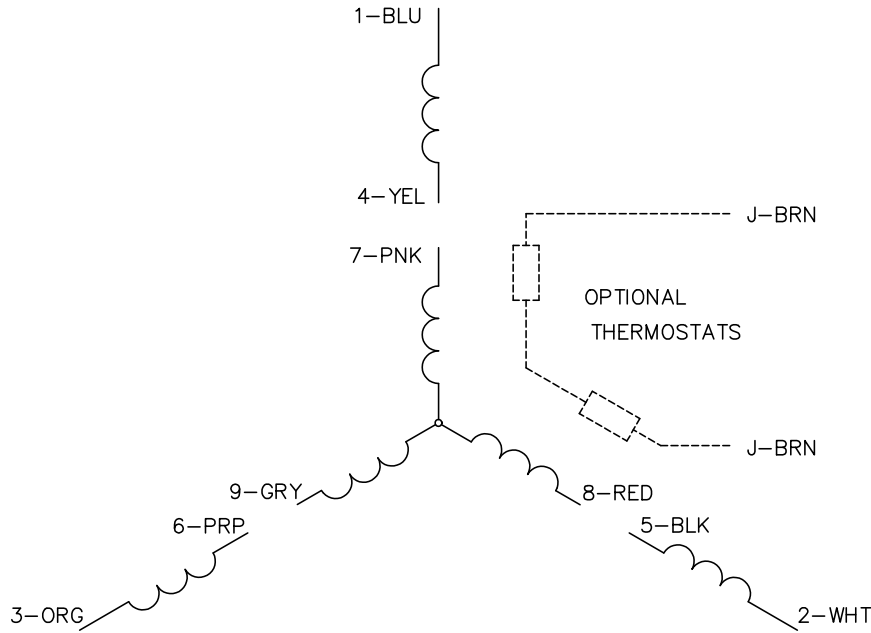
REV. DESC: NEW			
REV: -	VERSION: 00	REVISED: 01:07:01 09/11/2023	TDR: 000001213518
34LYT121		MODEL NO. 34LYT121	REF: -
		BY: USALMAZ	

BALDOR - RELIANCE®

STD HORZ 34M NEMA 48 TEFC W/T DRAINS

34LYT121

CD0005

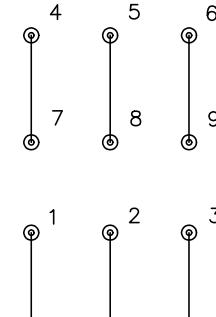


LOW VOLTAGE
(2Y)



LINE

HIGH VOLTAGE
(1Y)



LINE

NOTES:

1. INTERCHANGE ANY TWO LINE LEADS TO REVERSE ROTATION.
2. OPTIONAL THERMOSTATS ARE PROVIDED WHEN SPECIFIED.
3. ACTUAL NUMBER OF INTERNAL PARALLEL CIRCUITS MAY BE A MULTIPLE OF THOSE SHOWN ABOVE.
4. LEAD COLORS ARE OPTIONAL. LEADS MUST ALWAYS BE NUMBERED AS SHOWN.

CD0005

REV. DESC: REVISE TO SHOW OPTIONAL COLORS			
REV. LTR: E	BY: JLP	REVISED: 01/19/99 10:15	TDR: 0171435
S00000		FILE: AAA00005140	MDL: -
		MTL: -	

BALDOR ELECTRIC Co.

3PH, DV, 9 LEADS