



Customer information packet

SPM3314T

15HP, 3515RPM, 3PH, 60HZ, 215T, 3756M, OPSB, F1

Class - None

Division - Not Applicable

Specifications

Enclosure	OPSB
Frame	215T
Frame Material	Steel
Frequency	60.00 Hz
Haz Area Class and Group	None
Haz Area Division	Not Applicable
Motor Letter Type	Three Phase
Output @ Frequency	15.000 HP @ 60 HZ
Phase	3
Synchronous Speed @ Frequency	3600 RPM @ 60 HZ
Voltage @ Frequency	230.0 V @ 60 HZ 460.0 V @ 60 HZ
Agency Approvals	CURUSEEV NEMA PREMIUM WEEE
Ambient Temperature	40 °C
Auxillary Box	No Auxillary Box
Auxillary Box Lead Termination	None
Base Indicator	Rigid
Bearing Grease Type	Polyrex EM (-20F +300F)
Blower	None
Current @ Voltage	17.000 A @ 460.0 V 34.000 A @ 230.0 V
Design Code	A
Drip Cover	No Drip Cover
Duty Rating	CONT
Efficiency @ 100% Load	92.4 %
Electrically Isolated Bearing	Not Electrically Isolated
Feedback Device	NO FEEDBACK
Front Shaft Indicator	None
Heater Indicator	No Heater
High Voltage Full Load Amps	17.0 a

Part detail

Revision	B
Type	AC
Mech. spec.	37T645
Base	
Status	PRD/A
Elec. spec.	37WGR601
Layout	37LYT645
Eff. date	05-03-2024
CD Diagram	CD0180
Poles	02
Leads	9#14
Proprietary	False
Created date	09-05-2023

Insulation Class	F
Inverter Code	Inverter Ready
KVA Code	K
Lifting Lugs	Vertical Lifting Lugs
Locked Bearing Indicator	No Locked Bearing
Max Speed	5400 rpm
Motor Lead Quantity/Wire Size	9 @ 14 AWG
Motor Lead Termination	Flying Leads
Motor Standards	NEMA
Motor Type	3756M
Mounting Arrangement	F1
Number of Poles	2
Overall Length	18.95 IN
Power Factor	88
Product Family	General Purpose
Pulley End Bearing Type	Ball
Pulley Face Code	Standard
Pulley Shaft Indicator	Standard
Rodent Screen	None
RoHS Status	ROHS COMPLIANT
Service Factor	1.15
Shaft Diameter	1.375 IN
Shaft Ground Indicator	No Shaft Grounding
Shaft Rotation	Reversible
Shaft Slinger Indicator	No Slinger
Speed	3515 rpm
Speed Code	Single Speed
Starting Method	Direct on line
Thermal Device - Bearing	None
Thermal Device - Winding	None
Vibration Sensor Indicator	No Vibration Sensor
Winding Thermal 1	None
Winding Thermal 2	None

Nameplate

NP4423A01A01L

CAT #	SPM3314T	WGT	187	LBS	
SPEC	37T645R601	ENCL	OPSB		
SER #		CC	010A	IP	22
HP	15	MAG CUR	11.6/5.8		
VOLTS	230/460		NEMA NOM. EFF	92.4	
AMPS	34/17		PF	88	
RATING	40C AMB-CONT				
RPM	3515	MAX RPM	5400		
FRAME	215T	HZ	60	CODE	K
		CLASS	F		
SER.F.	1.15	SF AMP	39/19.5	PH	3
		DES	A		
DE	6307	ODE	6206		
LUBRICATION	POLYREX EM				
ID LOGO	INVERTER TYPE	VPWM	CHP	60	TO
	90		1.5:1		
ID LOGO	WK2	0.51	CT	6	TO
				60	10:1
ID LOGO	SL HZ	1.4	VT	3	TO
				60	20:1
			QR		
YR					

AC Induction Motor Performance Data

Record # 100931

Typical performance - not guaranteed values

Winding: 37WGR601-R005		Type: 3756M	Enclosure: ODP
Nameplate Data		460 V, 60 Hz: High Voltage Connection	
Rated Output (HP)	15	Full Load Torque	22.09 LB-FT
Volts	230/460	Start Configuration	direct on line
Full Load Amps	34/17	Breakdown Torque	112 LB-FT
R.P.M.	3515	Pull-up Torque	43.2 LB-FT
Hz	60 Phase	Locked-rotor Torque	62 LB-FT
NEMA Design Code	A KVA Code	Starting Current	161 A
Service Factor (S.F.)	1.15	No-load Current	5.75 A
NEMA Nom. Eff.	92.4 Power Factor	Line-line Res. @ 25°C	0.406 Ω
Rating - Duty	40C AMB-CONT	Temp. Rise @ Rated Load	40°C
S.F. Amps	39/19.5	Temp. Rise @ S.F. Load	49°C
		Locked-rotor Power Factor	29.9
		Rotor inertia	0.51 lb-ft ²

Load Characteristics 460 V, 60 Hz, 15 HP

% of Rated Load	25	50	75	100	125	150	S.F.
Power Factor	53	76	85	88	90	90	89
Efficiency	89.4	92.8	93.2	92.7	91.9	90.8	92.2
Speed	3580	3561	3539	3516	3491	3465	3501
Line amperes	6.81	9.54	13.1	16.95	20.9	25.31	19.3

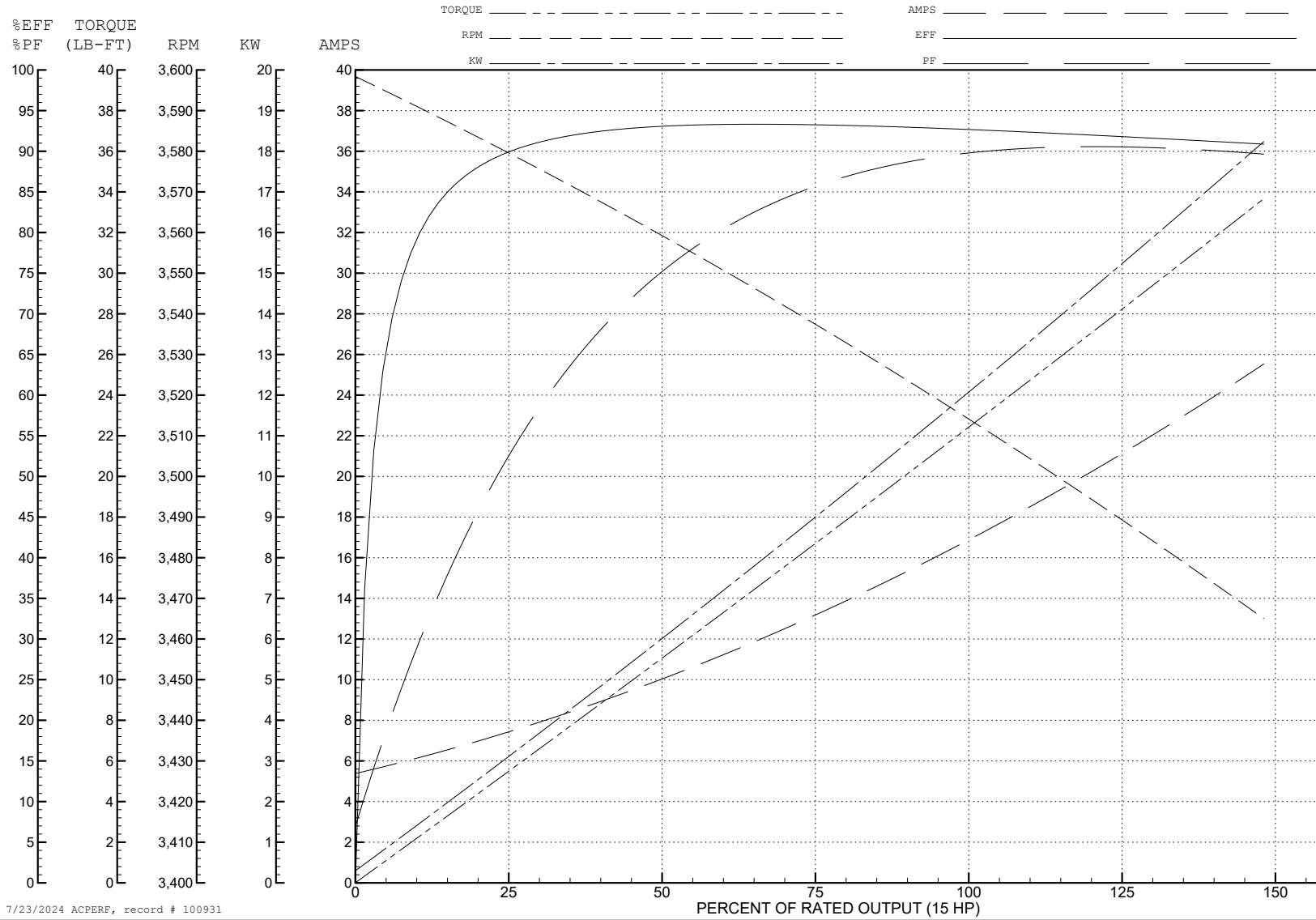
ABB Motors and Mechanical Inc.

WINDING # 37WGR601

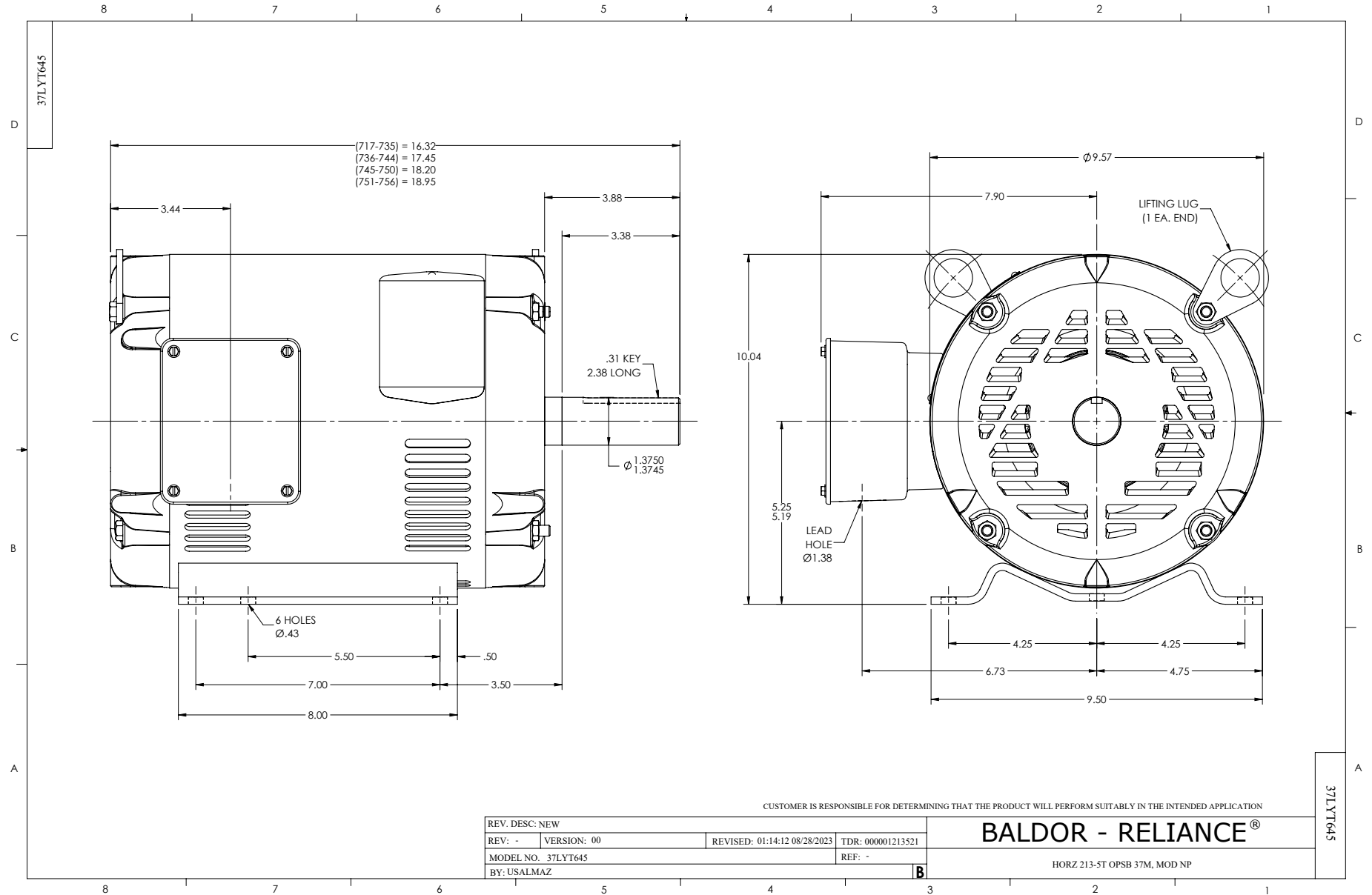
Typical performance - not guaranteed values.

15 HP 3 PH 60 HZ 3515 RPM 460 V 3756M

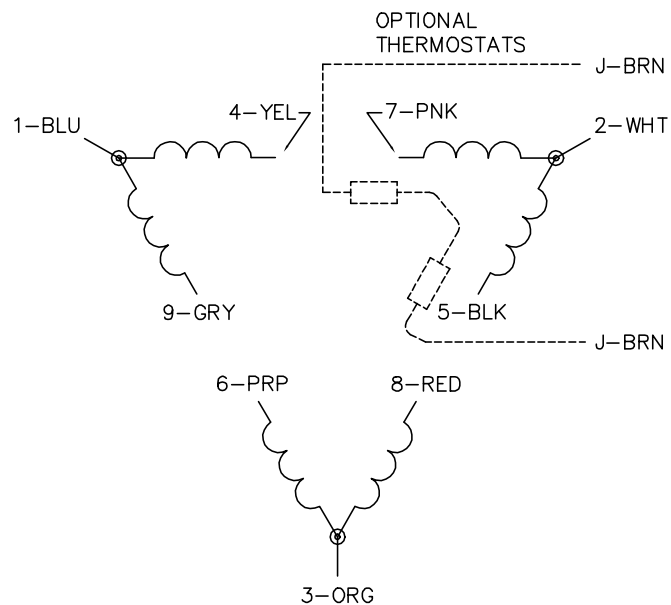
TORQUES (LB-FT): PO=112 PU=43.2 LR=62 LRA=161



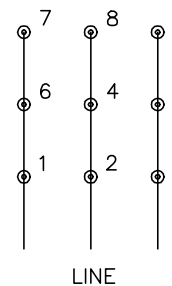
7/23/2024 ACPERF, record # 100931



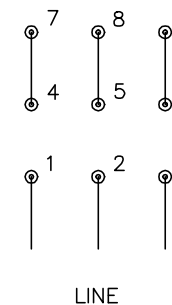
CD0180



LOW VOLTAGE
(2D)



HIGH VOLTAGE
(1D)



NOTES:

1. INTERCHANGE ANY TWO LINE LEADS TO REVERSE ROTATION.
2. OPTIONAL THERMOSTATS ARE PROVIDED WHEN SPECIFIED.
3. ACTUAL NUMBER OF INTERNAL PARALLEL CIRCUITS MAY BE A MULTIPLE OF THOSE SHOWN ABOVE.
4. LEAD COLORS ARE OPTIONAL. LEADS MUST ALWAYS BE NUMBERED AS SHOWN.

CD0180

REV. DESC: ADD CLASS CONN00000007		
REV. LTR: D	VERSION: 01	TDR: 000001099922
FILE: \AAA\00005\148	REVISED: 10: 25: 29 02/19/2019	BY: ENBRIRO
MTL: -	© □	

BALDOR - RELIANCE®

3PH, DV, 9 LEADS, DELTA CONNECTION

SH 1 of 1