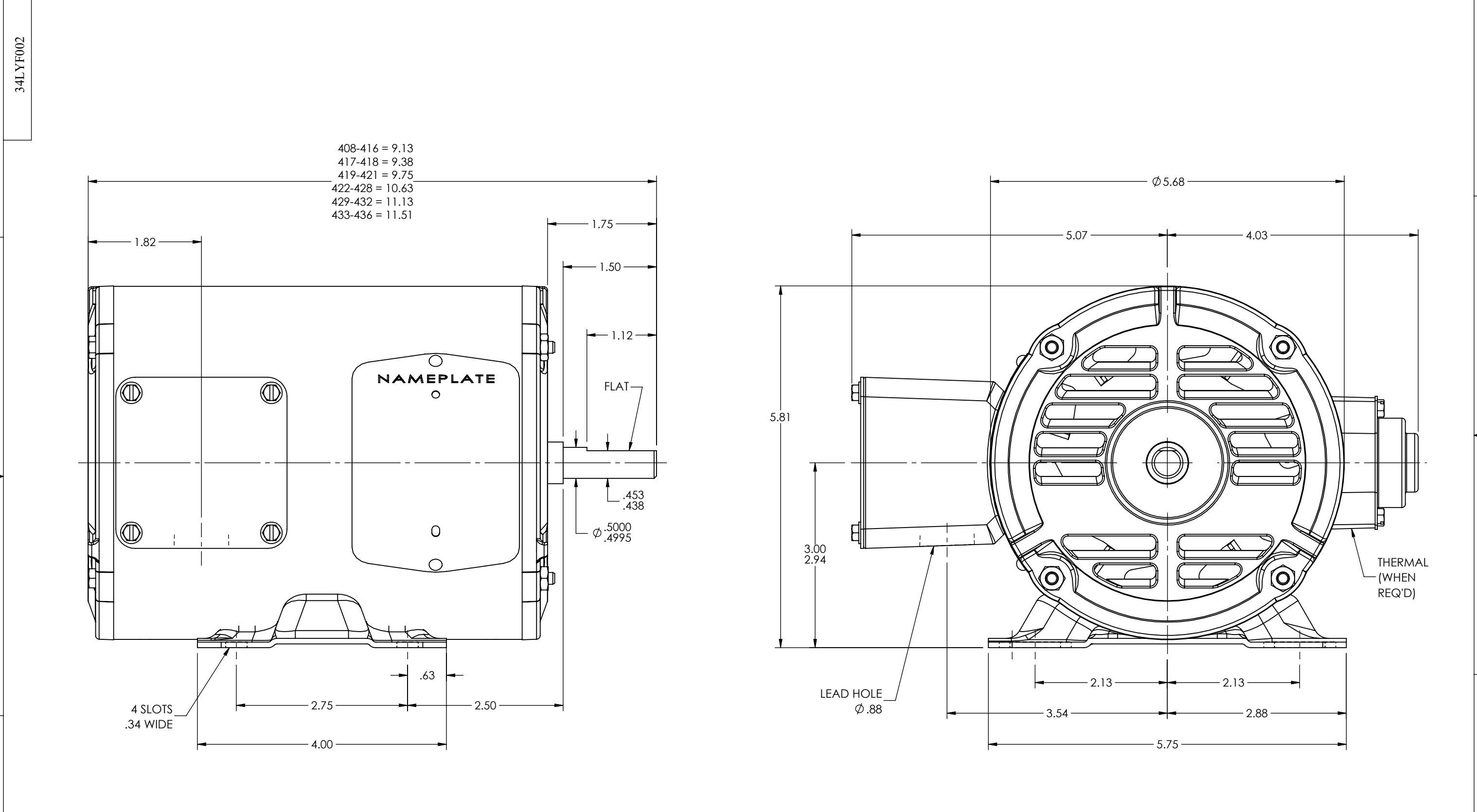


8 7 6 5 4 3 2 1



CUSTOMER IS RESPONSIBLE FOR DETERMINING THAT THE PRODUCT WILL PERFORM SUITABLY IN THE INTENDED APPLICATION

REV. DESC: CLEAN UP DIMENSIONING			
REV: M	VERSION: 03	REVISED: 10:07:04 04/15/2025	TDR: 000001253803
MODEL NO. 34LYF002			REF: -
BY: ENJEFD0			<b>B</b>

**BALDOR - RELIANCE®**

STD HORZ MODEL 34M NEMA 48 OPEN

A

34LYF002

8 7 6 5 4 3 2 1