



---

# Customer information packet

## SPM2513T

15HP, 1770RPM, 3PH, 60HZ, 254T, 3958M, OPSB, F1

Class - None

Division - Not Applicable

## Specifications

Enclosure	OPSB
Frame	254T
Frame Material	Steel
Frequency	60.00 Hz
Haz Area Class and Group	None
Haz Area Division	Not Applicable
Motor Letter Type	Three Phase
Output @ Frequency	15.000 HP @ 60 HZ
Phase	3
Synchronous Speed @ Frequency	1800 RPM @ 60 HZ
Voltage @ Frequency	230.0 V @ 60 HZ 460.0 V @ 60 HZ
Agency Approvals	CURUSEEV NEMA PREMIUM WEEE
Ambient Temperature	40 °C
Auxillary Box	No Auxillary Box
Auxillary Box Lead Termination	None
Base Indicator	Rigid
Bearing Grease Type	Polyrex EM (-20F +300F)
Blower	None
Current @ Voltage	18.300 A @ 460.0 V 36.600 A @ 230.0 V
Design Code	A
Drip Cover	No Drip Cover
Duty Rating	CONT
Efficiency @ 100% Load	93.6 %
Electrically Isolated Bearing	Not Electrically Isolated
Feedback Device	NO FEEDBACK
Front Shaft Indicator	None
Heater Indicator	No Heater
High Voltage Full Load Amps	18.3 a

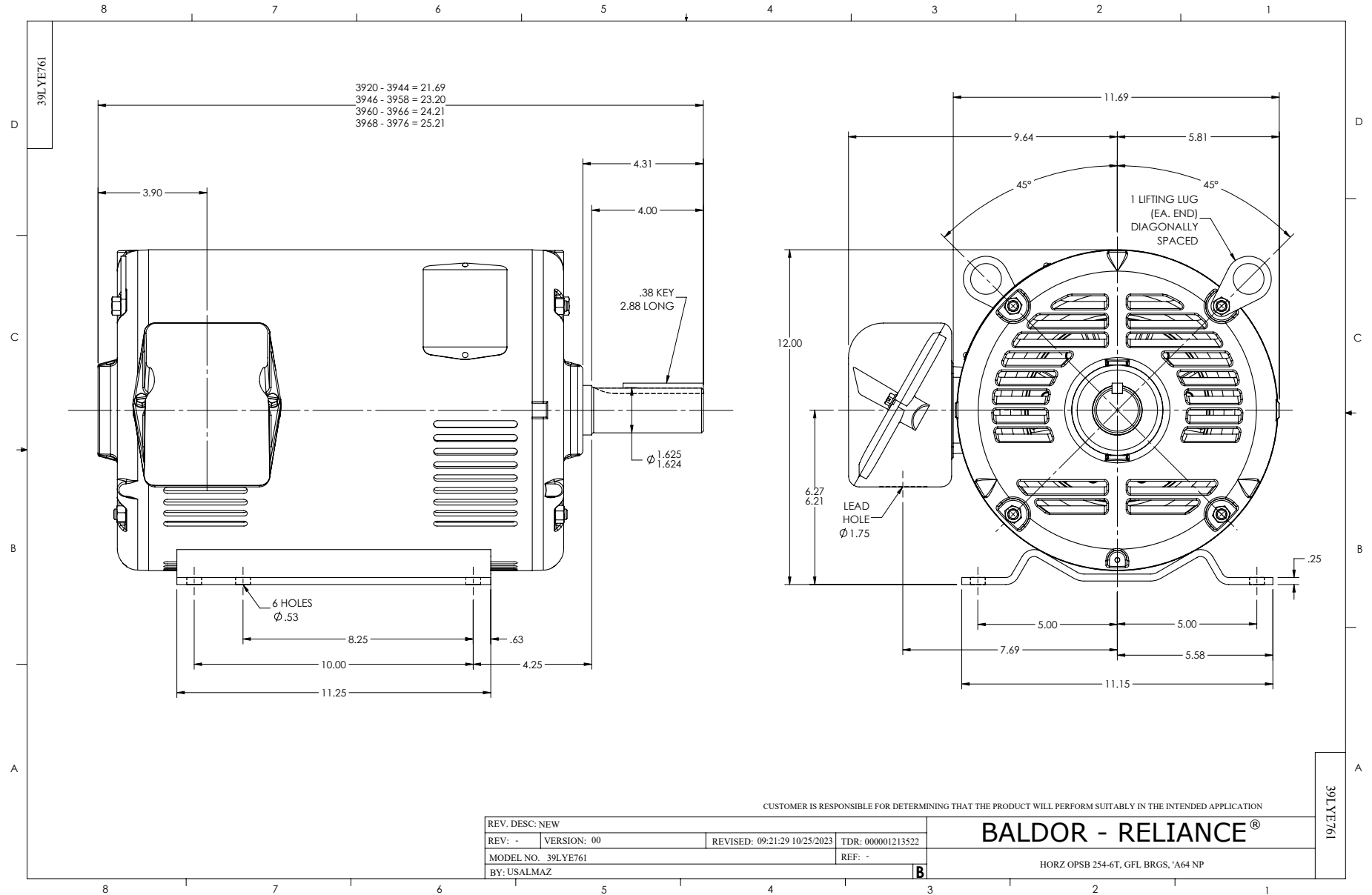
## Part detail

Revision	C
Type	AC
Mech. spec.	39E761
Base	
Status	PRD/A
Elec. spec.	39WGY450
Layout	39LYE761
Eff. date	05-03-2024
CD Diagram	CD0180
Poles	04
Leads	9#12
Proprietary	False
Created date	09-05-2023

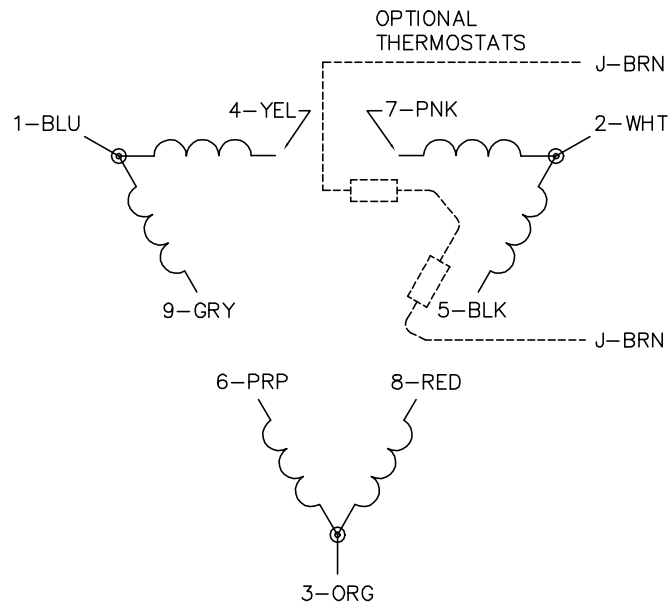
Insulation Class	F
Inverter Code	Inverter Duty
KVA Code	J
Lifting Lugs	Standard Lifting Lugs
Locked Bearing Indicator	No Locked Bearing
Max Speed	2700 rpm
Motor Lead Quantity/Wire Size	9 @ 12 AWG
Motor Lead Termination	Flying Leads
Motor Standards	NEMA
Motor Type	3958M
Mounting Arrangement	F1
Number of Poles	4
Overall Length	23.20 IN
Power Factor	82
Product Family	General Purpose
Pulley End Bearing Type	Ball
Pulley Face Code	Standard
Pulley Shaft Indicator	Standard
Rodent Screen	None
RoHS Status	ROHS COMPLIANT
Service Factor	1.15
Shaft Diameter	1.625 IN
Shaft Ground Indicator	No Shaft Grounding
Shaft Rotation	Reversible
Shaft Slinger Indicator	No Slinger
Speed	1770 rpm
Speed Code	Single Speed
Starting Method	Direct on line
Thermal Device - Bearing	None
Thermal Device - Winding	None
Vibration Sensor Indicator	No Vibration Sensor
Winding Thermal 1	None
Winding Thermal 2	None

**Nameplate**

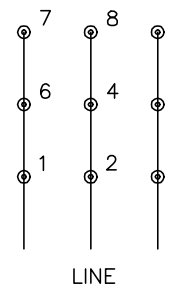
NP4423A01A05L									
<b>CAT #</b>	SPM2513T			<b>WGT</b>	290	<b>LBS</b>			
<b>SPEC</b>	39E761Y450			<b>ENCL</b>	OPSB				
<b>SER #</b>				<b>CC</b>	010A	<b>IP</b>	22		
<b>HP</b>	15	<b>MAG CUR</b>	15.2/7.6						
<b>VOLTS</b>	230/460			<b>NEMA NOM. EFF</b>	93.6				
<b>AMPS</b>	36.6/18.3			<b>PF</b>	82				
<b>RATING</b>	40C AMB-CONT								
<b>RPM</b>	1770			<b>MAX RPM</b>	2700				
<b>FRAME</b>	254T	<b>HZ</b>	60	<b>CODE</b>	J	<b>CLASS</b>	F		
<b>SER.F.</b>	1.15	<b>SF AMP</b>	42/21	<b>PH</b>	3	<b>DES</b>	A		
<b>DE</b>	6309	<b>ODE</b>	6208						
<b>LUBRICATION</b>	POLYREX EM								
<b>ID LOGO</b>	<b>INVERTER TYPE</b>	<b>VPWM</b>	<b>CHP</b>	60	<b>TO</b>	90	1.5:1		
<b>ID LOGO</b>	<b>WK2</b>	2.54	<b>CT</b>	6	<b>TO</b>	60	10:1		
<b>ID LOGO</b>	<b>SL HZ</b>	1	<b>VT</b>	3	<b>TO</b>	60	20:1		
				<b>QR</b>					
<b>YR</b>									



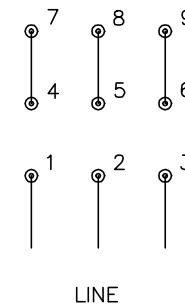
CD0180



LOW VOLTAGE  
(2D)



HIGH VOLTAGE  
(1D)



NOTES:

1. INTERCHANGE ANY TWO LINE LEADS TO REVERSE ROTATION.
2. OPTIONAL THERMOSTATS ARE PROVIDED WHEN SPECIFIED.
3. ACTUAL NUMBER OF INTERNAL PARALLEL CIRCUITS MAY BE A MULTIPLE OF THOSE SHOWN ABOVE.
4. LEAD COLORS ARE OPTIONAL. LEADS MUST ALWAYS BE NUMBERED AS SHOWN.

CD0180

REV. DESC: ADD CLASS CONN00000007		
REV. LTR: D	VERSION: 01	TDR: 000001099922
FILE: \AAA\00005\148	REVISED: 10: 25: 29 02/19/2019	BY: ENBRIRO
MTL: -	© □	

**BALDOR - RELIANCE®**

3PH, DV, 9 LEADS, DELTA CONNECTION

SH 1 of 1