

BALDOR® • RELIANCE®

Customer information packet

RL1324A

.75HP, 1725RPM, 1PH, 60HZ, 56, 3424L, OPEN, F1

Class - None

Division - Not Applicable

Specifications

Enclosure	OPEN
Frame	56
Frame Material	Steel
Frequency	60.00 Hz
Motor Letter Type	Cap Start, Induction Run
Output @ Frequency	.750 HP @ 60 HZ
Phase	1
Synchronous Speed @ Frequency	1800 RPM @ 60 HZ
Voltage @ Frequency	115.0 V @ 60 HZ 230.0 V @ 60 HZ
XP Class and Group	None
XP Division	Not Applicable
Agency Approvals	UR CSA
Ambient Temperature	40 °C
Auxillary Box	No Auxillary Box
Auxillary Box Lead Termination	None
Base Indicator	Resilient
Bearing Grease Type	Polyrex EM (-20F +300F)
Blower	None
Current @ Voltage	10.800 A @ 115.0 V 5.400 A @ 230.0 V
Design Code	N
Drip Cover	No Drip Cover
Duty Rating	CONT
Efficiency @ 100% Load	71.0 %
Electrically Isolated Bearing	Not Electrically Isolated
Feedback Device	NO FEEDBACK
Front Face Code	Resilient Mount
Front Shaft Indicator	None
Heater Indicator	No Heater
High Voltage Full Load Amps	5.4 a

Part detail

Revision	AR
Type	AC
Mech. spec.	34K018
Base	
Status	PRD/A
Elec. spec.	34WGW168
Layout	34LYK018
Eff. date	05-31-2022
CD Diagram	CD0052
Poles	04
Leads	6#18,1#14 #1TH
Proprietary	False
Created date	01-01-0001

Insulation Class	B
Inverter Code	Not Inverter
KVA Code	G
Lifting Lugs	No Lifting Lugs
Locked Bearing Indicator	No Locked Bearing
Motor Lead Exit	Terminal Panel
Motor Lead Quantity/Wire Size	6 @ 18 AWG
Motor Lead Termination	Flying Leads
Motor Standards	NEMA
Motor Type	3424L
Mounting Arrangement	F1
Number of Poles	4
Overall Length	12.47 IN
Power Factor	71
Product Family	General Purpose
Pulley End Bearing Type	Ball
Pulley Face Code	Resilient Mount
Pulley Shaft Indicator	Standard
Rodent Screen	None
Service Factor	1.00
Shaft Diameter	0.625 IN
Shaft Extension Location	Pulley End
Shaft Ground Indicator	No Shaft Grounding
Shaft Rotation	Reversible: Connected Standard
Shaft Slinger Indicator	No Slinger
Speed	1725 rpm
Speed Code	Single Speed
Starting Method	Direct on line
Thermal Device - Bearing	None
Thermal Device - Winding	None
Vibration Sensor Indicator	No Vibration Sensor
Winding Thermal 1	Automatic Thermal Overload
Winding Thermal 1 Location	SB
Winding Thermal 2	None

Nameplate

NP1257L									
CAT.NO.	RL1324A								
SPEC.	34K18W168								
HP	.75								
VOLTS	115/230								
AMP	10.8/5.4								
RPM	1725								
FRAME	56			HZ	60		PH	1	
SER.F.	1.00	CODE	G	DES	N	CL	B		
NEMA-NOM-EFF	71	PF	71						
RATING	40C AMB-CONT								
CC				USABLE AT 208V					
DE	6203	ODE	6203						
ENCL	OPEN	SN							

AC Induction Motor Performance Data

Record # 6903

Typical performance - not guaranteed values

Winding: 34WGW168-R001		Type: 3424L	Enclosure: OPEN		
Nameplate Data			230 V, 60 Hz: High Voltage Connection		
Rated Output (HP)	.75	Full Load Torque	2.26 LB-FT		
Volts	115/230	Start Configuration	direct on line		
Full Load Amps	10/5	Breakdown Torque	4.7 LB-FT		
R.P.M.	1725	Pull-up Torque	3 LB-FT		
Hz	60 Phase	1	Locked-rotor Torque	3.8 LB-FT	
NEMA Design Code	N	KVA Code	G	Starting Current	19.5 A
Service Factor (S.F.)			1	No-load Current	3.9 A
NEMA Nom. Eff.	71	Power Factor	71	Line-line Res. @ 25°C	2.99 Ω A Ph 1.58 Ω B Ph
Rating - Duty		40C AMB-CONT		Temp. Rise @ Rated Load	78°C

Load Characteristics 230 V, 60 Hz, 0.75 HP

% of Rated Load	25	50	75	100	125	150
Power Factor	37	51	64	74	79	83
Efficiency	45.1	57.2	62.1	63.3	62.7	59.9
Speed	1778	1764	1745	1724	1701	1669
Line amperes	4	4.3	4.6	5.2	6	6.9

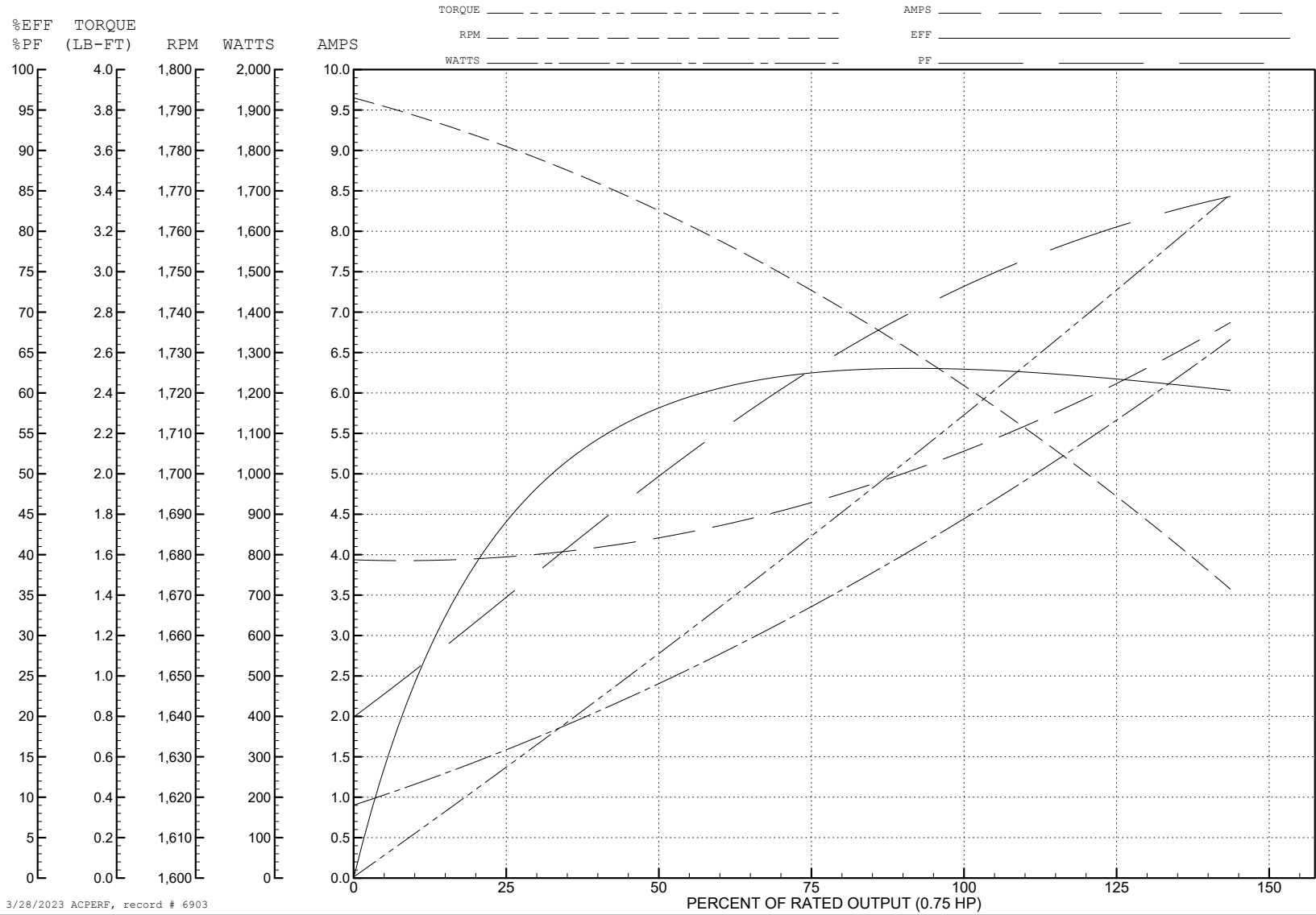
ABB Motors and Mechanical Inc.

WINDING # 34WGW168

0.75 HP 1 PH 60 HZ 1725 RPM 230 V 3424L

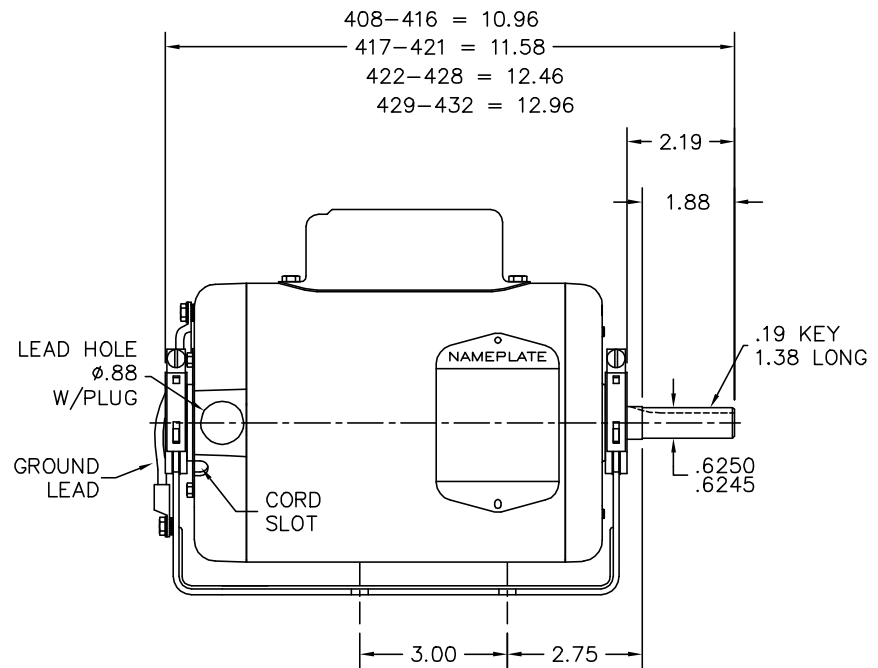
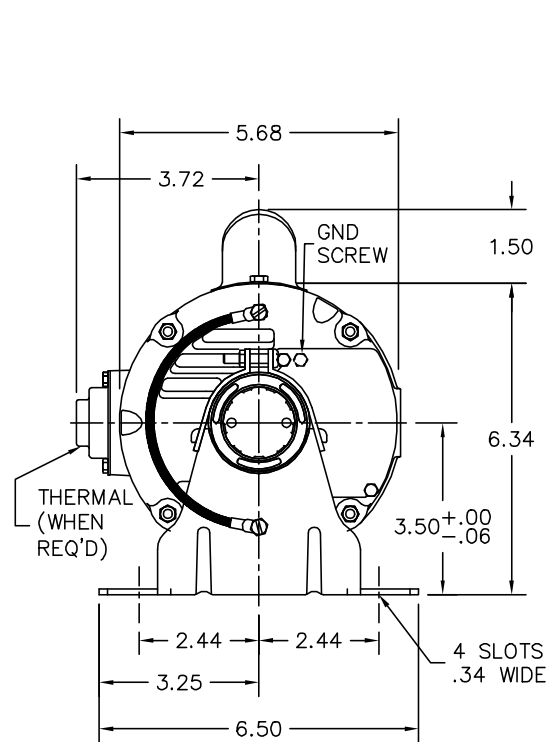
Typical performance - not guaranteed values.

TORQUES (LB-FT): PO=4.7 PU=3 LR=3.8 LRA=19.5



3/28/2023 ACPERF, record # 6903

34LYK018



CUSTOMER IS RESPONSIBLE FOR DETERMINING THAT BALDOR'S PRODUCT WILL PERFORM SUITABLY IN THE INTENDED APPLICATION.

REV. DESC: UPDATED LAYOUT		
REV. LTR: C	VERSION: 01	TDR: 000000789644
FILE: \AAA\00012\624	REVISED: 03:25:52 03/19/2013	
MTL: -	BY: ENBENB0	

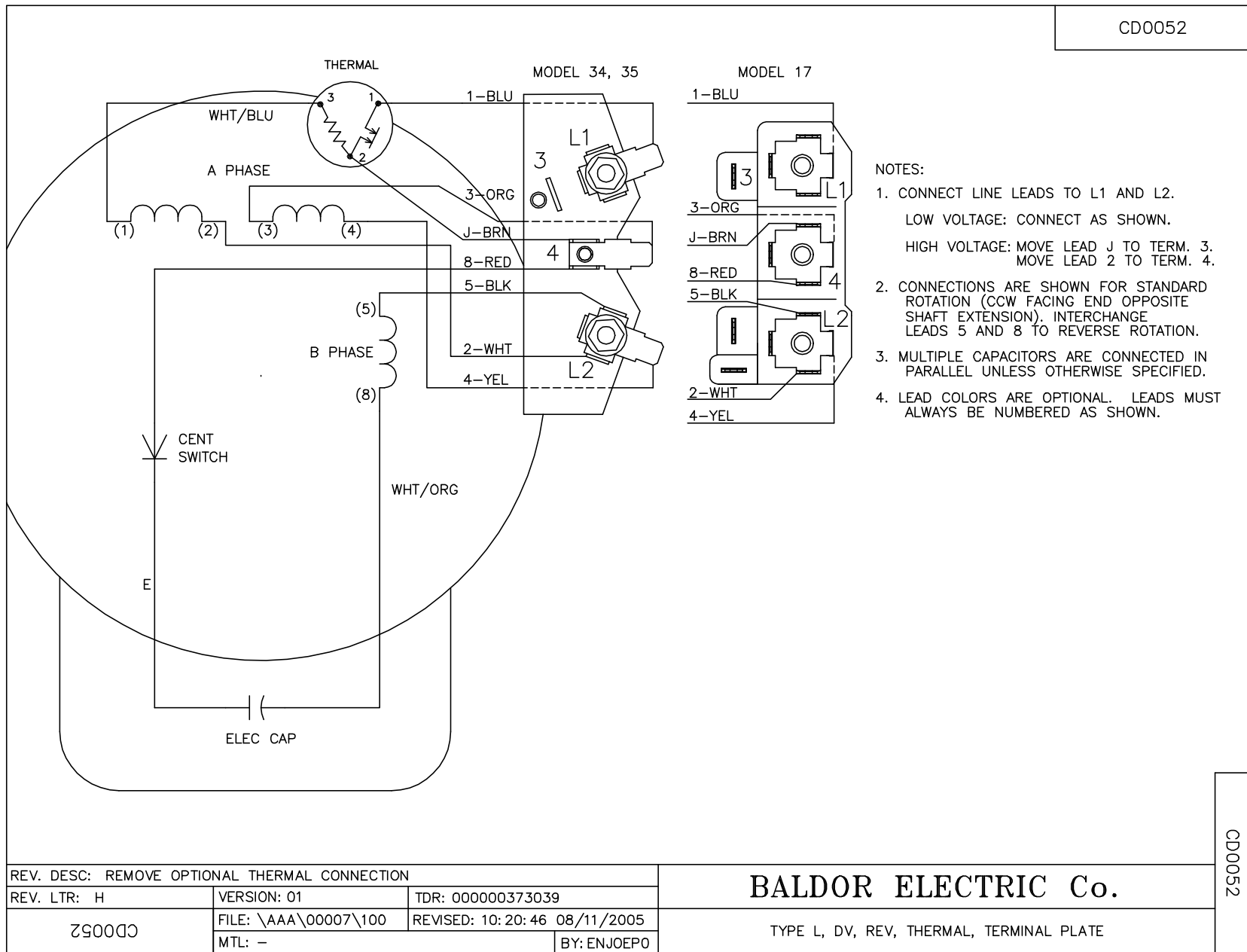
BALDOR

STD RESIL MTD 34L NEMA 56 OPEN W/TERM PLATE

SH 1 of 1

34LYK018

CD0052



CD0052