



Customer information packet

PSC3524A

.5HP, 1625RPM, 1PH, 60HZ, 48Z, 3418C, TEAO, F1

Class - None

Division - Not Applicable

Specifications

Enclosure	TEAO
Frame	48Z
Frame Material	Steel
Frequency	60.00 Hz
Haz Area Class and Group	None
Haz Area Division	Not Applicable
Motor Letter Type	Oil Capacitor Start and Run
Output @ Frequency	.500 HP @ 60 HZ
Phase	1
Synchronous Speed @ Frequency	1800 RPM @ 60 HZ
Voltage @ Frequency	115.0 V @ 60 HZ 230.0 V @ 60 HZ
Agency Approvals	UR CSA
Ambient Temperature	40 °C
Auxillary Box	No Auxillary Box
Auxillary Box Lead Termination	None
Base Indicator	Rigid
Bearing Grease Type	Polyrex EM (-20F +300F)
Blower	None
Current @ Voltage	3.000 A @ 230.0 V 6.000 A @ 115.0 V
Drip Cover	No Drip Cover
Duty Rating	CONT
Efficiency @ 100% Load	65.0 %
Electrically Isolated Bearing	Not Electrically Isolated
Feedback Device	NO FEEDBACK
Front Face Code	Terminal Panel
Front Shaft Indicator	None
Heater Indicator	No Heater
High Voltage Full Load Amps	3.0 a
Insulation Class	B

Part detail

Revision	T
Type	AC
Mech. spec.	34G144
Base	
Status	PRD/A
Elec. spec.	34WGW538
Layout	34LYG144
Eff. date	09-18-2023
CD Diagram	CD0028
Poles	04
Leads	7#18
Proprietary	False
Created date	01-01-0001

Inverter Code	Not Inverter
KVA Code	-
Lifting Lugs	No Lifting Lugs
Locked Bearing Indicator	No Locked Bearing
Motor Lead Exit	Terminal Panel Or Lead Hole
Motor Lead Quantity/Wire Size	7 @ 18 AWG
Motor Lead Termination	Flying Leads
Motor Standards	NEMA
Motor Type	3418C
Mounting Arrangement	F1
Number of Poles	4
Overall Length	11.96 IN
Power Factor	81
Product Family	General Purpose
Pulley End Bearing Type	Ball
Pulley Face Code	Standard
Pulley Shaft Indicator	Standard
Rodent Screen	None
Service Factor	1.00
Shaft Diameter	0.500 IN
Shaft Extension Location	Pulley End
Shaft Ground Indicator	No Shaft Grounding
Shaft Rotation	Reversible
Shaft Slinger Indicator	No Slinger
Speed	1625 rpm
Speed Code	Single Speed
Starting Method	Direct on line
Thermal Device - Bearing	None
Thermal Device - Winding	None
Vibration Sensor Indicator	No Vibration Sensor
Winding Thermal 1	Automatic Thermal Overload
Winding Thermal 1 Location	SB

Nameplate

NP1257L									
CAT.NO.	PSC3524A								
SPEC.	34G144W538								
HP	.5 AIR OVER								
VOLTS	115/230								
AMP	6/3								
RPM	1625								
FRAME	48Z			HZ	60		PH	1	
SER.F.	1.00	CODE	-	DES	-	CL	B		
NEMA-NOM-EFF	65	PF	81						
RATING	40C AMB-CONT								
CC									
DE	6203	ODE	6203						
ENCL	TEAO	SN							

AC Induction Motor Performance Data

Record # 7013

Typical performance - not guaranteed values

Winding: 34WGW538-R001		Type: 3418C		Enclosure: TEAO	
Nameplate Data			230 V, 60 Hz: High Voltage Connection		
Rated Output (HP)	.5 AIR OVER		Full Load Torque	1.6 LB-FT	
Volts	115/230		Start Configuration	direct on line	
Full Load Amps	6/3		Breakdown Torque	2.4 LB-FT	
R.P.M.	1625		Pull-up Torque	0.6 LB-FT	
Hz	60 Phase	1	Locked-rotor Torque	0.8 LB-FT	
NEMA Design Code	- KVA Code	-	Starting Current	1.5 A	
Service Factor (S.F.)	1		No-load Current	1.4 A	
NEMA Nom. Eff.	65 Power Factor	81	Line-line Res. @ 25°C	6.28 Ω A Ph 16 Ω B Ph	
Rating - Duty	40C AMB-CONT		Temp. Rise @ Rated Load		

Load Characteristics 230 V, 60 Hz, 0.5 HP

% of Rated Load	25	50	75	100	125
Power Factor	58	72	81	87	90
Efficiency	44.3	60.9	67.2	67.9	63.3
Speed	1758	1720	1675	1615	1521
Line amperes	1.6	1.85	2.25	2.75	3.55

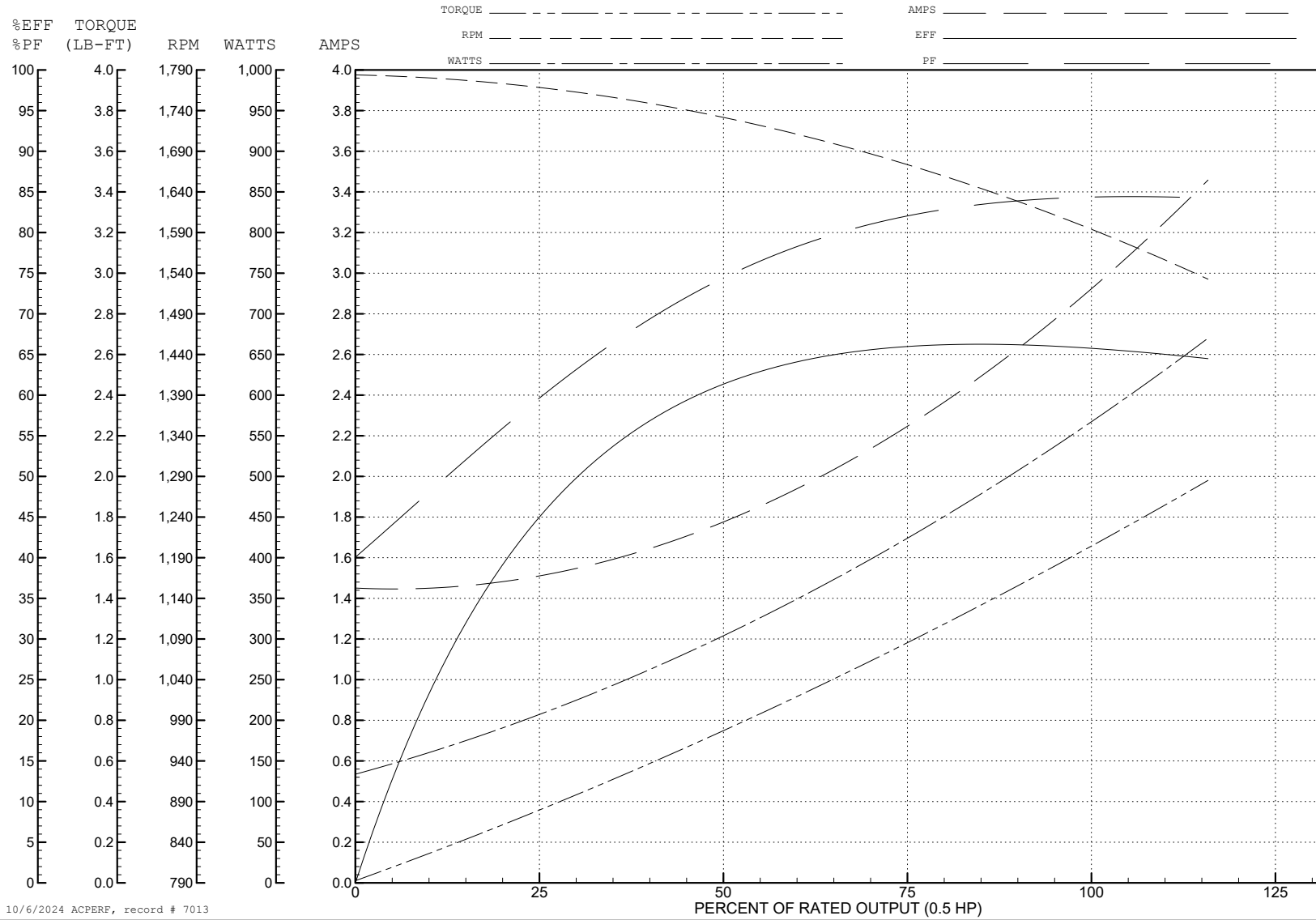
ABB Motors and Mechanical Inc.

WINDING # 34WG538

Typical performance - not guaranteed values.

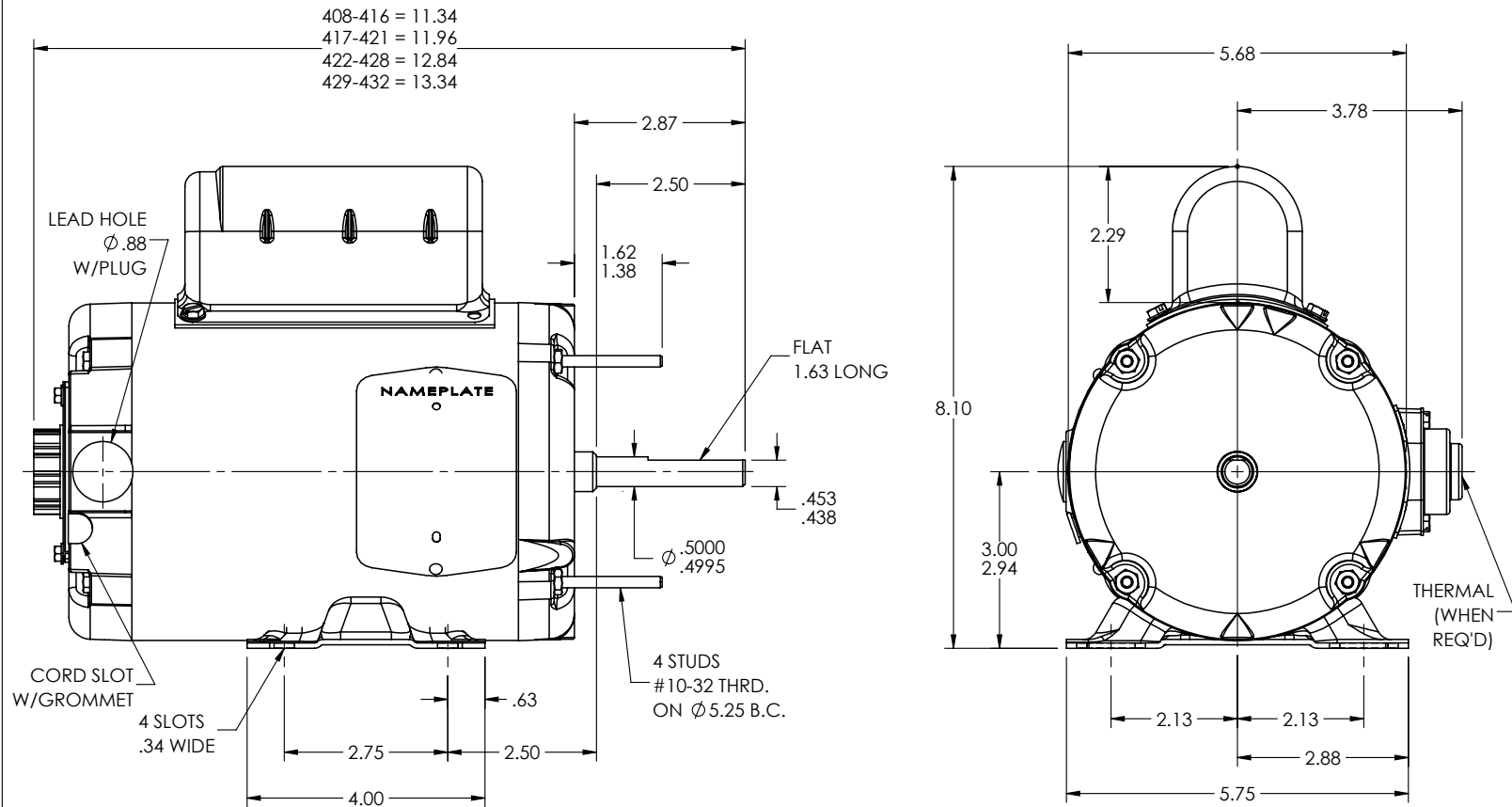
0.5 HP 1 PH 60 HZ 1625 RPM 230 V 3418C

TORQUES (LB-FT): PO=2.4 PU=0.6 LR=0.8 LRA=1.5



10/6/2024 ACPERF, record # 7013

34LYG144



CUSTOMER IS RESPONSIBLE FOR DETERMINING THAT THE PRODUCT WILL PERFORM SUITABLY IN THE INTENDED APPLICATION

REV. DESC: LOAD TO SOLIDWORKS - REV E

REV: F	VERSION: 02	REVISED: 10:15:24 03/15/2023	TDR: 000001201165
--------	-------------	------------------------------	-------------------

34LYG144

MODEL NO. 34LYG144
 BY: ENFRAJ0

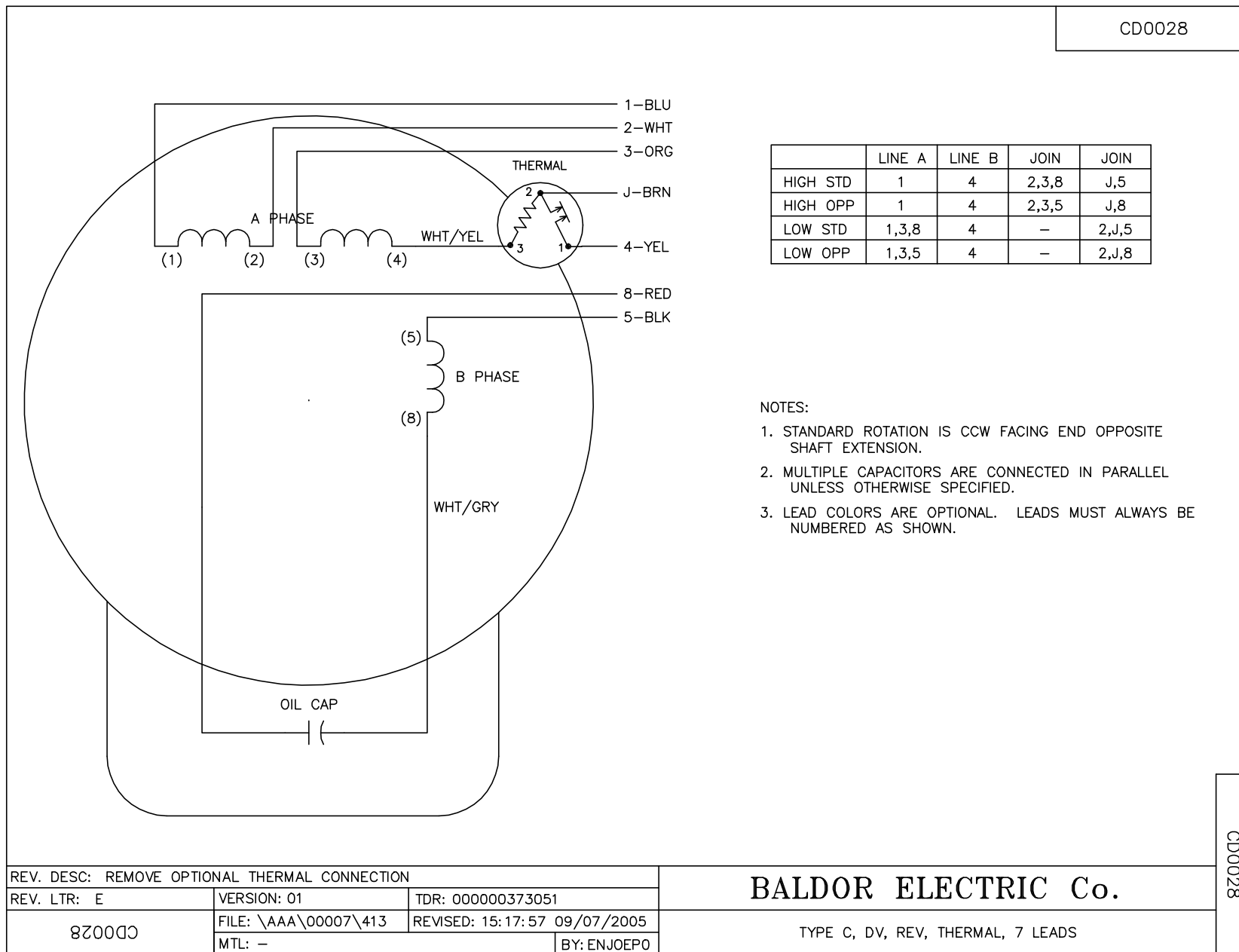
REF: -

BALDOR - RELIANCE®

HORZ MODEL 34C NEMA 48Z TENV W/EXTENDED T-BOLTS & TERM PANEL

34LYG144

CD0028



REV. DESC: REMOVE OPTIONAL THERMAL CONNECTION		
REV. LTR: E	VERSION: 01	TDR: 000000373051
8Z00D0	FILE: \AAA\00007\413	REVISED: 15:17:57 09/07/2005
	MTL: -	BY: ENJOEPO

BALDOR ELECTRIC Co.

TYPE C, DV, REV, THERMAL, 7 LEADS

CD0028