

BALDOR • RELIANCE

Customer information packet

P36G4671

60HP, 1780RPM, 3PH, 60HZ, 364T, A36042M, TEFC

Class - None

Division - Not Applicable

Specifications

Enclosure	TEFC
Frame	364T
Frame Material	Iron
Frequency	60.00 Hz
Haz Area Class and Group	None
Haz Area Division	Not Applicable
Motor Letter Type	Three Phase
Output @ Frequency	60.000 HP @ 60 HZ
Phase	3
Synchronous Speed @ Frequency	1800 RPM @ 60 HZ
Voltage @ Frequency	230.0 V @ 60 HZ 460.0 V @ 60 HZ
Agency Approvals	CSA EEV CCSA US
Ambient Temperature	40 °C
Auxillary Box	No Auxillary Box
Base Indicator	Rigid
Bearing Grease Type	Polyrex EM (-20F +300F)
Current @ Voltage	73.400 A @ 460.0 V 146.000 A @ 230.0 V
Design Code	B
Drip Cover	No Drip Cover
Duty Rating	CONT
Efficiency @ 100% Load	93.6 %
Feedback Device	NO FEEDBACK
Heater Indicator	No Heater
High Voltage Full Load Amps	73.4 a
Insulation Class	F
Inverter Code	Not Inverter
KVA Code	G
Lifting Lugs	No Lifting Lugs
Motor Lead Quantity/Wire Size	12 @ 6 AWG

Part detail

Revision	L
Type	AC
Mech. spec.	
Base	
Status	INA/A
Elec. spec.	A36WG0845
Layout	611740-001-SH1
Eff. date	03-03-2021
CD Diagram	416820-020
Poles	04
Leads	12#6
Proprietary	False
Created date	10-19-2010

Motor Standards	NEMA
Motor Type	A36042M
Mounting Arrangement	F1
Number of Poles	4
Overall Length	33.44 IN
Power Factor	82
Pulley End Bearing Type	Ball
Pulley Face Code	Standard
Service Factor	1.15
Shaft Diameter	2.374 IN
Shaft Ground Indicator	No Shaft Grounding
Shaft Rotation	Reversible
Shaft Slinger Indicator	No Slinger
Speed	1780 rpm
Speed Code	Single Speed
Starting Method	Direct on line
Thermal Device - Bearing	None
Thermal Device - Winding	None

Nameplate

NP2531L									
CAT.NO.		SPEC NO.	P36G4671			FRAME	364T		
HP	60	PHASE	3	DESIGN	B	TYPE	P		
RPM	1780	HZ	60	AMB	40	SF	1.15		
VOLTS	230/460	DUTY	CONT		INSUL.CLASS	F			
AMPS	146/73.4	ENCL	TEFC	CODE	G				
DRIVE END BEARING	65BC03J30X		NEMA-NOM-EFFICIENCY			93.6			
OPP D.E. BEARING	65BC03J30X								
	SUIT FOR 208V AT 155 AMPS				NOT FOR USE IN THE US				
SER.NO.		MOTOR WEIGHT							

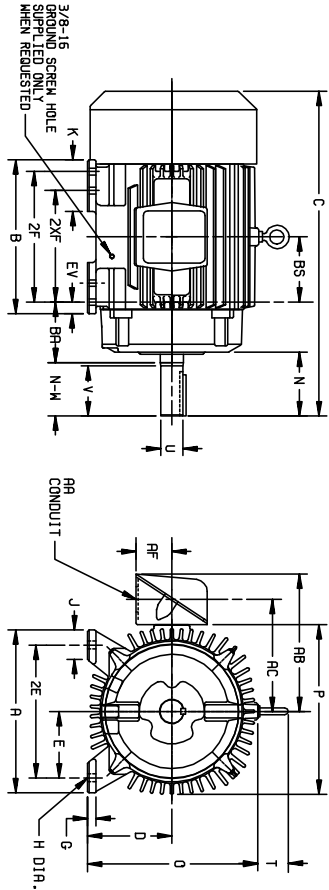
611740-001-SH1

DUTY MASTER ALTERNATING CURRENT MOTORS
SQUIRREL-CAGE INDUCTION

ENCLOSURE: TOTALLY ENCLOSED
MOUNTING: FOOT

COOLING: FAN COOLED

FRAMES 250T THRU 440T



DIMENSIONS ARE IN INCHES; SEE SHEET 2 FOR DIMENSIONS IN MILLIMETERS

FRAME SIZE	A	D(2)	E	G	H	J	K	O	P	T	AA	AB	AC	AF	BA	EV
254T-256T	12.50	6.25	5.00	7.5	56	2.50	---	13.25	13.25	2.44	1-1/4	10.75	8.75	2.50	4.25	1.00
284T-296T5	13.75	7.00	5.50	7.5	56	2.50	---	14.75	14.88	2.44	1-1/2	12.75	10.00	3.19	4.75	1.00
324T-326T5	15.50	8.00	6.25	8.8	69	2.75	4.50	16.89	17.00	2.44	2	15.19	11.44	4.25	5.25	1.58
364T-365T5	17.00	9.00	7.00	8.8	69	2.75	3.88	18.50	19.50	2.94	3	18.08	14.00	5.38	5.88	1.58
404T-405T5	19.00	10.00	8.00	11.2	81	3.25	4.62	21.51	22.50	2.94	3	19.51	15.25	5.38	6.62	1.13
444T-445T5	21.00	11.00	9.00	11.2	81	3.25	5.25	23.38	25.25	3.25	3	23.38	18.12	6.50	7.50	1.25

FRAME SIZE	C	BS	B	2F	N	SHAFT AND KEY		WEIGHT LBS. (5)				
						N-W(6) U(3)	V					
254T	24.56	5.00	12.00	---	8.25	4.12	4.00	1.625	3.75	3.75	2.88	3.05
256T	24.56	5.00	12.00	10.00	---	4.12	4.00	1.625	3.75	3.75	2.88	3.15
284T	27.44	5.50	13.00	---	9.50	5.00	4.62	1.875	4.38	5.00	3.25	4.35
284T5	26.06	5.50	13.00	---	9.50	3.82	3.25	1.625	3.00	3.75	1.98	4.35
296T	27.44	5.50	13.00	11.00	---	5.00	4.62	1.875	4.38	5.00	3.25	4.50
296T5	26.06	5.50	13.00	11.00	---	3.82	3.25	1.625	3.00	3.75	1.98	4.50
324T	30.44	6.00	14.75	---	10.50	5.62	5.25	2.125	5.00	5.00	3.88	5.40
324T5	28.94	6.00	14.75	12.00	---	4.12	3.75	1.875	3.50	5.00	3.88	5.40
326T	28.94	6.00	14.75	12.00	---	4.12	3.75	1.875	3.50	5.00	2.00	5.80
326T5	28.94	6.00	14.75	12.00	---	4.12	3.75	1.875	3.50	5.00	2.00	5.80
364T	33.44	6.12	15.00	---	11.25	6.25	5.88	2.375	5.62	6.25	4.25	6.00
364T5	31.31	6.12	15.00	12.25	---	4.12	3.75	1.875	3.50	5.00	2.00	7.94
365T	33.44	6.12	15.00	---	11.25	6.25	5.88	2.375	5.62	6.25	4.25	6.00
365T5	31.31	6.12	15.00	12.25	---	4.12	3.75	1.875	3.50	5.00	2.00	8.34
404T	38.31	6.88	16.00	---	12.25	7.50	7.25	2.875	7.00	7.50	5.62	11.20
404T5	35.31	6.88	16.00	13.75	---	4.12	3.75	1.875	3.50	5.00	2.75	11.11
405T	38.31	6.88	16.00	---	12.25	7.50	7.25	2.875	7.00	7.50	5.62	11.20
405T5	35.31	6.88	16.00	13.75	---	4.12	3.75	1.875	3.50	5.00	2.75	11.51
444T	44.62	8.25	19.00	---	14.50	8.94	8.50	3.375	8.25	8.75	6.88	15.40
444T5	40.88	8.25	19.00	16.50	---	4.12	3.75	1.875	3.50	5.00	3.00	15.24
445T	44.62	8.25	19.00	---	14.50	8.94	8.50	3.375	8.25	8.75	6.88	17.30
445T5	40.88	8.25	19.00	16.50	---	4.12	3.75	1.875	3.50	5.00	3.00	17.14

- (1) SPECIAL DIMENSIONS APPLYING TO THIS ORDER ON THIS LINE.
- (2) "D" VARIES UP TO 1.625 DIA. +.000, -.03.
- (3) "U" VARIES UP TO 1.625 DIA. +.0000, -.0005.
- (4) ALL FRAMES HAVE EIGHT MOUNTING HOLES FOR DUAL MOUNTING.
- (5) MOTOR WEIGHTS MAY VARY BY 15% DEPENDING UPON RATING.
- (6) "N-W" VARIES +.00, -.25.

CONDUIT BOX LOCATED ON OPPOSITE SIDE WHEN F-2-W-1, W-4-M-SH-7, OR C-1 MOUNTING IS SPECIFIED.
IF MOUNTING CLEARANCE DETAILS ARE REQUIRED, CONSULT FACTORY.
MAXIMUM PERMISSIBLE SHAFT RUNOUT WHEN MEASURED AT END OF STD. SHAFT EXTENSION IS .002 T.I.R. UP TO AND INCLUDING 1.625 DIA. AND .003 T.I.R. 1.625 DIA. TO 5 INCH DIA.

FRAME _____ TYPE _____ CERTIFIED FOR _____
 ORDER _____ ITEM _____ HP _____ RPM _____ APPROVED BY _____ PH _____ HZ _____ VOLTS _____
 RELIANCE SALES ORDER _____ DATE _____

CUSTOMER IS RESPONSIBLE FOR DETERMINING THAT BALDOR'S PRODUCT WILL PERFORM SUITABLY IN THE INTENDED APPLICATION.

REV. DESC: UPDATE TITLE SHEET 2	VERSION: 02	TDR: 000000498266
REV. LTR: B	FILE: \RAG\00000\167	REVISED: 07: 05: 46 04/29/2009
MTL: -		BY: RAGEC

Baldor • Dodge • Reliance

DIM SHEET 250T THRU 440T

SH 1 of 1

611740-001-SH1

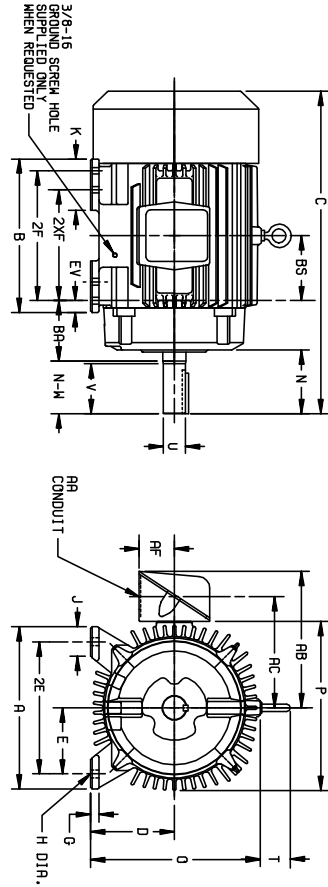
611740-001-SH2

DUTY MASTER ALTERNATING CURRENT MOTORS
SQUIREL-CAGE INDUCTION

ENCLOSURE: TOTALLY ENCLOSED
MOUNTING: FOOT

FRAMES 250T THRU 440T

COOLING: FAN COOLED



DIMENSIONS ARE IN MILLIMETERS. SEE SHEET 1 FOR DIMENSIONS IN INCHES.

FRAME	A	D(2)	E	G	H	J	K	O	P	T	STEEL TERMINAL BOX				EA	EV
254T-256T	317.5	158.8	127.0	19.0	14.2	63.5	---	336.5	336.5	62.0	1-1/4	273.0	222.3	63.5	108.0	25.4
264T-266T	349.2	177.8	139.7	19.0	14.2	63.5	---	374.6	378.0	62.0	1-1/2	323.8	254.0	81.0	120.7	25.4
324T-326T	393.7	203.2	158.8	22.4	17.5	69.9	114.3	423.9	431.8	62.0	2	385.8	290.6	108.0	133.3	35.1
364T-365T	431.8	228.6	177.8	22.4	17.5	69.9	98.6	469.9	495.3	74.7	3	458.7	355.6	136.7	149.4	35.1
404T-405T	482.6	254.0	203.2	28.4	20.6	82.5	117.3	541.3	571.5	74.7	3	490.5	397.3	136.7	168.1	28.7
444T-445T	533.4	279.4	228.6	28.4	20.6	82.5	133.3	593.9	641.3	82.5	3	593.9	460.2	165.1	190.5	31.7

FRAME	C	BS	B	ZF	(4) 2XF	N	N-W(6)	SHAFT AND KEY				LGTH.	WEIGHT
SIZE	G	BS	B	ZF	(4) 2XF	N	N-W(6)	V	SO.	AC	AF	BA	EV
254T	623.8	127.0	304.8	---	209.6	104.6	101.6	41.27	93.3	93.2	73.2	138	138
264T	623.8	127.0	304.8	254.0	---	104.6	101.6	41.27	93.3	93.2	73.2	142	142
284T	697.0	138.7	330.2	---	241.3	127.0	117.3	47.63	111.3	127.0	82.5	197	197
286T	661.9	138.7	330.2	279.4	---	127.0	117.3	47.63	111.3	127.0	82.5	204	204
288T	697.0	138.7	330.2	279.4	---	127.0	117.3	47.63	111.3	127.0	82.5	204	204
288T	661.9	138.7	330.2	279.4	---	127.0	117.3	47.63	111.3	127.0	82.5	204	204
324T	773.2	152.4	374.6	---	266.7	142.7	133.3	53.97	127.0	127.0	86.6	244	244
324T	773.2	152.4	374.6	---	266.7	142.7	133.3	53.97	127.0	127.0	86.6	244	244
326T	773.2	152.4	374.6	---	266.7	142.7	133.3	53.97	127.0	127.0	86.6	244	244
326T	735.1	152.4	374.6	304.8	---	104.6	99.3	47.63	88.9	127.0	80.8	283	283
364T	849.4	155.4	381.0	---	285.7	158.8	149.4	60.33	142.7	158.8	108.0	362	362
364T	849.4	155.4	381.0	---	285.7	158.8	149.4	60.33	142.7	158.8	108.0	362	362
365T	795.3	155.4	381.0	311.1	---	158.8	149.4	60.33	142.7	158.8	108.0	378	378
365T	795.3	155.4	381.0	311.1	---	158.8	149.4	60.33	142.7	158.8	108.0	378	378
404T	973.1	174.8	406.4	---	311.1	190.5	184.1	73.02	177.8	190.5	142.7	508	508
404T	973.1	174.8	406.4	---	311.1	190.5	184.1	73.02	177.8	190.5	142.7	508	508
404T	896.9	174.8	406.4	349.2	---	190.5	184.1	73.02	177.8	190.5	142.7	526	526
405T	973.1	174.8	406.4	---	311.1	190.5	184.1	73.02	177.8	190.5	142.7	508	508
405T	896.9	174.8	406.4	349.2	---	190.5	184.1	73.02	177.8	190.5	142.7	526	526
444T	1133.3	209.6	482.6	---	388.3	227.1	215.9	85.12	209.6	222.2	174.8	691	691
444T	1133.3	209.6	482.6	---	388.3	227.1	215.9	85.12	209.6	222.2	174.8	691	691
445T	1133.3	209.6	482.6	419.1	---	227.1	215.9	85.12	209.6	222.2	174.8	784	784
445T	1038.4	209.6	482.6	419.1	---	131.8	120.7	60.33	114.3	158.8	76.2	777	777

- (1) SPECIAL DIMENSIONS APPLYING TO THIS ORDER ON THIS LINE. CONDUIT BOX LOCATED ON OPPOSITE SIDE WHEN F-2-W-1, W-4-W-5-W-7, OR C-1 MOUNTING IS SPECIFIED.
- (2) "D" VARIES — 250T - 320T +0, -8.
 — 360T - 440T +0, -1.5.
 — UP TO 41.27 DIA. +0.00, -0.13
- (3) "U" VARIES — 41.27 AND LARGER +.00, -.03
- (4) ALL FRAMES HAVE EIGHT MOUNTING HOLES FOR DUAL MOUNTING.
- (5) MOTOR WEIGHTS MAY VARY BY 15% DEPENDING UPON RATING.
- (6) "N-W" VARIES +.0, -6.4.
- (7) DIMENSIONS ARE IN INCHES.

FRAME _____ TYPE _____ CERTIFIED FOR _____
 ORDER _____ ITEM _____ HP _____ RPM _____ PH _____ HZ _____ VOLTS _____
 RELIANCE SALES ORDER _____ APPROVED BY _____ DATE _____

CUSTOMER IS RESPONSIBLE FOR DETERMINING THAT BALDOR'S PRODUCT WILL PERFORM SUITABLY IN THE INTENDED APPLICATION.

REV. DESC: UPDATE TITLE	VERSION: 02	TDR: 000000498266
FILE: \RAG\00000\168	REVISED: 14:03:30 04/28/2009	BY: RAGEC
MTL: -		

Baldor • Dodge • Reliance

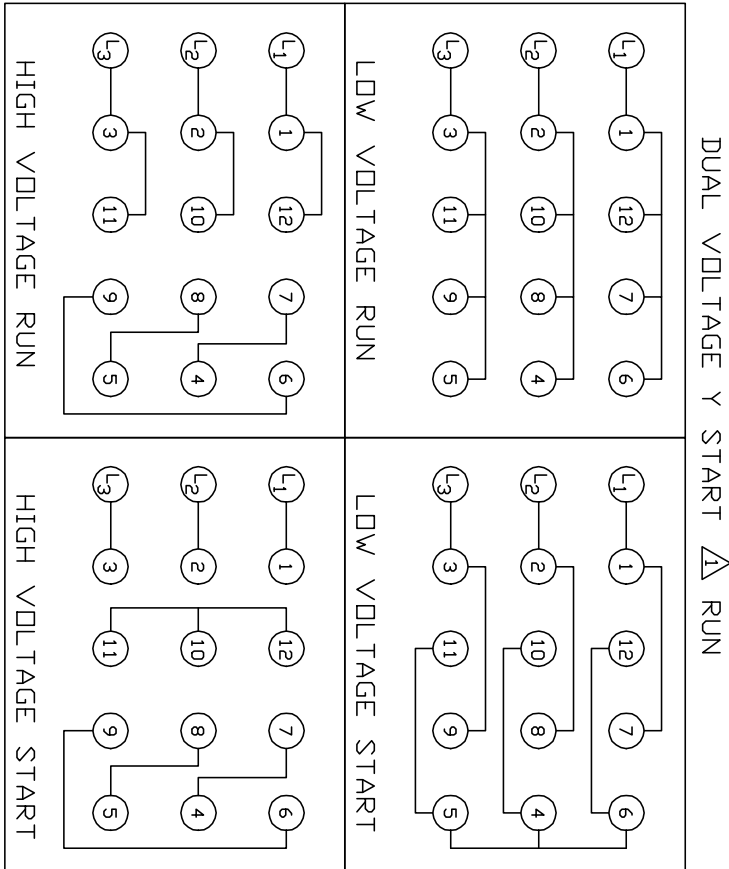
DIM SHEET 250T THRU 440T METRIC
SH 1 of 1

611740-001-SH2

416820-020

A-C MOTOR
CONNECTION DIAGRAM

416820-020



<410961-39 / 1575-AC>

CUSTOMER _____

CUSTOMER
ORDER NO. _____

S. O. NO. _____

REV. DESC: LOADED TO BUS		
REV. LTR: A	VERSION: 01	TDR: 00000553773
FILE: \RAG\00011\270	REVISED: 01:15:19 08/12/2010	
MTL: -	BY: RAGMTC	

BALDOR

A-C MOTOR CONNECTION DIAGRAM

SH 1 of 1