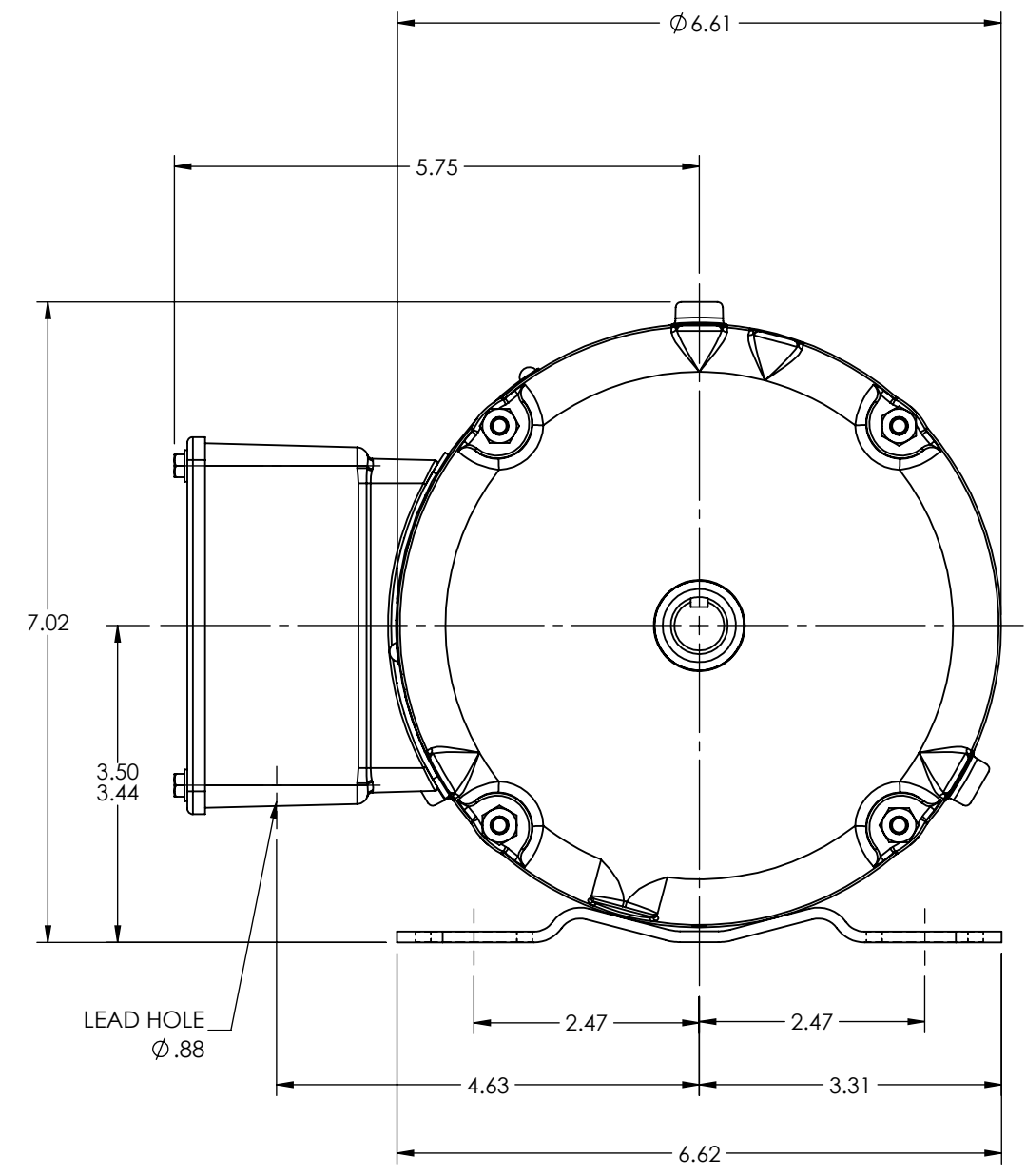
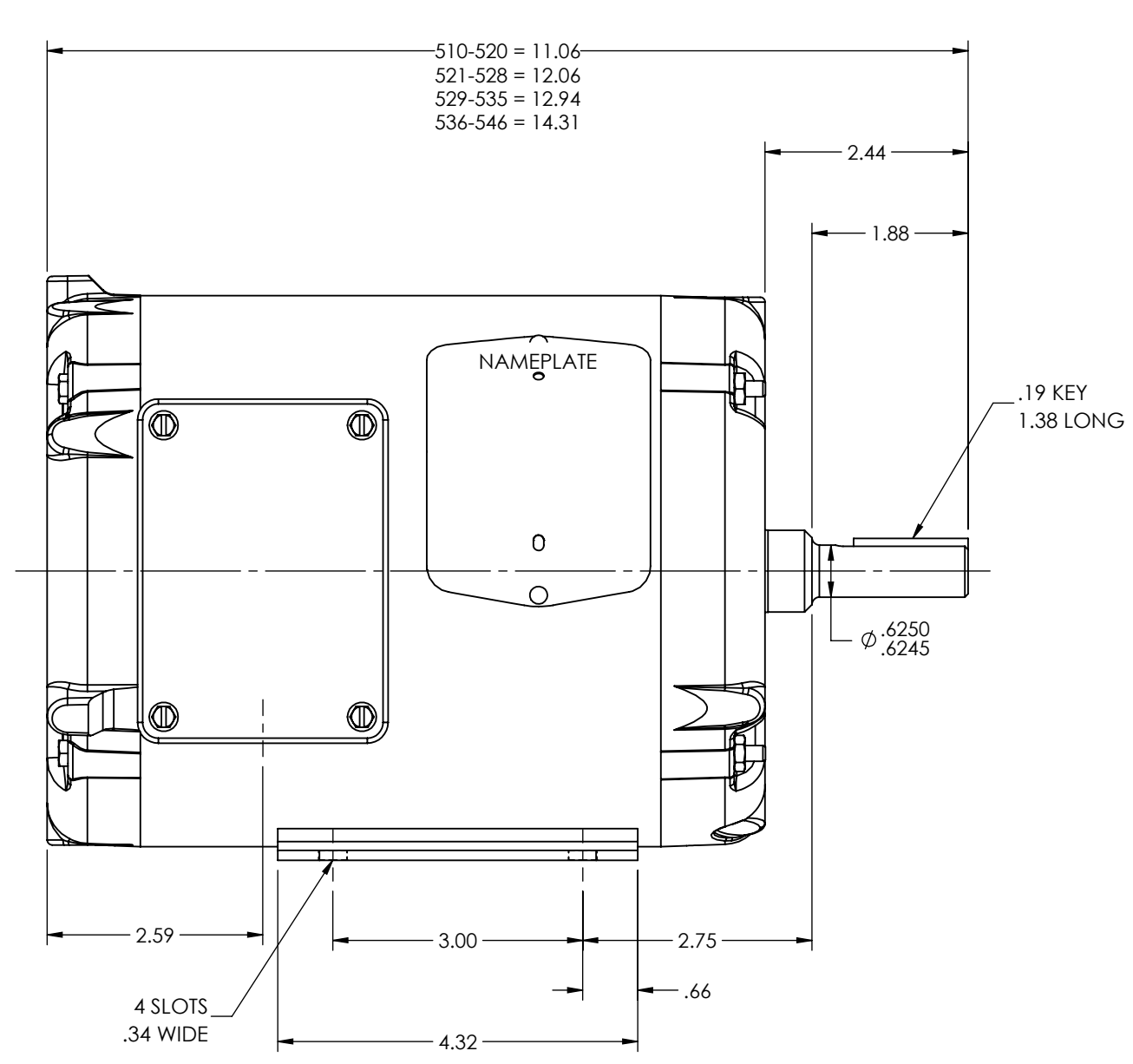


8 7 6 5 4 3 2 1

35LYA026



D
C
B
A

D
C
B
A

CUSTOMER IS RESPONSIBLE FOR DETERMINING THAT THE PRODUCT WILL PERFORM SUITABLY IN THE INTENDED APPLICATION

REV. DESC: UPDATE 3D MODEL BOM PER REV AB, NO CHG TO 2D PRINT			
REV: Q	VERSION: 07	REVISED: 10:02:27 03/11/2022	TDR: 000001187335
MODEL NO. 35LYA026			REF: -
BY: USBUFRA			B

BALDOR - RELIANCE®

STD HORZ 56 TENV 35M
SH 1 of 1

35LYA026

8 7 6 5 4 3 2 1