

BALDOR • RELIANCE

Customer information packet

NM3534

.33HP, 1725RPM, 3PH, 60HZ, 56, 3416M, TENV, F1

Class - None

Division - Not Applicable

Specifications

Enclosure	TENV
Frame	56
Frame Material	Steel
Frequency	60.00 Hz
Motor Letter Type	Three Phase
Output @ Frequency	.330 HP @ 60 HZ
Phase	3
Synchronous Speed @ Frequency	1800 RPM @ 60 HZ
Voltage @ Frequency	230.0 V @ 60 HZ 460.0 V @ 60 HZ
XP Class and Group	None
XP Division	Not Applicable
Agency Approvals	CSA UR
Ambient Temperature	40 °C
Auxillary Box	No Auxillary Box
Auxillary Box Lead Termination	None
Base Indicator	Rigid
Bearing Grease Type	Polyrex EM (-20F +300F)
Blower	None
Current @ Voltage	.700 A @ 460.0 V 1.400 A @ 230.0 V 1.550 A @ 208.0 V
Design Code	B
Drip Cover	No Drip Cover
Duty Rating	CONT
Efficiency @ 100% Load	70.0 %
Electrically Isolated Bearing	Not Electrically Isolated
Feedback Device	NO FEEDBACK
Front Face Code	Standard
Front Shaft Indicator	None
Heater Indicator	No Heater

Part detail

Revision	Q
Type	AC
Mech. spec.	34A076
Base	
Status	PRD/A
Elec. spec.	34WG0116
Layout	34LYA076
Eff. date	02-15-2018
CD Diagram	CD0005
Poles	04
Leads	9#18
Proprietary	False
Created date	01-01-0001

High Voltage Full Load Amps	0.7 a
Insulation Class	F
Inverter Code	Not Inverter
KVA Code	K
Lifting Lugs	No Lifting Lugs
Locked Bearing Indicator	No Locked Bearing
Motor Lead Exit	Ko Box
Motor Lead Quantity/Wire Size	9 @ 18 AWG
Motor Lead Termination	Flying Leads
Motor Standards	NEMA
Motor Type	3416M
Mounting Arrangement	F1
Number of Poles	4
Overall Length	10.25 IN
Power Factor	64
Product Family	General Purpose
Pulley End Bearing Type	Ball
Pulley Face Code	Standard
Pulley Shaft Indicator	Standard
Rodent Screen	None
Service Factor	1.35
Shaft Diameter	0.625 IN
Shaft Extension Location	Pulley End
Shaft Ground Indicator	No Shaft Grounding
Shaft Rotation	Reversible
Shaft Slinger Indicator	No Slinger
Speed	1725 rpm
Speed Code	Single Speed
Starting Method	Direct on line
Thermal Device - Bearing	None
Thermal Device - Winding	None
Vibration Sensor Indicator	No Vibration Sensor

Nameplate

NP1256L										
CAT.NO.	NM3534									
SPEC.	34A76-116G1									
HP	.33									
VOLTS	230/460									
AMP	1.4/.7									
RPM	1725									
FRAME	56		HZ	60		PH	3			
SER.F.	1.35	CODE	K	DES	B	CLASS	F			
NEMA-NOM-EFF	70	PF	64							
RATING	40C AMB-CONT									
CC		USABLE AT 208V						1.55		
DE	6203	ODE	6203							
ENCL	TENV	SN								
	SFA 1.5/.75									

Accessories

Part number	Description	Multiplier
34-171	C FACE KIT	A8

AC Induction Motor Performance Data

Record # 20815

Typical performance - not guaranteed values

Winding: 34WG0116-R008		Type: 3416M		Enclosure: TENV	
Nameplate Data			460 V, 60 Hz: High Voltage Connection		
Rated Output (HP)	.33		Full Load Torque	1 LB-FT	
Volts	230/460		Start Configuration	direct on line	
Full Load Amps	1.4/.7		Breakdown Torque	4.9 LB-FT	
R.P.M.	1725		Pull-up Torque	3.35 LB-FT	
Hz	60 Phase	3	Locked-rotor Torque	3.75 LB-FT	
NEMA Design Code	B KVA Code	K	Starting Current	4.3 A	
Service Factor (S.F.)	1.35		No-load Current	0.54 A	
NEMA Nom. Eff.	70 Power Factor	64	Line-line Res. @ 25°C	39.4 Ω	
Rating - Duty	40C AMB-CONT		Temp. Rise @ Rated Load	60°C	
S.F. Amps	1.5/.75		Temp. Rise @ S.F. Load	74°C	

Load Characteristics 460 V, 60 Hz, 0.33 HP

% of Rated Load	25	50	75	100	125	150	S.F.
Power Factor	28	41	52	61	68	73	70
Efficiency	50	65	72	75.5	77	77	77
Speed	1784	1771	1758	1744	1729	1713	1723
Line amperes	0.55	0.58	0.62	0.67	0.73	0.81	0.762

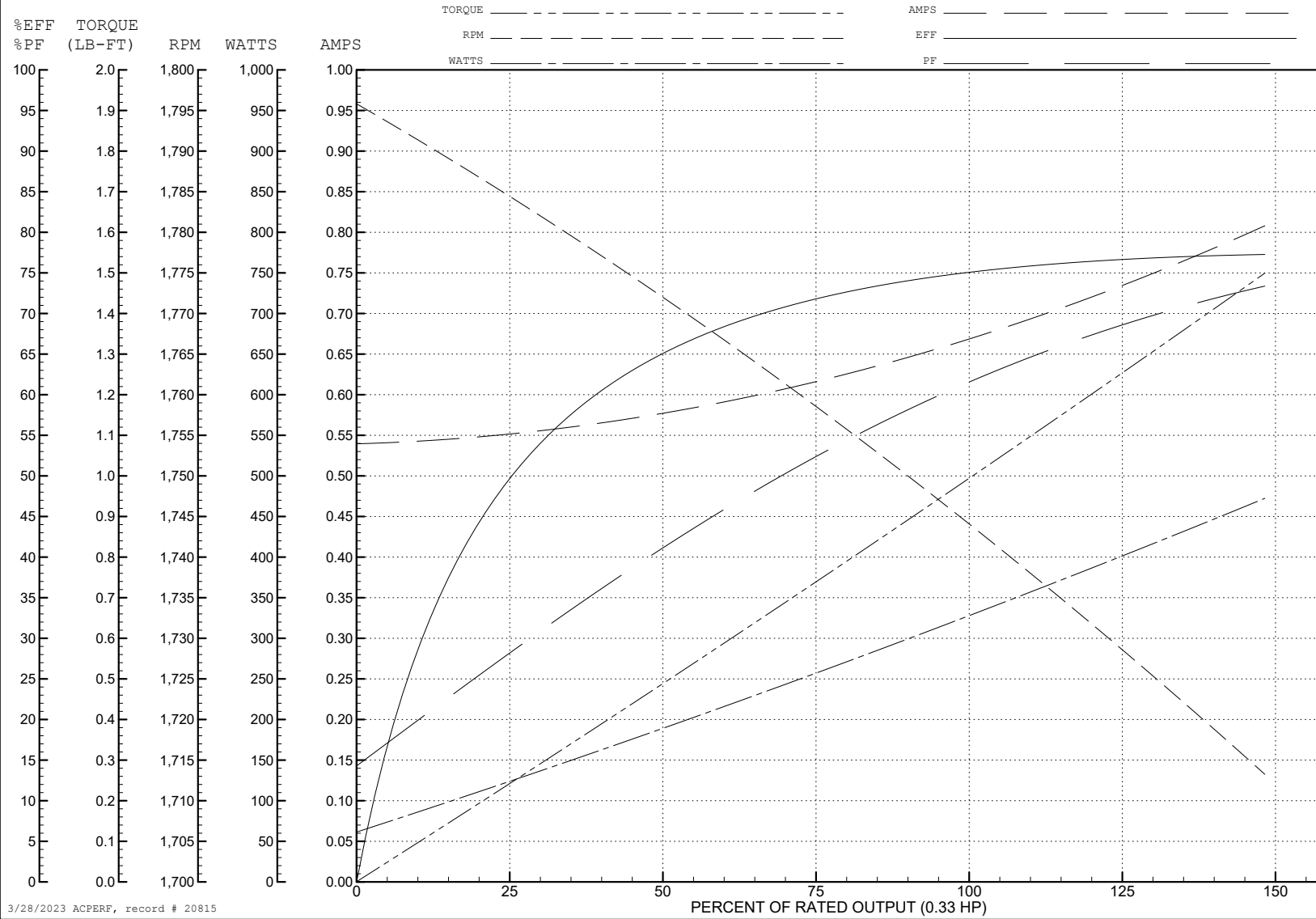
ABB Motors and Mechanical Inc.

WINDING # 34WG0116

0.33 HP 3 PH 60 HZ 1725 RPM 460 V 3416M

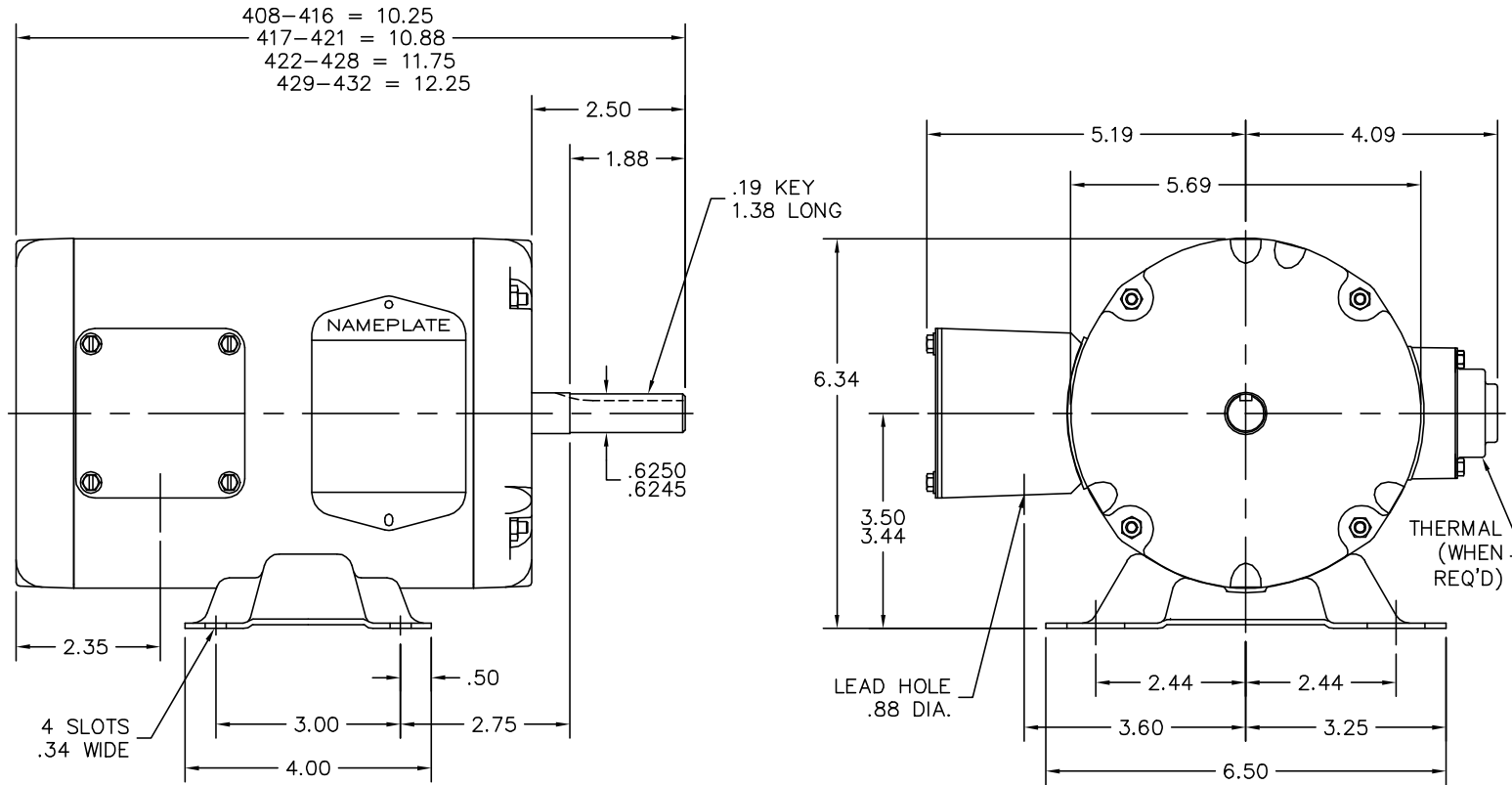
Typical performance - not guaranteed values.

TORQUES (LB-FT): PO=4.9 PU=3.35 LR=3.75 LRA=4.3



3/28/2023 ACPERF, record # 20815

34LYA076



CUSTOMER IS RESPONSIBLE FOR DETERMINING THAT THE PRODUCT WILL PERFORM SUITABLY IN THE INTENDED APPLICATION.

REV. DESC: REVISE 4 HOLES TO READ 4 SLOTS (PER BASE DWG)		
REV. LTR: F	VERSION: 04	TDR: 000001131303
FILE: \AAA\00026\165	REVISED: 02: 25: 31 01/30/2020	BY: ENELLGO
MTL: -		

BALDOR - RELIANCE®

STD HORZ MODEL 34M NEMA 56 TENV/TEAO

SH 1 of 1

34LYA076

CD0005

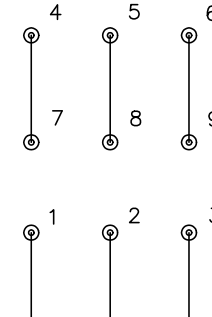


LOW VOLTAGE
(2Y)



LINE

HIGH VOLTAGE
(1Y)



LINE

NOTES:

1. INTERCHANGE ANY TWO LINE LEADS TO REVERSE ROTATION.
2. OPTIONAL THERMOSTATS ARE PROVIDED WHEN SPECIFIED.
3. ACTUAL NUMBER OF INTERNAL PARALLEL CIRCUITS MAY BE A MULTIPLE OF THOSE SHOWN ABOVE.
4. LEAD COLORS ARE OPTIONAL. LEADS MUST ALWAYS BE NUMBERED AS SHOWN.

CD0005

REV. DESC: REVISE TO SHOW OPTIONAL COLORS			
REV. LTR: E	BY: JLP	REVISED: 01/19/99 10:15	TDR: 0171435
S00000		FILE: AAA00005140	MDL: -
		MTL: -	

BALDOR ELECTRIC Co.

3PH, DV, 9 LEADS