



Customer information packet

NM3455

.25HP, 1140RPM, 3PH, 60HZ, 48, 3411M, TENV, F1

Class - None

Division - Not Applicable

Specifications

Enclosure	TENV
Frame	48
Frame Material	Steel
Frequency	60.00 Hz
Haz Area Class and Group	None
Haz Area Division	Not Applicable
Motor Letter Type	Three Phase
Output @ Frequency	.250 HP @ 60 HZ
Phase	3
Synchronous Speed @ Frequency	1200 RPM @ 60 HZ
Voltage @ Frequency	230.0 V @ 60 HZ 460.0 V @ 60 HZ
Agency Approvals	CSA UR
Ambient Temperature	40 °C
Auxillary Box	No Auxillary Box
Auxillary Box Lead Termination	None
Base Indicator	Rigid
Bearing Grease Type	Polyrex EM (-20F +300F)
Blower	None
Current @ Voltage	1.600 A @ 208.0 V 1.400 A @ 230.0 V .700 A @ 460.0 V
Design Code	B
Drip Cover	No Drip Cover
Duty Rating	CONT
Efficiency @ 100% Load	68.0 %
Electrically Isolated Bearing	Not Electrically Isolated
Feedback Device	NO FEEDBACK
Front Face Code	Standard
Front Shaft Indicator	None
Heater Indicator	No Heater

Part detail

Revision	T
Type	AC
Mech. spec.	34L051
Base	
Status	PRD/A
Elec. spec.	34WG5882
Layout	34LYL051
Eff. date	02-08-2024
CD Diagram	CD0005
Poles	06
Leads	9#18
Proprietary	False
Created date	01-01-0001

High Voltage Full Load Amps	0.7 a
Insulation Class	F
Inverter Code	Not Inverter
KVA Code	K
Lifting Lugs	No Lifting Lugs
Locked Bearing Indicator	No Locked Bearing
Motor Lead Exit	Ko Box
Motor Lead Quantity/Wire Size	9 @ 18 AWG
Motor Lead Termination	Flying Leads
Motor Standards	NEMA
Motor Type	3411M
Mounting Arrangement	F1
Number of Poles	6
Overall Length	9.62 IN
Power Factor	51
Product Family	General Purpose
Pulley End Bearing Type	Ball
Pulley Face Code	Standard
Pulley Shaft Indicator	Standard
Rodent Screen	None
Service Factor	1.35
Shaft Diameter	0.500 IN
Shaft Extension Location	Pulley End
Shaft Ground Indicator	No Shaft Grounding
Shaft Rotation	Reversible
Shaft Slinger Indicator	No Slinger
Speed	1140 rpm
Speed Code	Single Speed
Starting Method	Direct on line
Thermal Device - Bearing	None
Thermal Device - Winding	None
Vibration Sensor Indicator	No Vibration Sensor
Winding Thermal 1	None
Winding Thermal 2	None

Nameplate

NP1256L									
CAT.NO.	NM3455								
SPEC.	34L51-5882								
HP	.25								
VOLTS	230/460								
AMP	1.4/.7								
RPM	1140								
FRAME	48		HZ	60		PH	3		
SER.F.	1.35	CODE	K	DES	B	CLASS	F		
NEMA-NOM-EFF	68	PF	51						
RATING	40C AMB-CONT								
CC									
DE	6203		ODE	6203					
ENCL	TENV	SN							
	SFA 1.5/.75								

AC Induction Motor Performance Data

Record # 50804

Typical performance - not guaranteed values

Winding: 34WG5882-R006		Type: 3411M	Enclosure: TENV	
Nameplate Data			460 V, 60 Hz: High Voltage Connection	
Rated Output (HP)	.25	Full Load Torque	1.15 LB-FT	
Volts	230/460	Start Configuration	direct on line	
Full Load Amps	1.4/.7	Breakdown Torque	3.8 LB-FT	
R.P.M.	1140	Pull-up Torque	2.9 LB-FT	
Hz	60 Phase	3	Locked-rotor Torque	3 LB-FT
NEMA Design Code	B KVA Code	K	Starting Current	2.5 A
Service Factor (S.F.)	1.35	No-load Current	0.57 A	
NEMA Nom. Eff.	68 Power Factor	51	Line-line Res. @ 25°C	83 Ω
Rating - Duty	40C AMB-CONT	Temp. Rise @ Rated Load		
S.F. Amps	1.5/.75	Temp. Rise @ S.F. Load		
		Locked-rotor Power Factor	68.8	
		Rotor inertia	0.0261 LB-FT ²	

Load Characteristics 460 V, 60 Hz, 0.25 HP

% of Rated Load	25	50	75	100	125	150	S.F.
Power Factor	24	35	44	51	58	65	61
Efficiency	44	57	64.2	67.4	68.1	68	68.1
Speed	1184	1171	1157	1139	1122	1109	1117
Line amperes	0.57	0.6	0.63	0.68	0.73	0.78	0.75

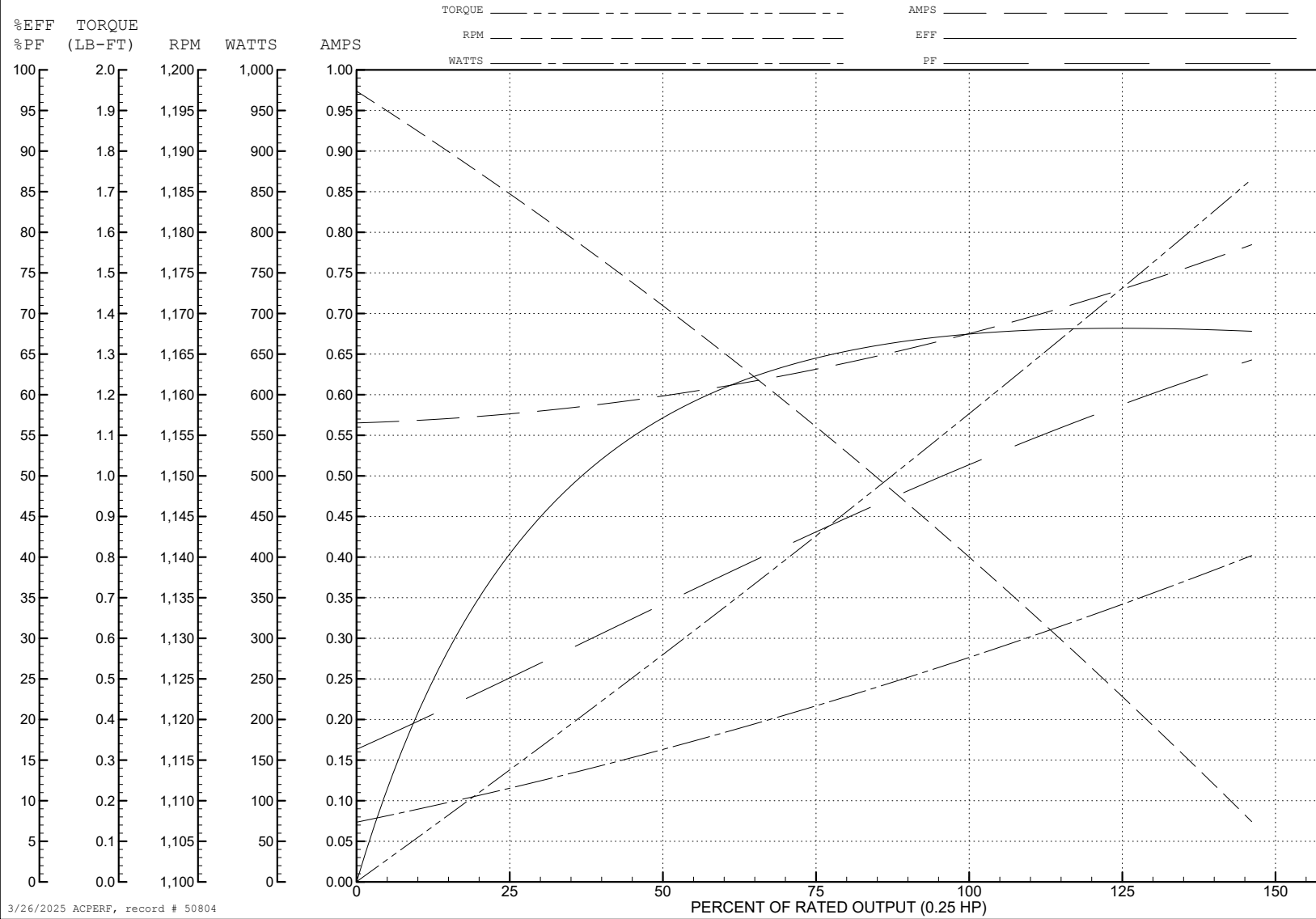
ABB Motors and Mechanical Inc.

WINDING # 34WG5882

0.25 HP 3 PH 60 HZ 1140 RPM 460 V 3411M

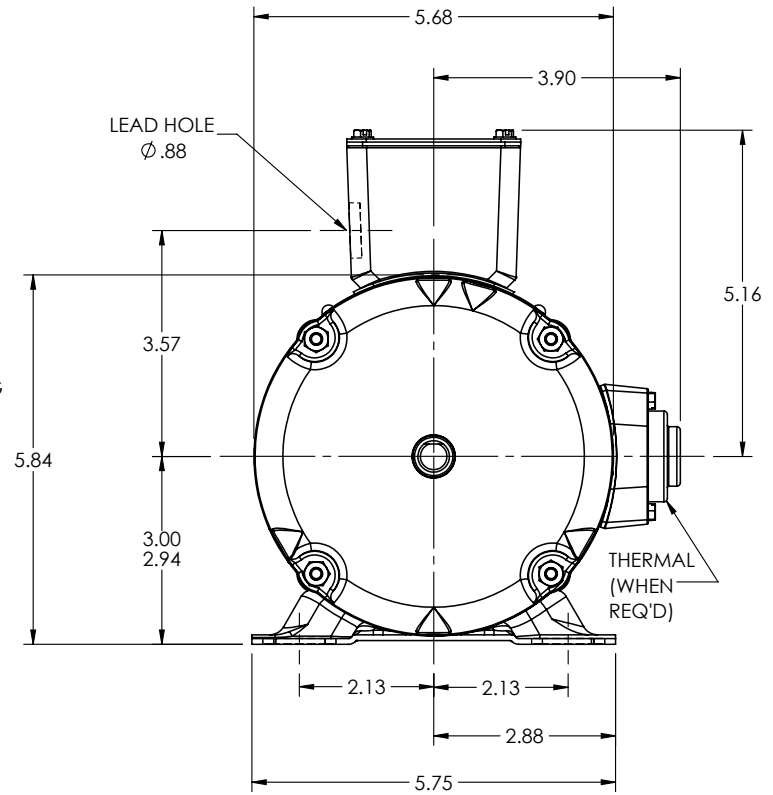
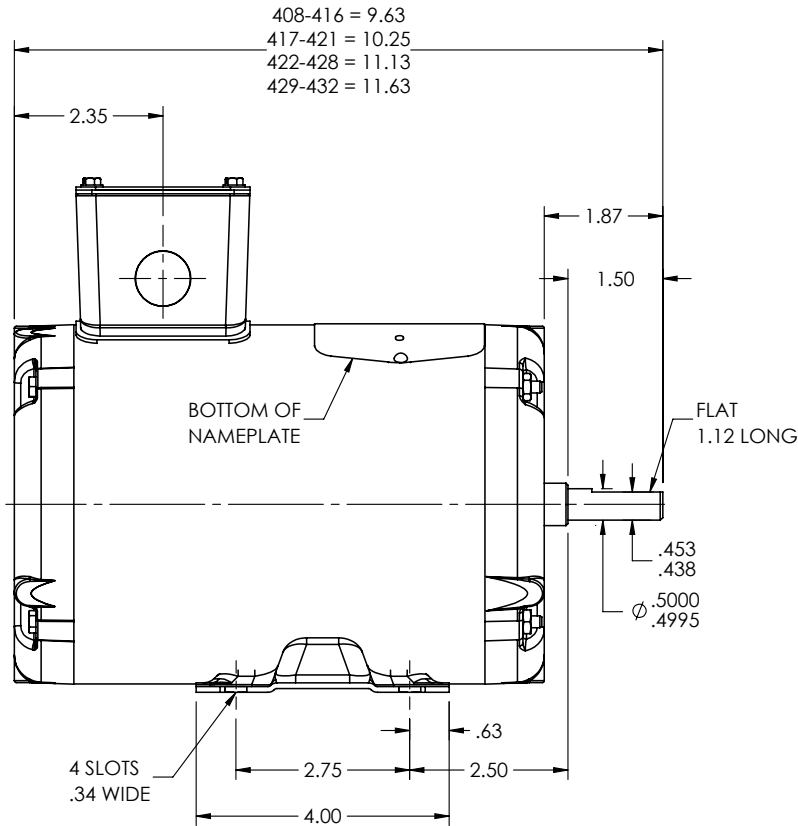
Typical performance - not guaranteed values.

TORQUES (LB-FT): PO=3.8 PU=2.9 LR=3 LRA=2.5



3/26/2025 ACPERF, record # 50804

34LYL051



CUSTOMER IS RESPONSIBLE FOR DETERMINING THAT THE PRODUCT WILL PERFORM SUITABLY IN THE INTENDED APPLICATION

REV. DESC: LOAD TO SOLIDWORKS

REV: D

VERSION: 03

REVISED: 03:17:34 08/16/2022

TDR: 000001194274

34LYL051

MODEL NO. 34LYL051

BY: ENFRAJ0

REF: -

BALDOR - RELIANCE®

HORZ MODEL 34M NEMA 48 TENV W/KOBX & NAMEPLATE @12:00

34LYL051

CD0005



LOW VOLTAGE
(2Y)



LINE

HIGH VOLTAGE
(1Y)



LINE

NOTES:

1. INTERCHANGE ANY TWO LINE LEADS TO REVERSE ROTATION.
2. OPTIONAL THERMOSTATS ARE PROVIDED WHEN SPECIFIED.
3. ACTUAL NUMBER OF INTERNAL PARALLEL CIRCUITS MAY BE A MULTIPLE OF THOSE SHOWN ABOVE.
4. LEAD COLORS ARE OPTIONAL. LEADS MUST ALWAYS BE NUMBERED AS SHOWN.

CD0005

REV. DESC: REVISE TO SHOW OPTIONAL COLORS			
REV. LTR: E	BY: JLP	REVISED: 01/19/99 10:15	TDR: 0171435
S00000		FILE: AAA00005140	MDL: -
		MTL: -	

BALDOR ELECTRIC Co.

3PH, DV, 9 LEADS