

33LY1922

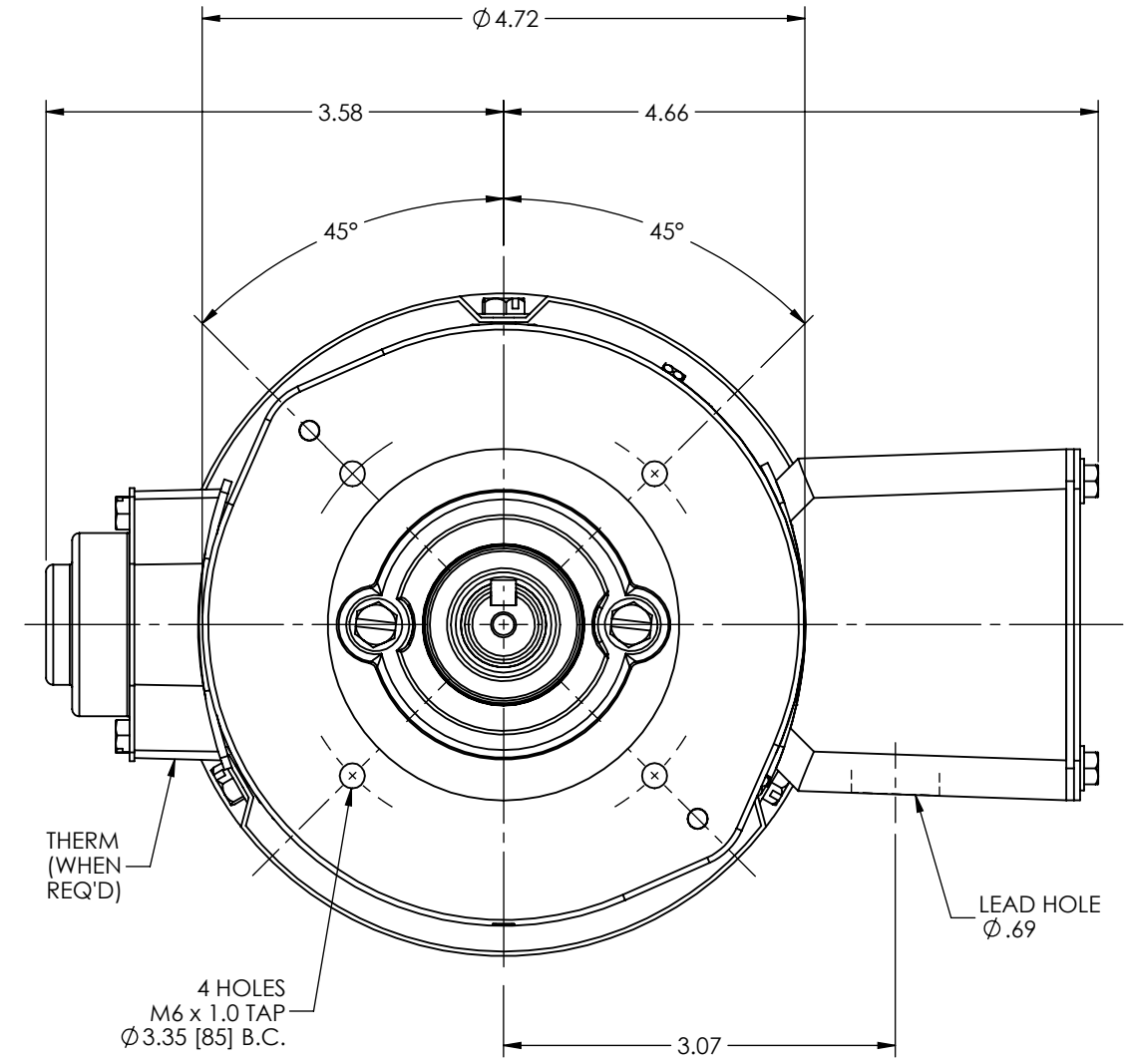
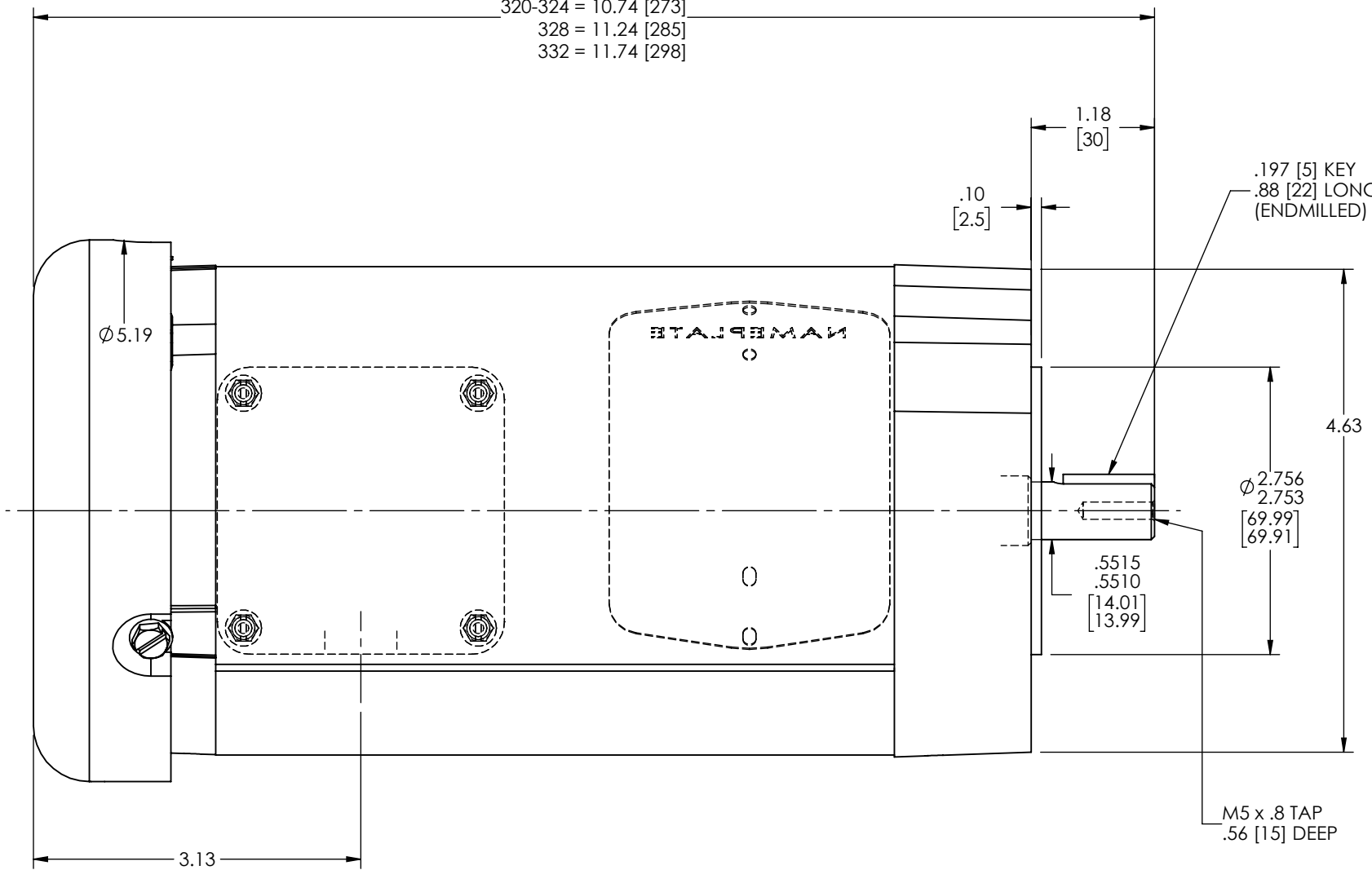
D

C

B

A

310-316 = 9.74 [247]
320-324 = 10.74 [273]
328 = 11.24 [285]
332 = 11.74 [298]

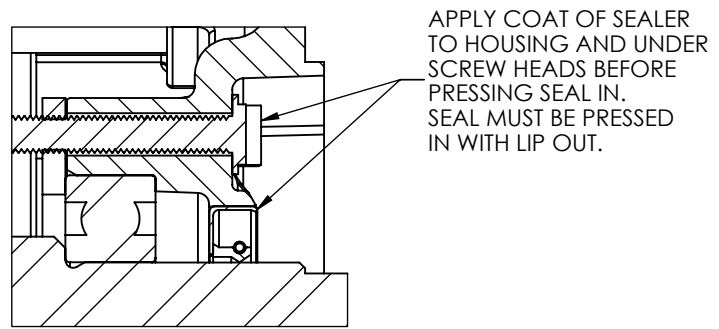


D

C

B

A



APPLY COAT OF SEALER TO HOUSING AND UNDER SCREW HEADS BEFORE PRESSING SEAL IN. SEAL MUST BE PRESSED IN WITH LIP OUT.

DRIVE END DETAIL

CUSTOMER IS RESPONSIBLE FOR DETERMINING THAT BALDOR'S PRODUCT WILL PERFORM SUITABLY IN THE INTENDED APPLICATION

REV. DESC: ADD KOBX LEAD HOLE NOTE			
REV: K	VERSION: 07	REVISED: 11:00:31 04/05/2024	TDR: 000001227712
MODEL NO. 33LY1922			REF: -
BY: ENJEFD0			B

BALDOR

STD VERT 33M IEC D71C TEFC F-2 MTG W/SEAL

33LY1922

8 7 6 5 4 3 2 1

8 7 6 5 4 3 2 1